

Product Specs Sheets

Cover Page

Nova 100

Features

- Bathroom Sink
- Made of Ceramic
- Ceramic White
- With Overflow
- Wall Mount or Countertop (Vessel) Installation
- Available with One or Three (4" or 8" Spread) Faucet Holes
- Made in Italy



Related Items:

- WSBC 53991 | Push Waste Drain
- WSBC 53922 | Decorative Trap

Finishes:

 Ceramic White

SKU# | Options:

- Nova 100.01 | Single Faucet Hole
- Nova 100.03-4 | Three Faucet Holes 4" Spread
- Nova 100.03-8 | Three Faucet Holes 8" Spread

Codes & Standards:

- ADA Compliant

* WS Bath Collections reserves the right to revise dimensions or information on this sheet without notice

Collection |
Nova

Model |
Nova 100

Dimensions Metric

1 inch = 2.54 cm

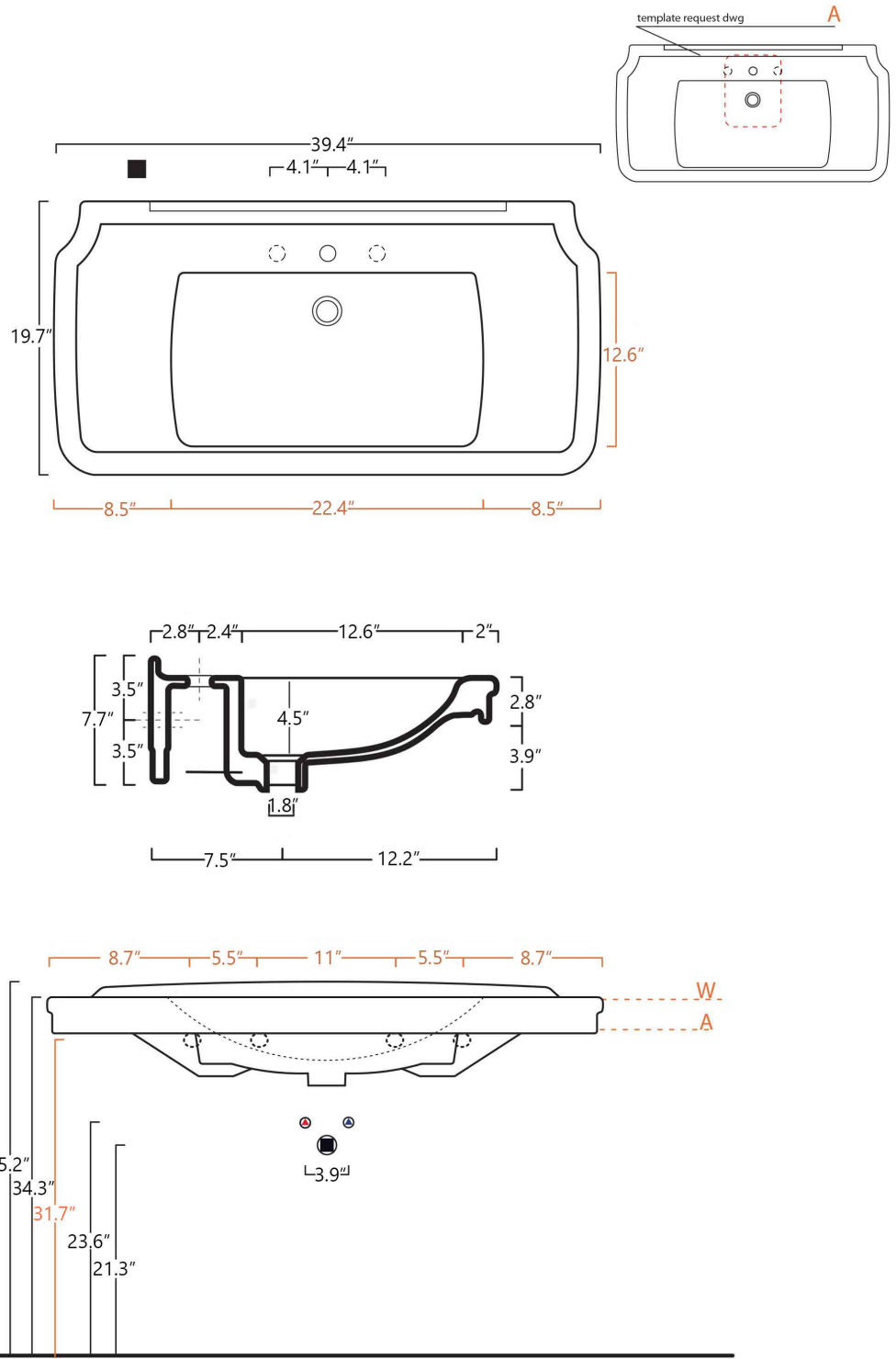
1 inch = 25.4 mm



1051 Lea Drive - Collegeville, PA 19426
Tel. 215 513 9400 - Fax 610 831 0215

www.ws bathcollections.com - info@ws bathcollections.com

- = all glazed sides
- = unglazed behind



A = freestanding
W = wall hung

Collection
Nova

Model |
Nova 100

Dimensions Metric
1 inch = 2.54 cm
1 inch = 25.4 mm

WS®
BATH
COLLECTIONS

1051 Lea Drive - Collegeville, PA 19426
Tel. 215 513 9400 - Fax 610 831 0215
www.ws bathcollections.com - info@ws bathcollections.com

We recommend the following items that work with your sink.

Nova 100

TRAPS



WSBC 53922
Our best seller

Polished Chrome
WSBC 53922.29

Matte Black
WSBC 53922.22



WSBC 5392

Polished Chrome
WSBC 5392.29



WSBC 53925

Polished Chrome
WSBC 53925.29



WSBC 53921
Space saving

Polished Chrome
WSBC 53921.29

Matte Black
WSBC 53921.22

DRAINS



WSBC 53991
Push waste drain (click clack)
with overflow

Polished Chrome
WSBC 53991.29

Glossy White
WSBC 53991.09

Glossy Black
WSBC 53991.18

Matte White
WSBC 53991.26

Matte Black
WSBC 53991.22

MOUNTING HARDWARE

Wall-mount installation

Vessel/ countertop installation



Bolts



Silicone (optional)

Collection
Nova

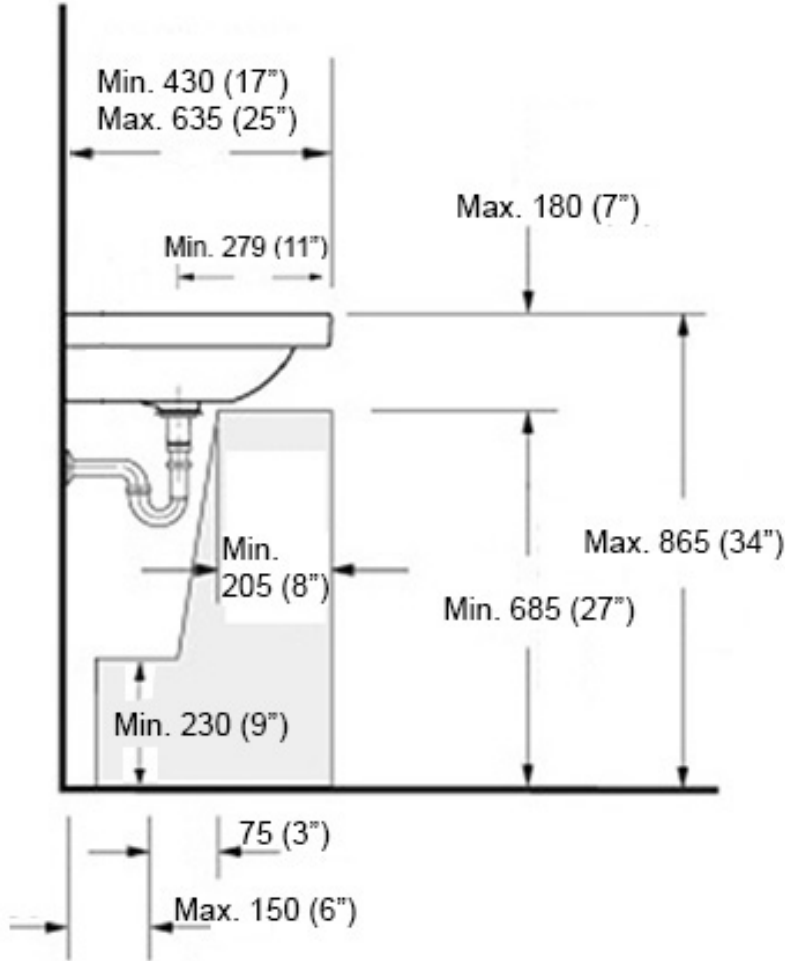
Model |
Nova 100

Dimensions Metric
1 inch = 2.54 cm
1 inch = 25.4 mm


WS[®]
BATH
COLLECTIONS

1051 Lea Drive - Collegeville, PA 19426
Tel. 215 513 9400 - Fax 610 831 0215
www.ws bathcollections.com - info@ws bathcollections.com

Recommended ADA Installation



Note: ADA Compliant when installed in accordance with ADA guidelines

<p>Collection Nova</p>	<p>Model Nova 100</p>	<p>Dimensions Metric 1 inch = 2.54 cm 1 inch = 25.4 mm</p>	 <p>1051 Lea Drive - Collegeville, PA 19426 Tel. 215 513 9400 - Fax 610 831 0215 www.ws bathcollections.com - info@ws bathcollections.com</p>
-----------------------------------	------------------------------------	--	---