

# Installation Guide | Toilets & Bidets

## Index

Toilets & Bidet	Page
Bidet	1
Wall-Hung WC	2
Tank (Geberit) for Wall-Hung WC	3-13

### Note:

Installation guides show general instructions and may not depict your exact model in the figures and graphics. WS Bath Collections accepts no liability for any damage to the property; floor, walls, plumbing, sink, or personal injury during installation.

If you have any questions or need any additional help please do not hesitate to contact us.

**Installation  
Instructions**

**Model**  
**Вқққққ( 'Df gvs**

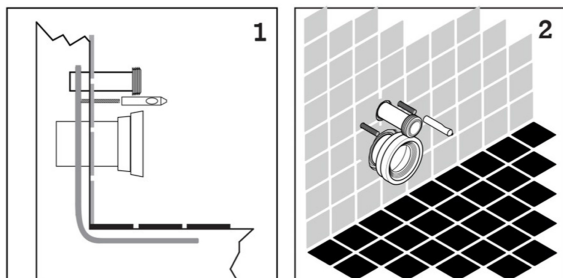
Dimensions Metric

*1 inch = 2.54 cm*  
*1 inch = 25.4 mm*

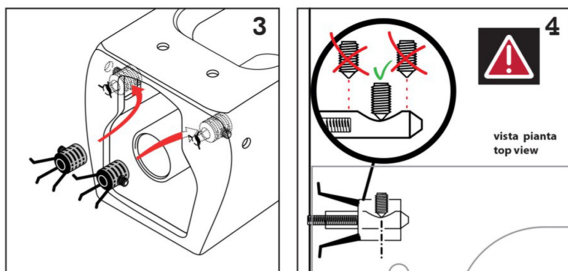
**WS<sup>®</sup>**  
**BATH  
COLLECTIONS**

1051 Lea Drive - Collegeville, PA 19426  
Tel. 215 513 9400 - Fax 610 831 0215  
[www.ws bathcollections.com](http://www.ws bathcollections.com) - [info@ws bathcollections.com](mailto:info@ws bathcollections.com)

## WALL HUNG SANITARY-WARES WITH SPECIAL FIXINGS

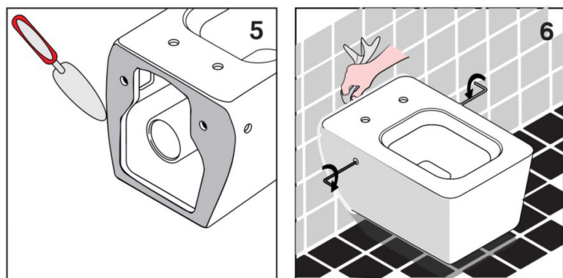


**FIG.1-2**  
PREDIPOSIZIONE SECONDO LA SCHEDA TECNICA DI RIFERIMENTO  
SET UP AS SHOWN IN THE ASSEMBLY GUIDE



**FIG3**  
INSERIRE I FISSAGGI IN DOTAZIONE COME DA ILLUSTRAZIONE  
INSERT THE SUPPLIED FIXING SCREWS AS SHOWN IN THE PICTURE

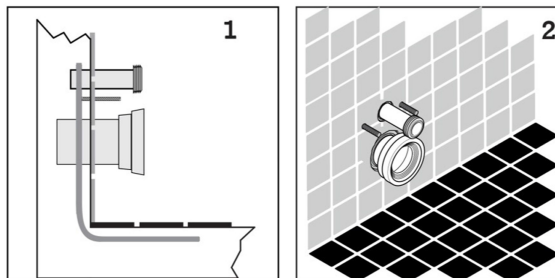
**FIG4**  
FARE ATTENZIONE, LA VITE DEVE ALLOGGIARE NELL'APPOSITO INCAVO, COME DA DISEGNO  
WARNING: ENSURE THE SCREW IS FLUSH AS SHOWN IN THE PICTURE



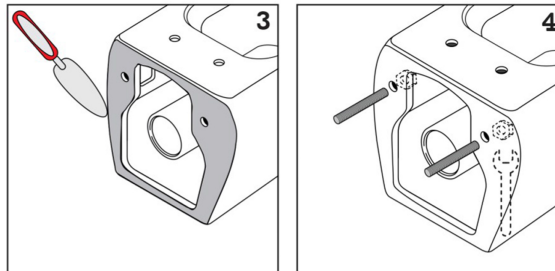
**FIG5**  
USARE DELLA MALTA O CEMENTO BIANCO SUL RETRO DEL SANITARIO SI DA SPESORARE E LIVELLARE EVENTUALI DIFFORMITÀ DELLA PARETE  
USE MORTAR OR WHITE CEMENT ON THE BACK SIDE TO LEVEL ANY UNEVEN SURFACE

**FIG6**  
TIRARE FINO A FAR ADERIRE IL SANITARIO A PARETE SENZA FORZARE, ED ELIMINARE LA MALTA O IL CEMENTO IN ECCESSO, DOPO, CHE IL COMPOSTO È INDURITO, FINIRE DI AVVITARE SENZA ESAGERARE EVITANDO COSÌ DI DANNEGGIARE LA CERAMICA.  
ENSURE ALL SCREWS ARE TIGHTENED SECURELY BUT DO NOT FORCE THEM AFTER THE MORTAR OR WHITE CEMENT HAS SET, FINISH SCREWING THE CERAMIC PRODUCT IN PLACE

## WALL HUNG SANITARY-WARES WITH STANDARD FIXINGS

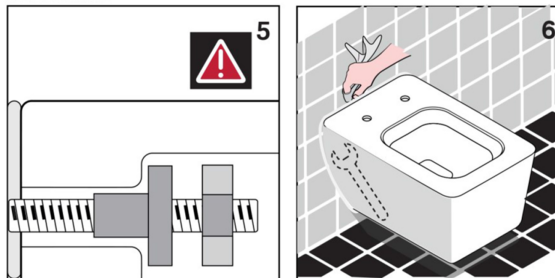


**FIG.1-2**  
PREDIPOSIZIONE SECONDO LA SCHEDA TECNICA DI RIFERIMENTO  
SET UP AS SHOWN IN THE ASSEMBLY GUIDE



**FIG3**  
USARE DELLA MALTA O CEMENTO BIANCO SUL RETRO DEL SANITARIO SI DA SPESORARE E LIVELLARE EVENTUALI DIFFORMITÀ DELLA PARETE  
USE MORTAR OR WHITE CEMENT ON THE BACK SIDE TO LEVEL ANY UNEVEN SURFACE

**FIG4**  
INSERIRE I FISSAGGI COME DA ILLUSTRAZIONE  
INSERT FIXING SCREWS AS SHOWN IN THE PICTURE



**FIG5**  
FARE ATTENZIONE, TRA IL DADO IN METALLO E LA CERAMICA, INSERIRE L'APPOSITA RONDELLA IN PLASTICA COME DA DISEGNO  
WARNING: INSERT A WASHER BETWEEN THE METAL NUT AND THE CERAMIC PRODUCT AS SHOWN IN THE PICTURE

**FIG6**  
TIRARE FINO A FAR ADERIRE IL SANITARIO A PARETE SENZA FORZARE, ED ELIMINARE LA MALTA O IL CEMENTO IN ECCESSO, DOPO, CHE IL COMPOSTO È INDURITO, FINIRE DI AVVITARE SENZA ESAGERARE EVITANDO COSÌ DI DANNEGGIARE LA CERAMICA.  
ENSURE ALL SCREWS ARE TIGHTENED SECURELY BUT DO NOT FORCE THEM AFTER THE MORTAR OR WHITE CEMENT HAS SET, FINISH SCREWING THE CERAMIC PRODUCT IN PLACE

Collection  
Bidets

Model |  
Bidets Installation  
Instructions

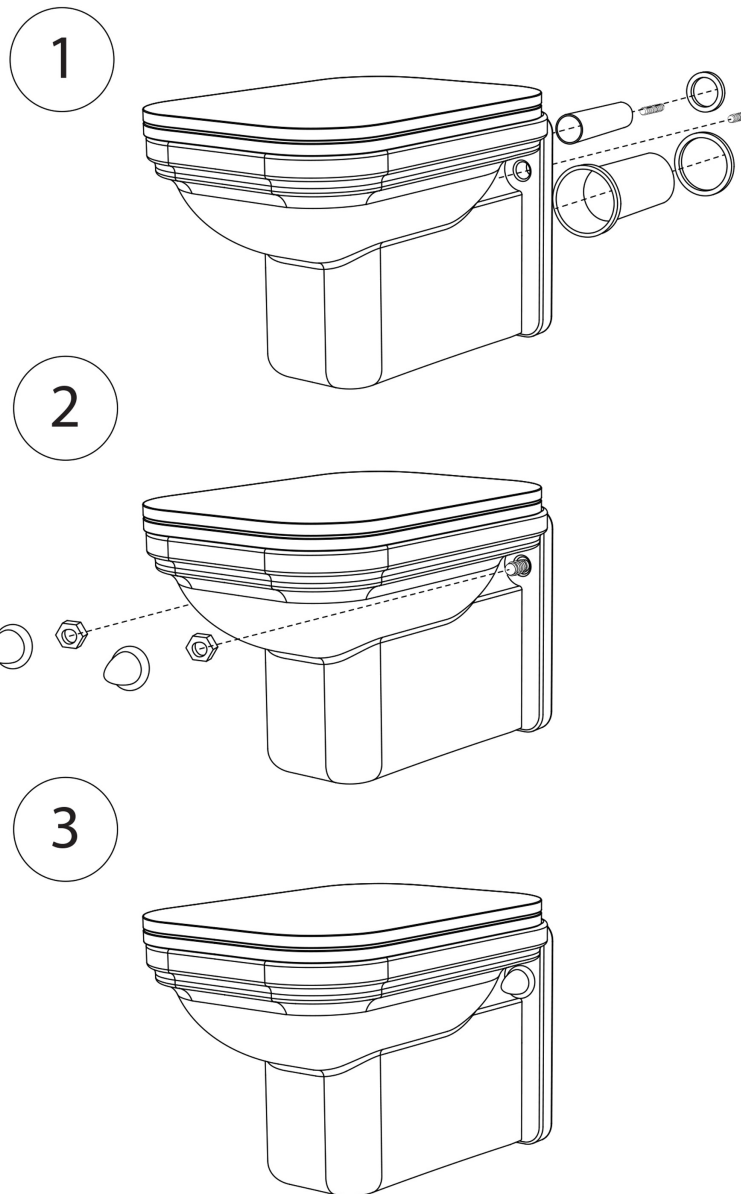
Dimensions Metric

1 inch = 2.54 cm  
1 inch = 25.4 mm

**WS**<sup>®</sup>  
BATH  
COLLECTIONS

1051 Lea Drive - Collegetown, PA 19426  
Tel. 215 513 9400 - Fax 610 831 0215

[www.ws bathcollections.com](http://www.ws bathcollections.com) - [info@ws bathcollections.com](mailto:info@ws bathcollections.com)



Collection  
Wall-Hung WC

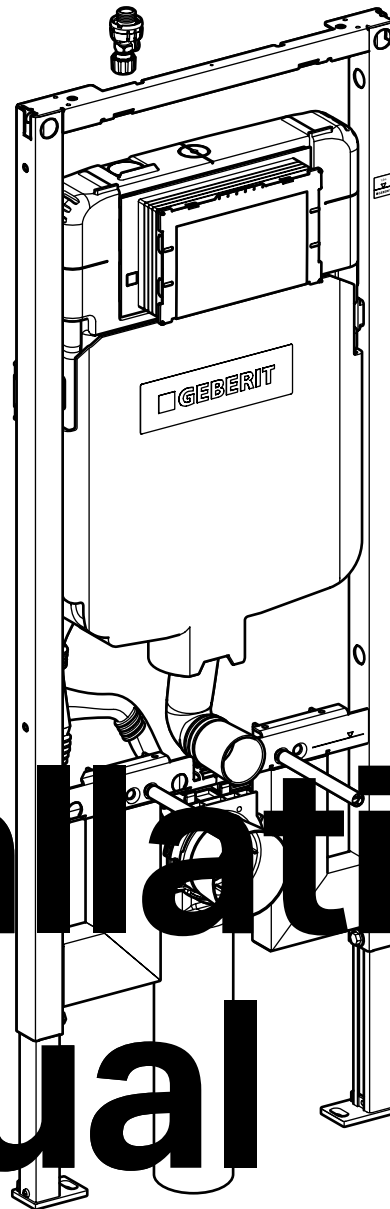
Model |  
WC Installation  
Instructions

Dimensions Metric

1 inch = 2.54 cm  
1 inch = 25.4 mm

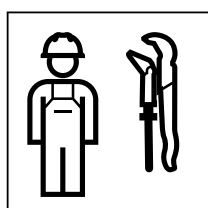
**WS**<sup>®</sup>  
BATH  
COLLECTIONS

1051 Lea Drive - Collegeville, PA 19426  
Tel. 215 513 9400 - Fax 610 831 0215  
[www.ws bathcollections.com](http://www.ws bathcollections.com) - [info@ws bathcollections.com](mailto:info@ws bathcollections.com)



# Installation Manual

**Montageanleitung**  
**Instructions de montage**  
**Istruzioni per il montaggio**





## Product Data

### Product Specifications

Geberit Model No. / Flush volume:

- 111.798.00.1 / 1.6/0.8 gpf (6.0/3.0 lpf)
- 111.597.00.1 / 1.28/0.8 gpf (4.8/3.0 lpf)
- For installing 2-hole stud mounted wall-hung washdown water closet fixtures with rear water inlet and waste outlet
- For installation within or in front of drywall panels
- For installation in front of solid walls
- Fits within minimum 3 1/2" (90 mm) framing wall or plumbing chase
- Adjustable for fixture seat heights from 15" to 19" (381 to 483 mm)
- For flush actuator plates Sigma

cUPC®

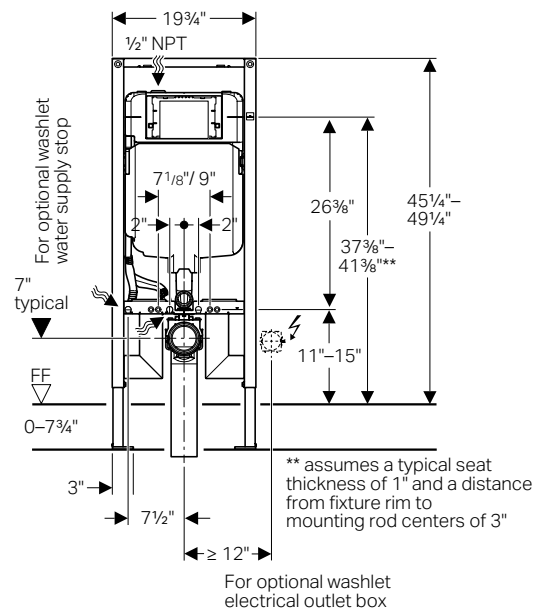
### Features

- Anti-siphon fill valve
- Impact resistant high density polyethylene (HDPE) tank, insulated to prevent condensation
- 16-gauge, powder-coated, structural steel tubing rated to 880 lbs. (400 kg) without damage to finished wall or carrier unit
- Includes installation and rough-in materials

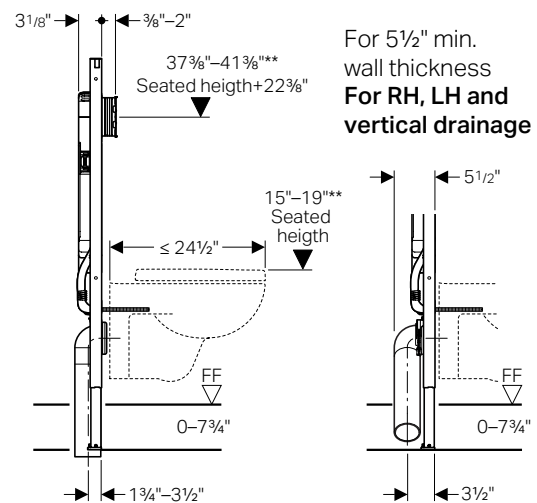
### Warranty

Limited lifetime warranty on tank and carrier.  
10 year warranty on fill valve and flush valve.  
One year warranty on actuator plate.

## Installation Dimensions



For 3 1/2" max.  
wall thickness  
**Vertical drainage only**



For 5 1/2" min.  
wall thickness  
**For RH, LH and  
vertical drainage**

## Material Determination

Recommended material for wall surface construction:

- Gypsum / green board
- Cement board
- Tile backer board
- Ceramic tile surface

**i** Minimum wall material thickness 3/8" (10 mm)



## Installation

### Installation Requirements

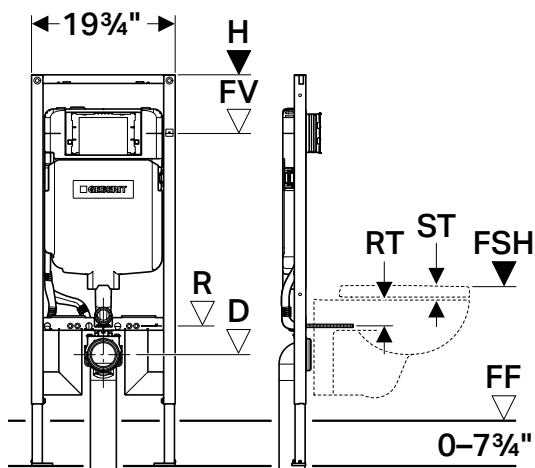
To install tank and carrier, a 2 x 4" wood frame or metal frame construction is required. Studs must be placed 19 <sup>3</sup>/<sub>4</sub>" apart (clearance) where carrier will be positioned inside the wall.

### Prepare

- FF: Finished Floor Height  
 FSH: Finished Seated Height  
 ST: Seat thickness, based on seat model  
 RT: Distance from fixture rim to mounting centers, based on ceramic model  
 H: Frame Height, subject to conditions below:  
 $H = FSH - RT - ST + 34\frac{1}{4}"$  (870)

These values are not needed at roughing in, but may be useful as alternate references:

- FV: Flush Valve Height (see below)  
 R: Rod Height, based on ceramic model and FSH (see below)  
 D: Drain outlet, based on ceramic model and FSH (see below)



For convenience, values for a "typical" situation are included in the following chart:

FOR REFERENCE

Finished Seat Height (FSH)	Frame Height (H)	Flush Valve Height (FV)	Rod Height (R)	Drain Outlet Height (D)
15	45 <sup>1</sup> / <sub>4</sub>	37 <sup>3</sup> / <sub>8</sub>	11	7
16	46 <sup>1</sup> / <sub>4</sub>	38 <sup>3</sup> / <sub>8</sub>	12	8
17	47 <sup>1</sup> / <sub>4</sub>	39 <sup>3</sup> / <sub>8</sub>	13	9
18	48 <sup>1</sup> / <sub>4</sub>	40 <sup>3</sup> / <sub>8</sub>	14	10
19	49 <sup>1</sup> / <sub>4</sub>	41 <sup>3</sup> / <sub>8</sub>	15	11

\*\* assumes a typical seat thickness of 1" and a distance from fixture rim to mounting rod centers of 3". Always refer to the manufacturer specification sheet for the latest information!  
 These dimensions are used for later, after the frame is installed:

RC: Rod Center-to-Center Distance, based on ceramic model

Other calculations (for reference only)

$$FV = FSH - RT - ST + 26\frac{3}{8}"$$
 (670)

$$R = FSH - RT - ST$$

$$D = FSH - RT - ST - 4"$$
 (100)

or

$$FV = R + 26\frac{3}{8}"$$
 (670)

$$H = R + 34\frac{1}{4}"$$
 (870)

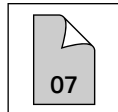
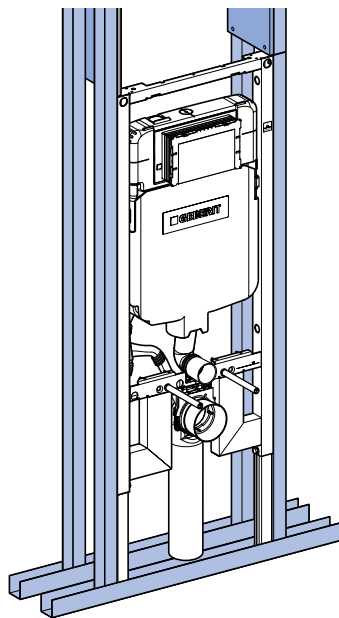
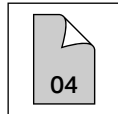
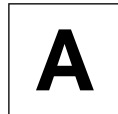
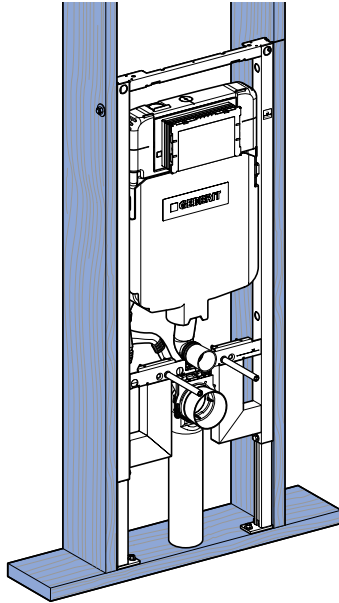
$$D = R - 4"$$
 (100)



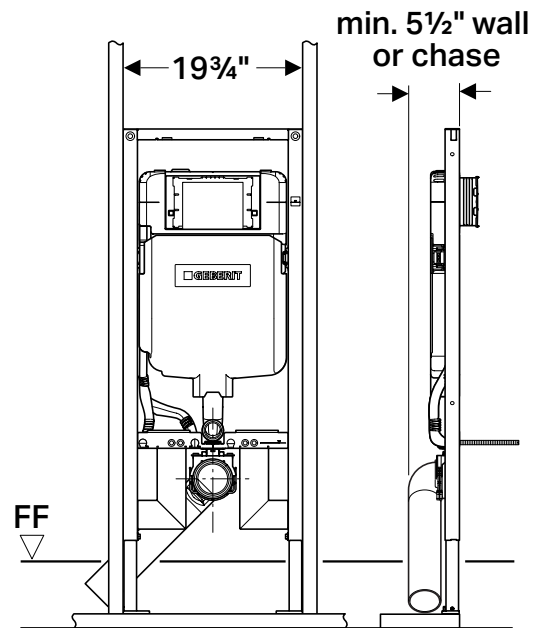
All dimensions Above Finished Floor (AFF)

# 1

## Installation Overview

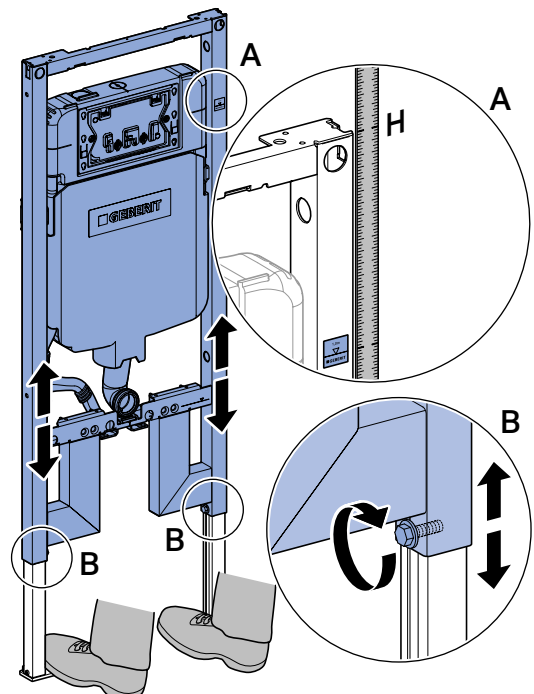
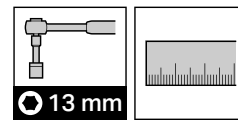


# A

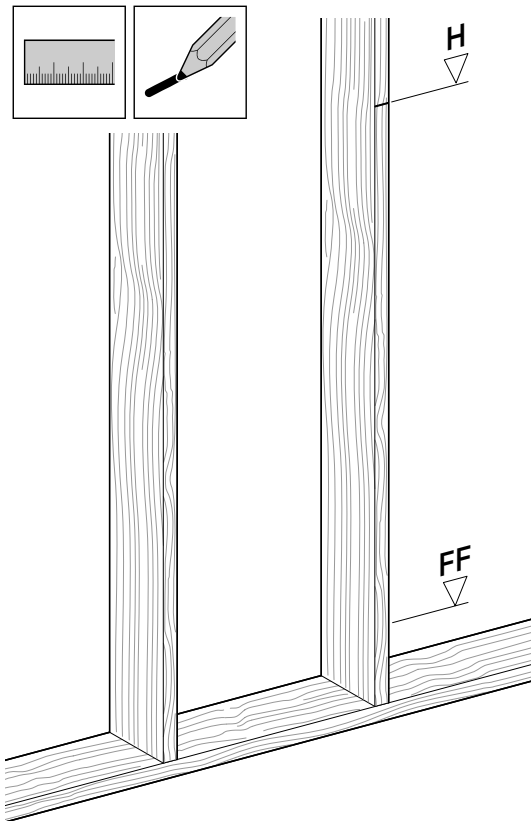


**i** RH, LH or vertical drainage runs allowed with 5 1/2" minimum wall thickness.  
Vertical drainage run only for 3 1/2" maximum walls.

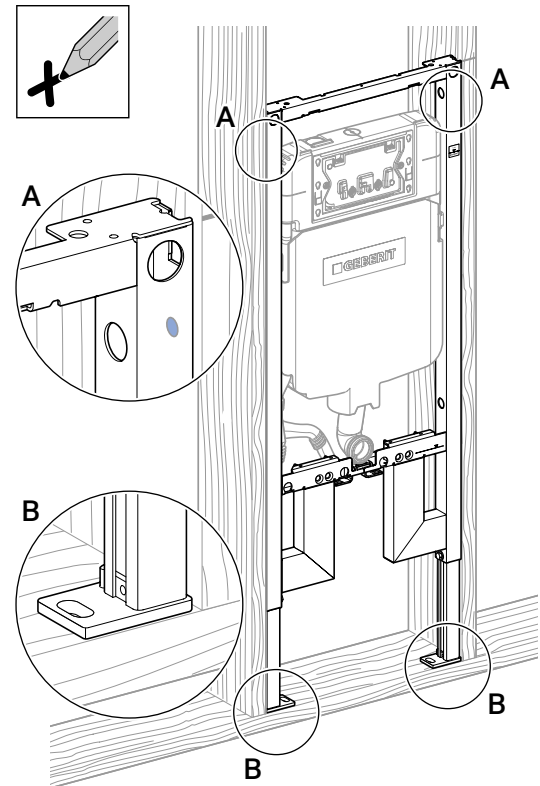
# 1



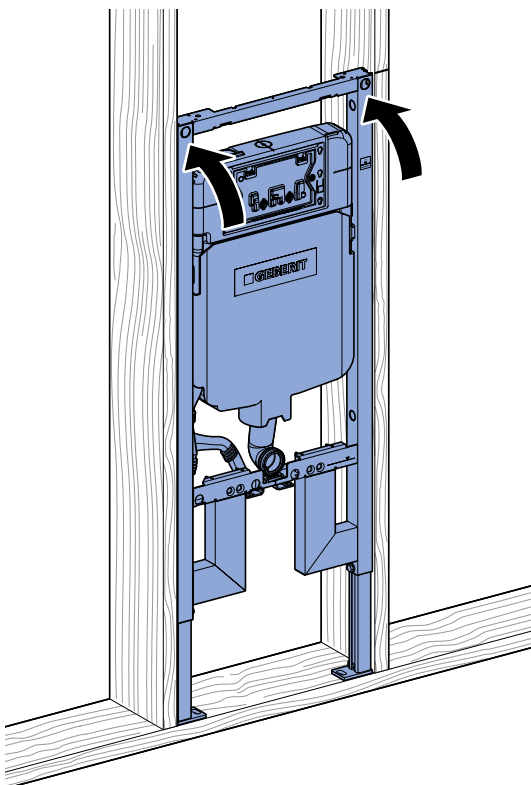
2



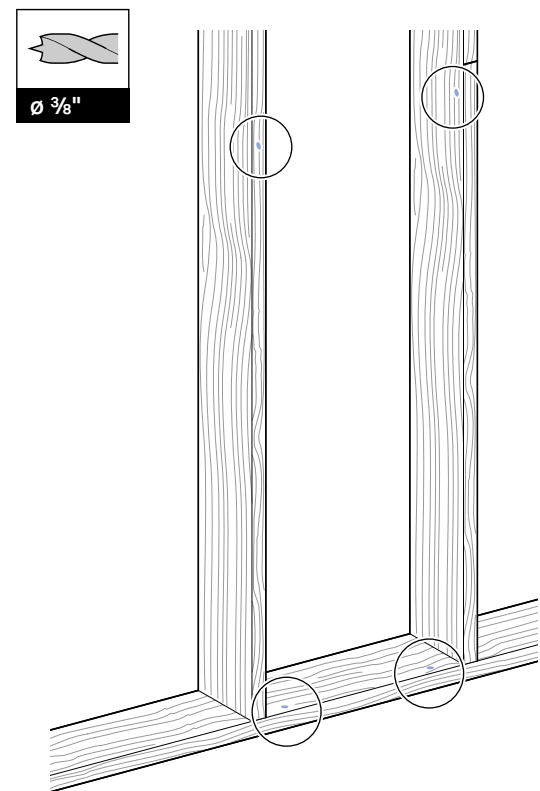
4



3

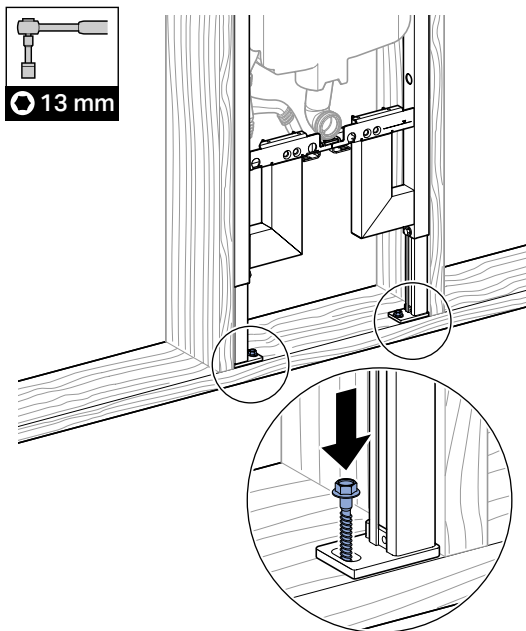


5

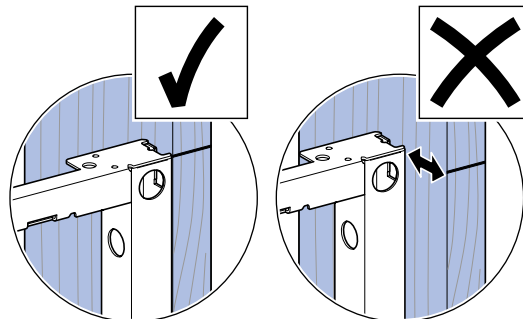




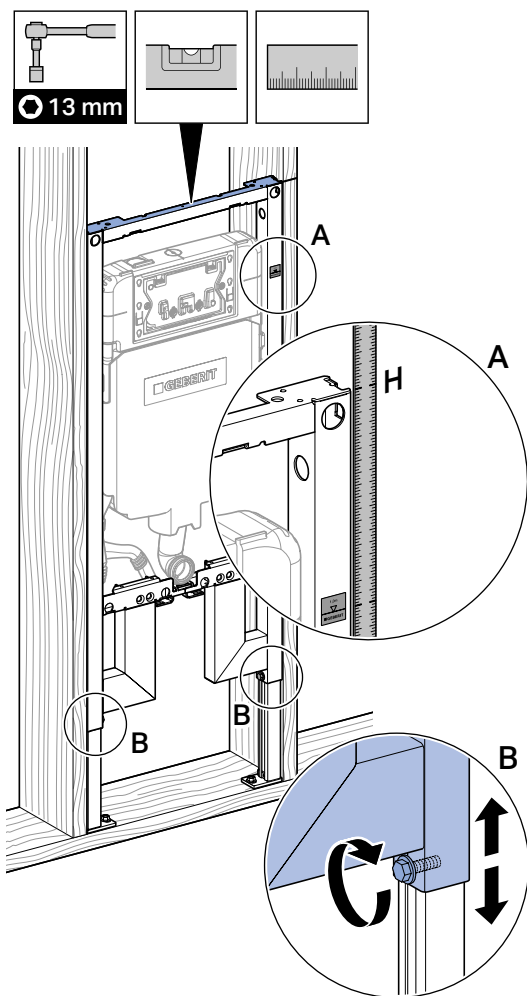
6



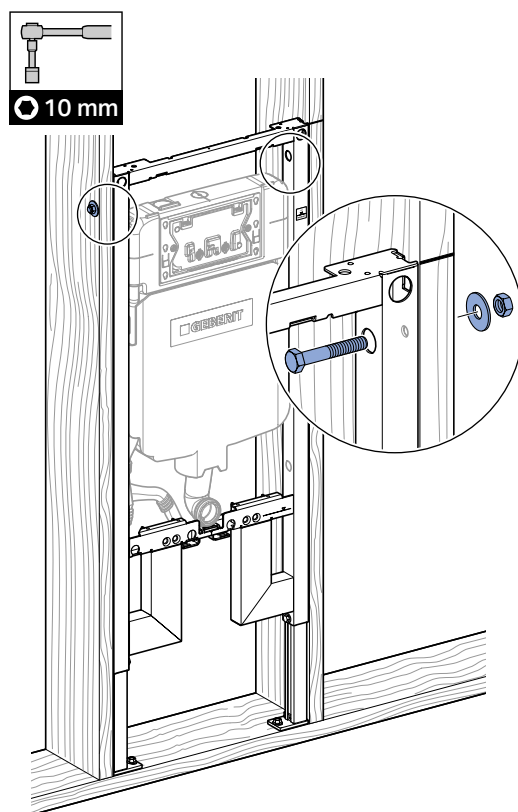
8



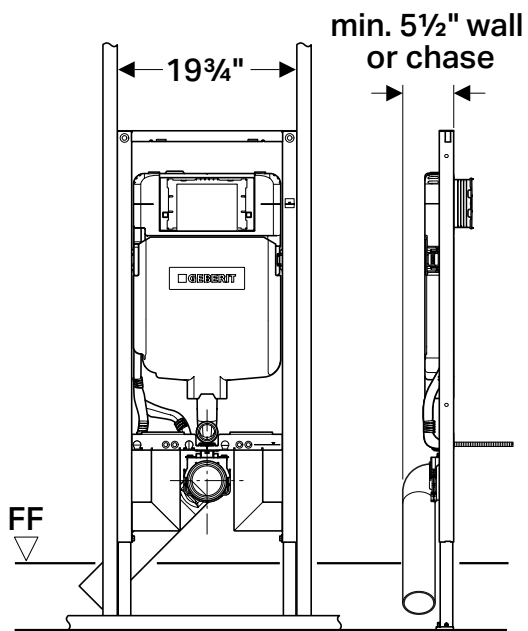
7



9

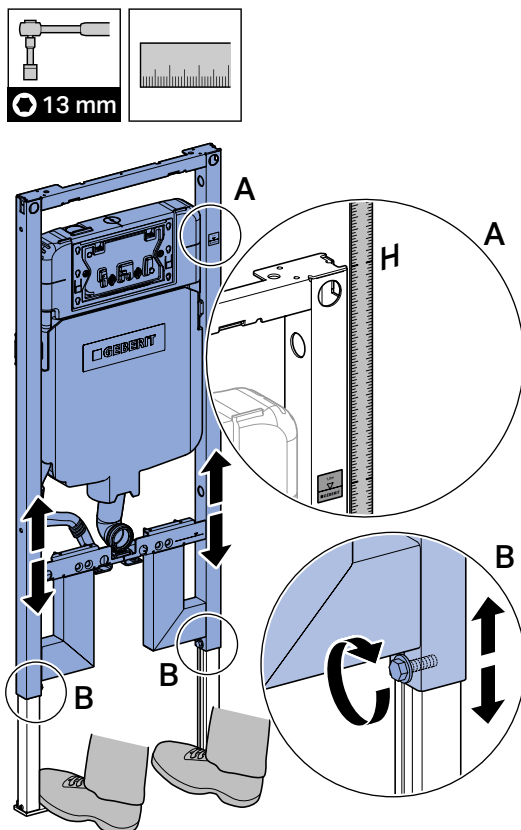


**B**

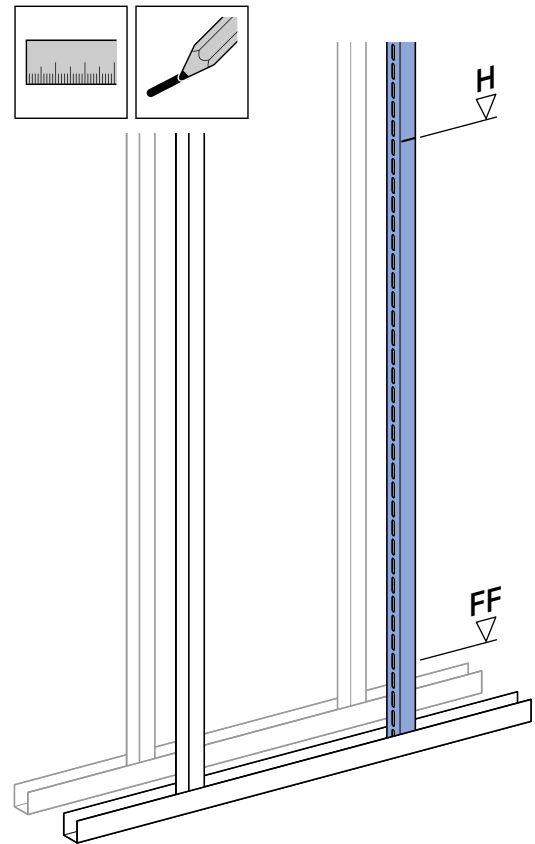


**i** RH, LH or vertical drainage runs allowed with 5 1/2" minimum wall thickness. Vertical drainage run only for 3 1/2" maximum walls.

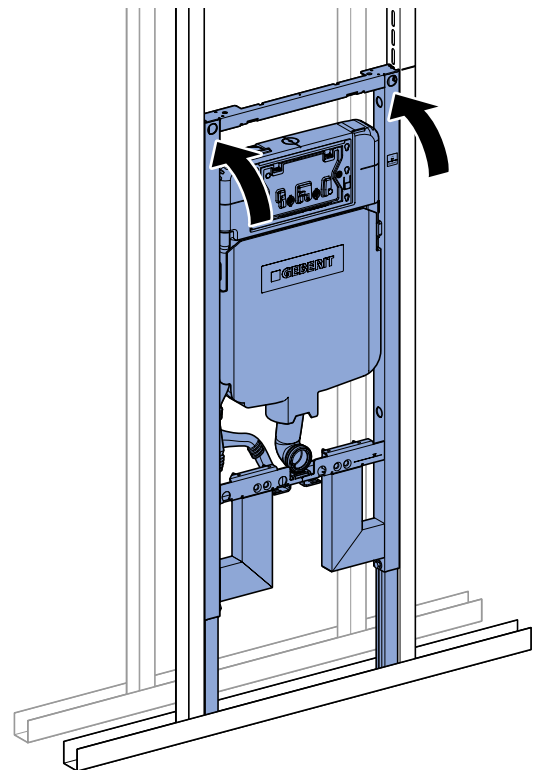
**1**



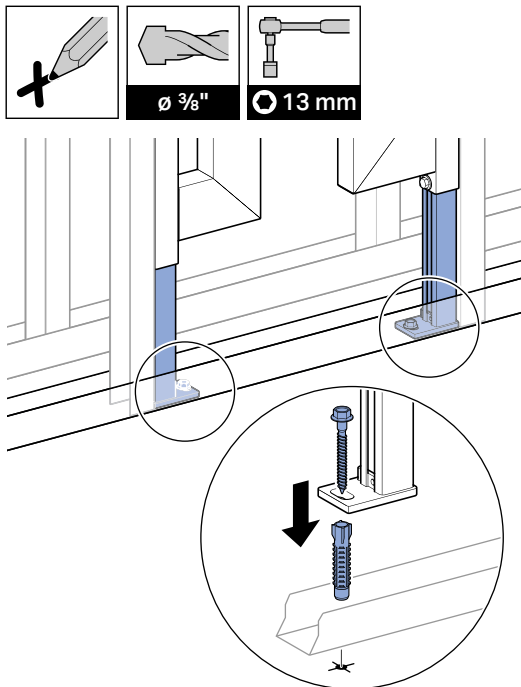
**2**



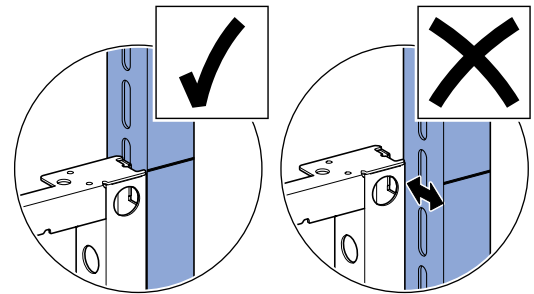
**3**



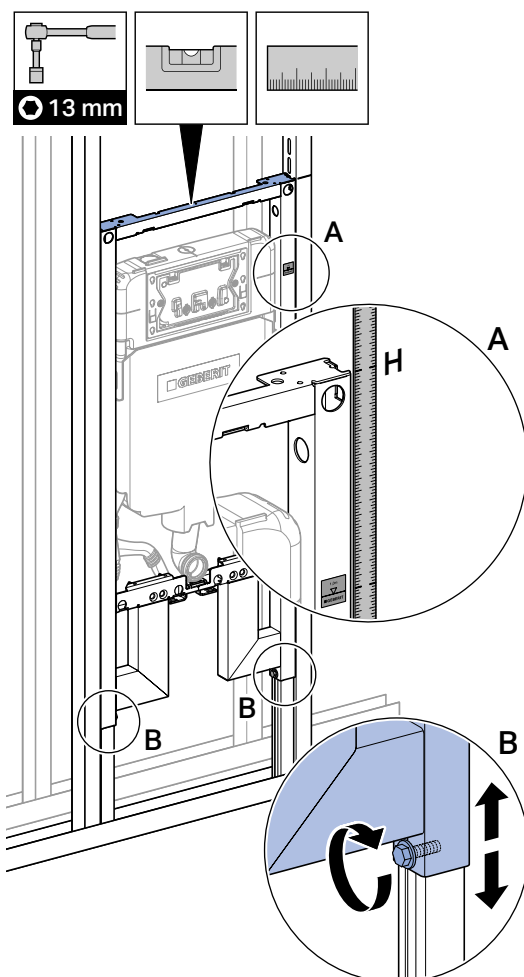
4



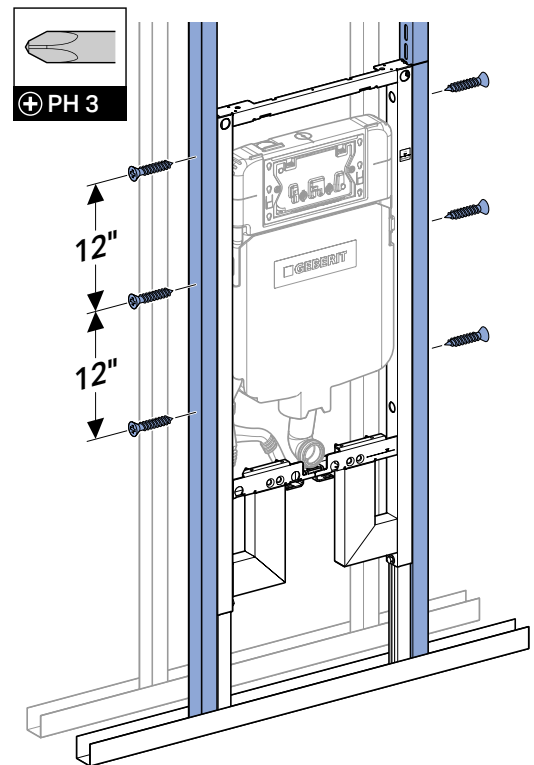
6



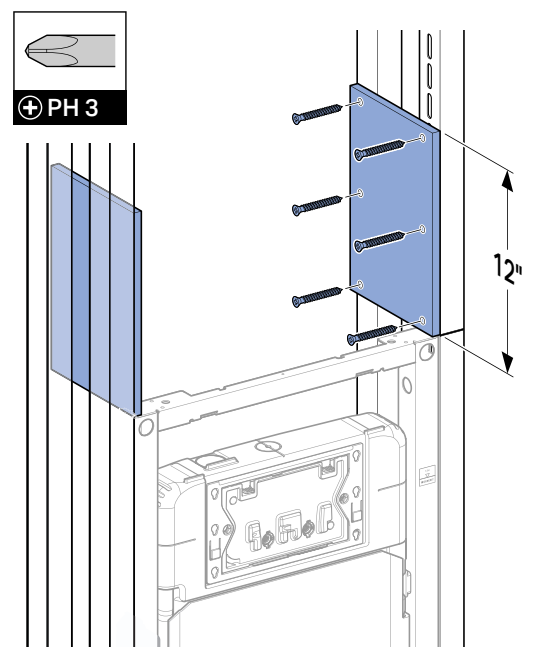
5



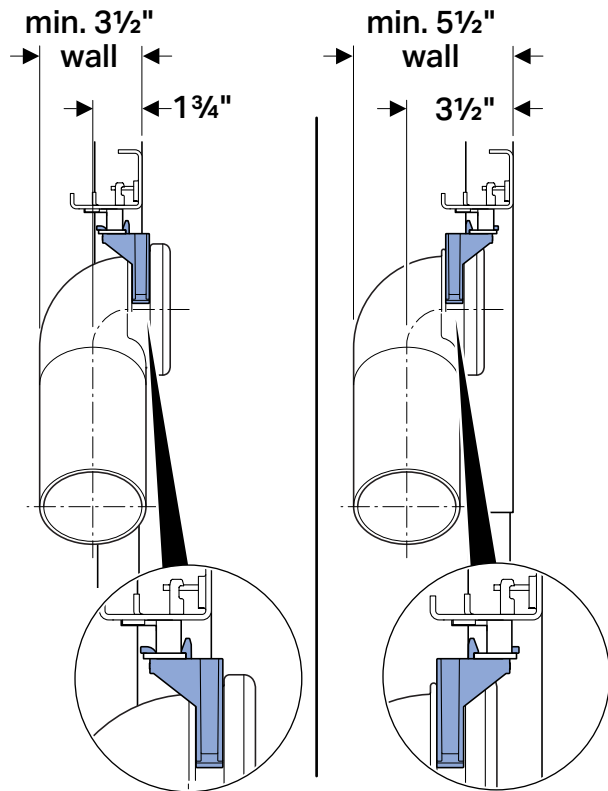
7



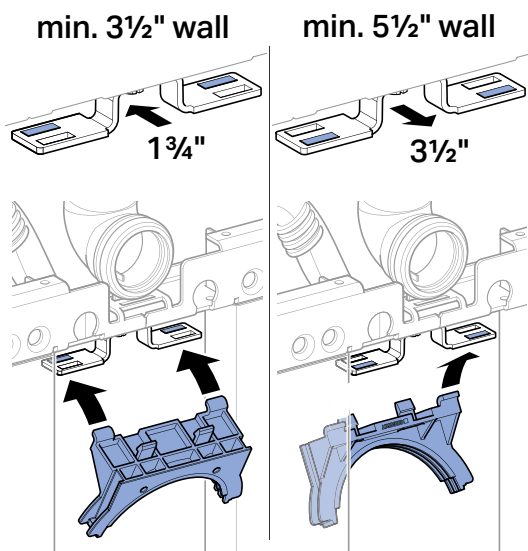
8



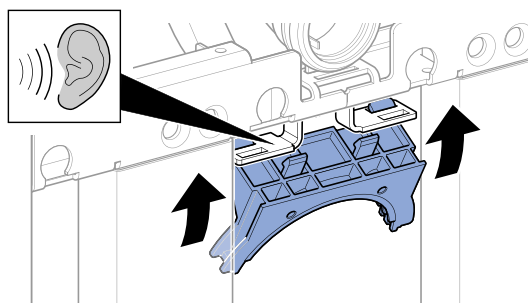
# 2



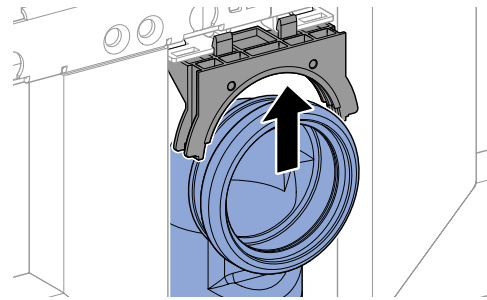
# 1



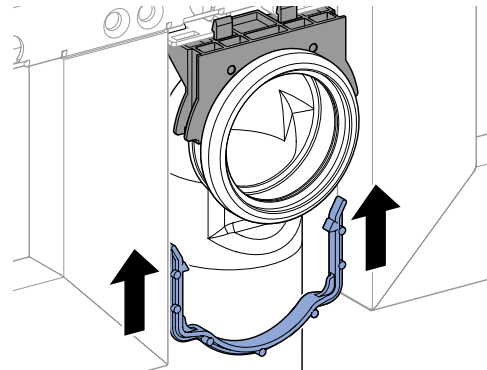
# 2



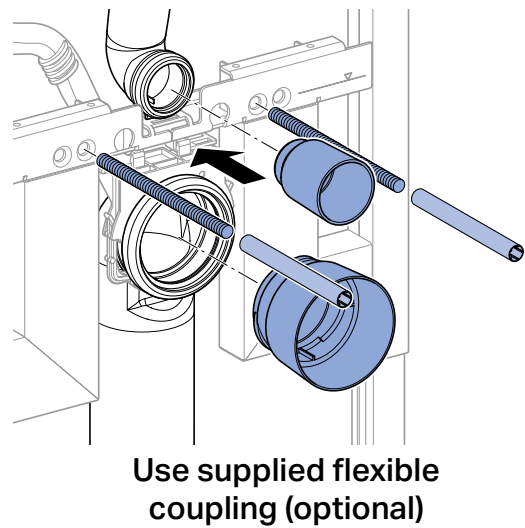
# 3



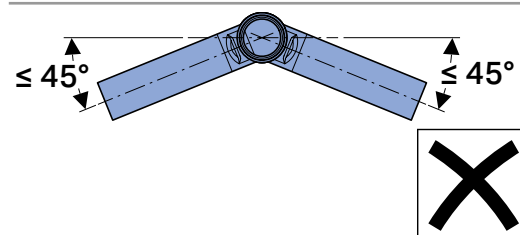
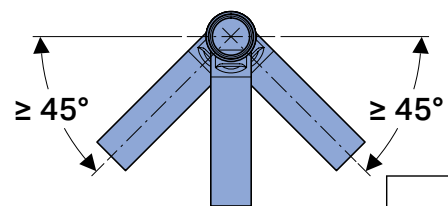
# 4



# 5

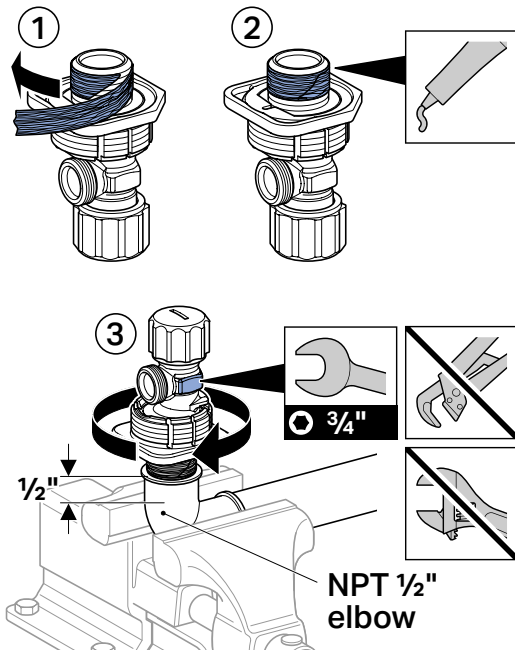


# i

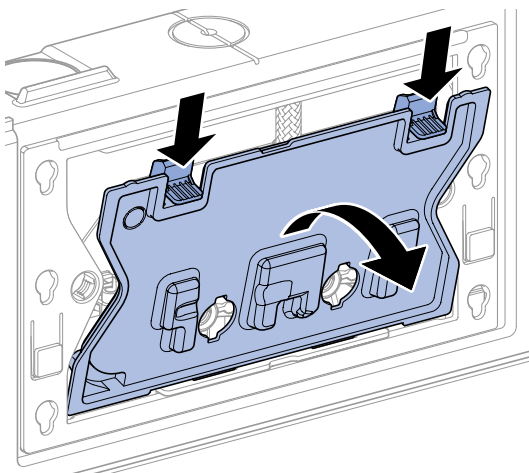


# 3

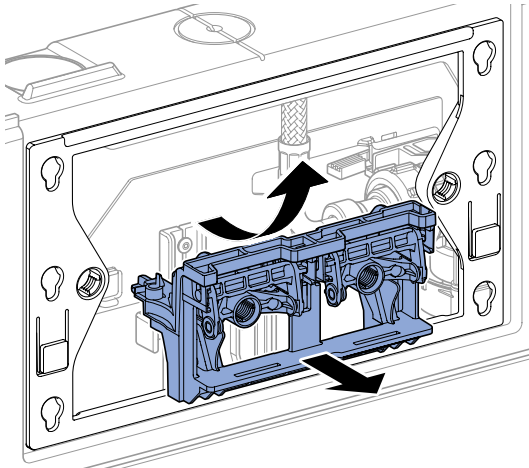
1



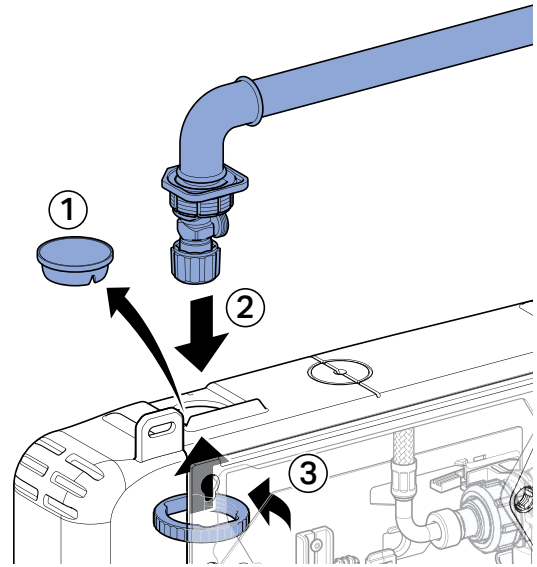
2



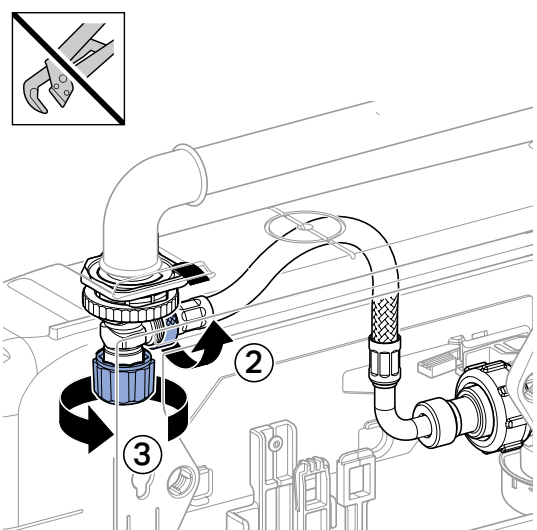
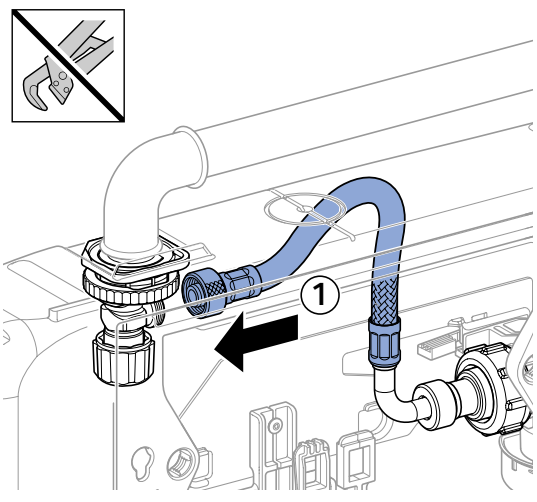
3



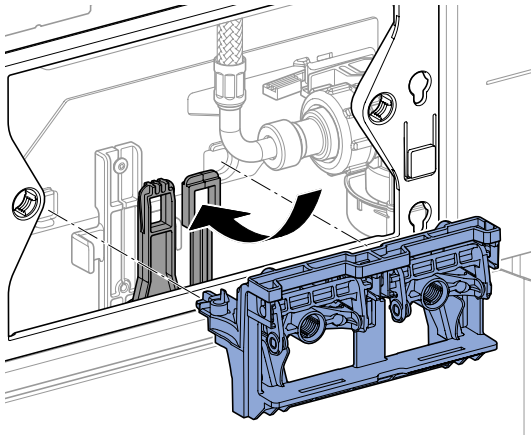
4



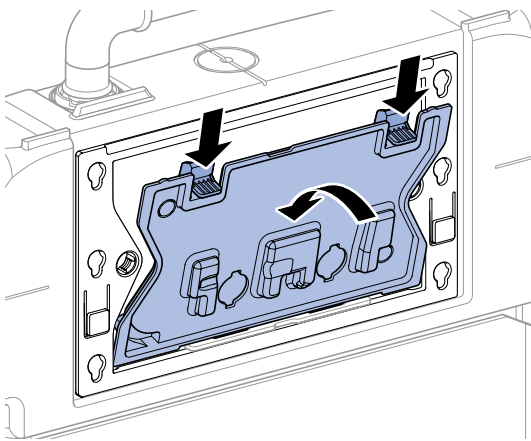
5



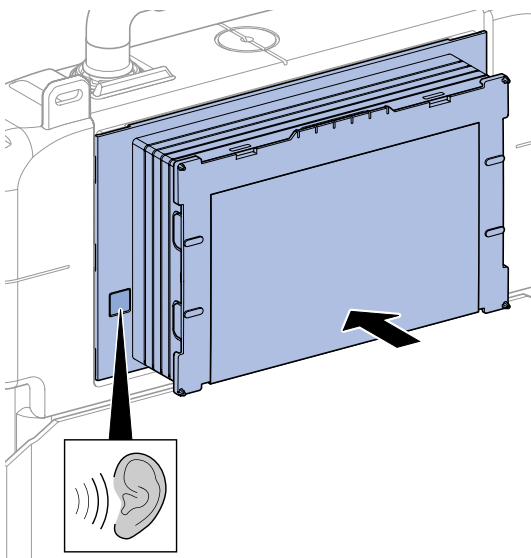
6



7



8



4

