

Product Specs Sheets

Cover Page

Perla C60

Features




- Complete Vanity Unit
- Wall-hung design offers a clean, streamlined look
- Two soft close drawers with organizer in upper drawer
- Hettich sliding system
- Includes integrated sink and vanity top in gloss white ceramic; sink has a faucet hole and an overflow
- Fully assembled with structure and front made of engineered wood in wood finishes and high gloss lacquered
- Handle integrated in front of furniture
- Hidden hanging bracket directly assembled with great resistance and depth regulations
- Made in Spain



Related Items:

- WSBC 53991 | Push Waste Drain
- WSBC 53922 | Decorative Trap
- Perla COL01 | Full Bathroom Column

Finishes:

-  Glossy White
-  Natural Oak
-  Grey Pine

SKU# | Options:

- Perla C60.100 WG | Glossy White
- Perla C60.100 NO | Natural Oak
- Perla C60.100 GP | Grey Pine

Codes & Standards:

- CARB2 Compliant and Certified
- TSCA Compliant and Certified

* WS Bath Collections reserves the right to revise dimensions or information on this sheet without notice

Collection |
Perla

Model |
Perla C60

Dimensions Metric

1 inch = 2.54 cm

1 inch = 25.4 mm

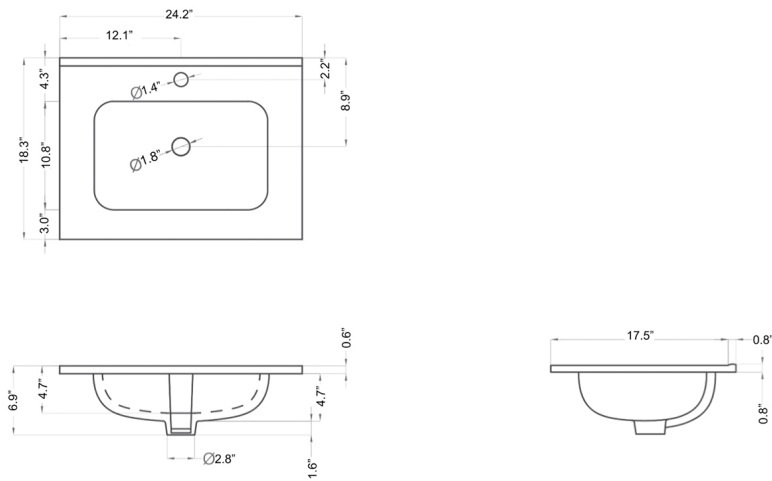
WS®
BATH
COLLECTIONS

1051 Lea Drive - Collegeville, PA 19426
Tel. 215 513 9400 - Fax 610 831 0215

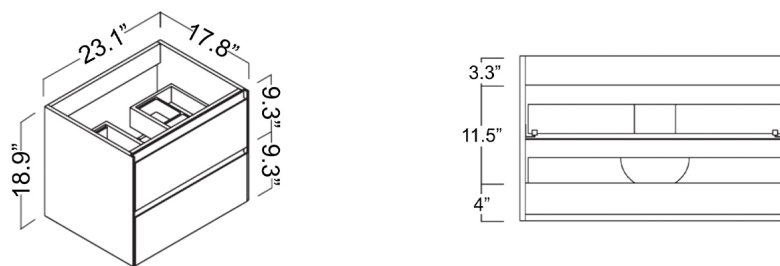
www.ws bathcollections.com - info@ws bathcollectins.com

Perla C60

Sink



Base Unit



Technical information



Organizer unit.



Adjustable front.



Soft close.



Hettich sliding system.



Glossy lacquered finish.

- Height and depth adjustable suspension.
- 2 adjustable drawers and door with silent-low closing and integrated handles.
- 22 mm MDF front / 19 mm white finish. 16 mm MDF side panels.

Collection |
Perla

Model |
Perla C60

Dimensions Metric

1 inch = 2.54 cm

1 inch = 25.4 mm

WS®
BATH
COLLECTIONS

1051 Lea Drive - Collegeville, PA 19426
Tel. 215 513 9400 - Fax 610 831 0215

www.ws bathcollections.com - info@ws bathcollectins.com

We recommend the following items that work with your sink.

Perla C60

TRAPS

WSBC 53922
Our best seller



WSBC 5392



WSBC 53925



WSBC 53921
Space saving



DRAINS

WSBC 53991
Push waste drain (click clack)
with overflow



MOUNTING HARDWARE

Wall-Mount Installation

Vessel/Countertop Installation

Bolts

Silicone (optional)

Collection |
Perla

Model |
Perla C60

Dimensions Metric

1 inch = 2.54 cm

1 inch = 25.4 mm

1051 Lea Drive - Collegeville, PA 19426
Tel. 215 513 9400 - Fax 610 831 0215
www.wsbatchcollections.com - info@wsbatchcollectins.com