

## Perla C100

### Features




- Complete Vanity Unit
- Wall-hung design offers a clean, streamlined look
- Two soft close drawers with organizer in upper drawer
- Hettich sliding system
- Includes integrated sink and vanity top in gloss white ceramic; sink has a faucet hole and an overflow
- Fully assembled with structure and front made of engineered wood in wood finishes and high gloss lacquered
- Handle integrated in front of furniture
- Hidden hanging bracket directly assembled with great resistance and depth regulations
- Made in Spain



### Related Items:

- WSBC 53991 | Push Waste Drain
- WSBC 53922 | Decorative Trap
- Perla COL01 | Full Bathroom Column

### Finishes:

-  Glossy White
-  Natural Oak
-  Grey Pine

### SKU# | Options:

- Perla C100.100 Glossy White
- Perla C100.100 Natural Oak
- Perla C100.100 Grey Pine

### Codes & Standards:

- CARB2 Compliant and Certified
- TSCA Compliant and Certified

\* WS Bath Collections reserves the right to revise dimensions or information on this sheet without notice

**Collection |**  
Perla

**Model |**  
Perla C100

Dimensions Metric

*1 inch = 2.54 cm*

*1 inch = 25.4 mm*

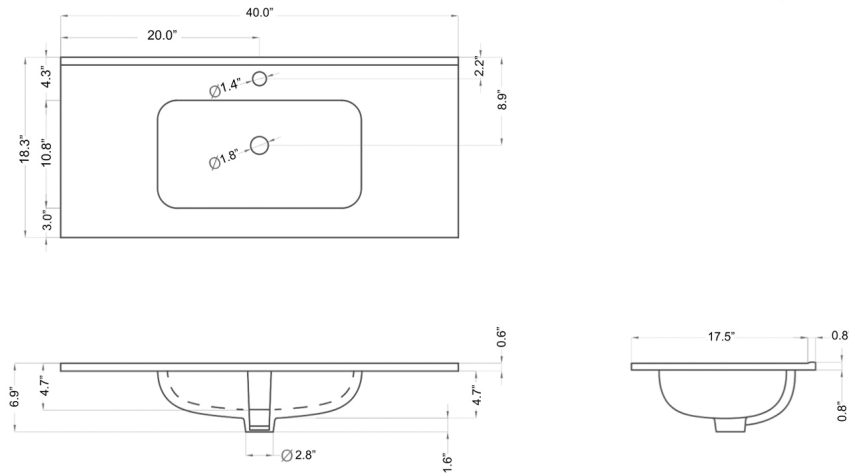
**WS<sup>®</sup>**  
**BATH**  
**COLLECTIONS**

1051 Lea Drive - Collegeville, PA 19426  
Tel. 215 513 9400 - Fax 610 831 0215

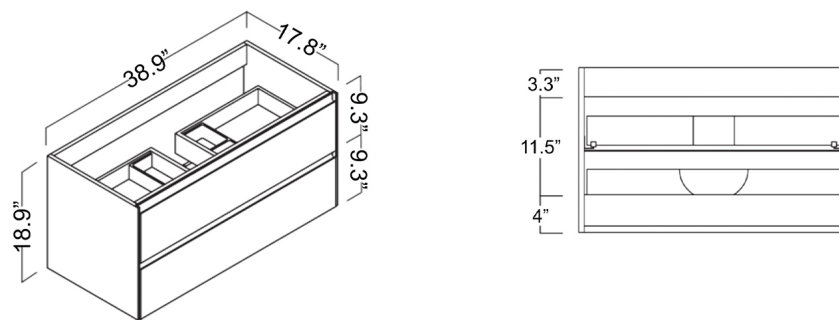
[www.ws bathcollections.com](http://www.ws bathcollections.com) - [info@ws bathcollectins.com](mailto:info@ws bathcollectins.com)

## Perla C100

### Sink



### Base Unit



#### Technical information



Organizer unit.



Adjustable front.



Soft close.



Hettich sliding system.



Glossy lacquered finish.

- Height and depth adjustable suspension.
- 2 adjustable drawers and door with silent-low closing and integrated handles.
- 22 mm MDF front / 19 mm white finish. 16 mm MDF side panels.

**Collection |**  
Perla

**Model |**  
Perla C100

Dimensions Metric

1 inch = 2.54 cm

1 inch = 25.4 mm

**WS**®  
**BATH**  
**COLLECTIONS**

1051 Lea Drive - Collegeville, PA 19426  
Tel. 215 513 9400 - Fax 610 831 0215

[www.ws bathcollections.com](http://www.ws bathcollections.com) - [info@ws bathcollectins.com](mailto:info@ws bathcollectins.com)

We recommend the following items that work with your sink.

**Perla C100**

## TRAPS



WSBC 53922  
*Our best seller*

-  Polished Chrome  
WSBC 53922.29
-  Matte Black  
WSBC 53922.22



WSBC 5392

-  Polished Chrome  
WSBC 5392.29



WSBC 53925

-  Polished Chrome  
WSBC 53925.29



WSBC 53921  
*Space saving*

-  Polished Chrome  
WSBC 53921.29
-  Matte Black  
WSBC 53921.22

## DRAINS



WSBC 53991  
Push waste drain (click clack)  
*with overflow*

-  Polished Chrome  
WSBC 53991.29
-  Glossy White  
WSBC 53991.09
-  Glossy Black  
WSBC 53991.18
-  Matte White  
WSBC 53991.26
-  Matte Black  
WSBC 53991.22

## MOUNTING HARDWARE

**Wall-Mount Installation**

**Vessel/Countertop Installation**



Bolts



Silicone (optional)

**Collection |**  
Perla

**Model |**  
Perla C100

Dimensions Metric

*1 inch = 2.54 cm*

*1 inch = 25.4 mm*



1051 Lea Drive - Collegeville, PA 19426  
Tel. 215 513 9400 - Fax 610 831 0215

[www.ws bathcollections.com](http://www.ws bathcollections.com) - [info@ws bathcollectins.com](mailto:info@ws bathcollectins.com)