

## Palma C70

### Features




- Complete Vanity Unit
- Wall-hung design offers a clean, streamlined look
- Two soft close drawers with organizer in upper drawer
- One soft close door
- Includes integrated sink and vanity top in gloss white ceramic; sink has a faucet hole and an overflow
- Fully assembled with structure and front made of engineered wood in wood finishes
- Handle integrated in front of furniture
- Hidden hanging bracket directly assembled with great resistance and depth regulations
- Made in Spain



### Related Items:

- WSBC 53991 | Push Waste Drain
- WSBC 53922 | Decorative Trap

### Finishes:

-  Matte White
-  Natural Oak
-  Moka Matte

### SKU# | Options:

- Palma C70.100 WM | Matte White
- Palma C70.100 NO | Natural Oak
- Palma C70.100 MKM | Moka Matte

### Codes & Standards:

- CARB2 Compliant and Certified
- TSCA Compliant and Certified

\* WS Bath Collections reserves the right to revise dimensions or information on this sheet without notice

**Collection |**  
Palma

**Model |**  
Palma C70

Dimensions Metric

*1 inch = 2.54 cm*

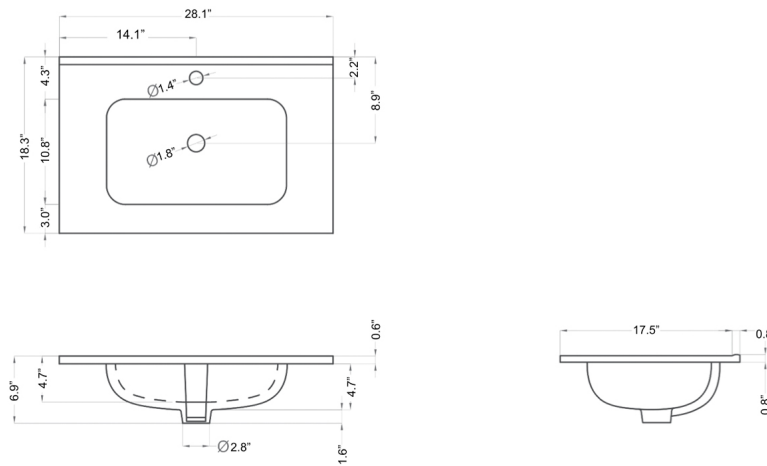
*1 inch = 25.4 mm*

**WS**®  
**BATH**  
**COLLECTIONS**

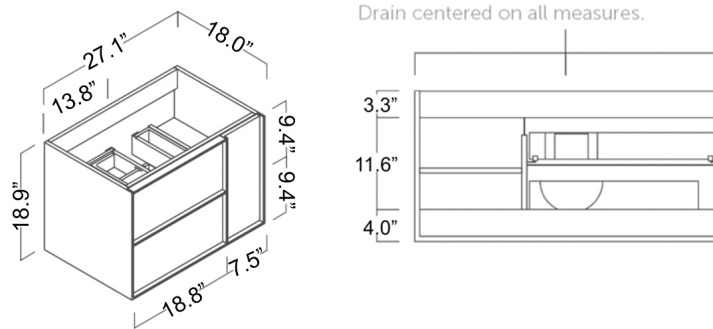
1051 Lea Drive - Collegeville, PA 19426  
Tel. 215 513 9400 - Fax 610 831 0215  
[www.ws bathcollections.com](http://www.ws bathcollections.com) - [info@ws bathcollectins.com](mailto:info@ws bathcollectins.com)

## Palma C70

### Sink



### Base Unit



#### Technical information



- Height and depth adjustable suspension.
- 2 adjustable drawers and door with silents-low closing and integrated handles.
- 16 mm MDF front / 16 mm MDF side panels.

**Collection |**  
Palma

**Model |**  
Palma C70

Dimensions Metric

1 inch = 2.54 cm  
1 inch = 25.4 mm

**WS**®  
**BATH**  
**COLLECTIONS**

1051 Lea Drive - Collegeville, PA 19426  
Tel. 215 513 9400 - Fax 610 831 0215

[www.ws bathcollections.com](http://www.ws bathcollections.com) - [info@ws bathcollectins.com](mailto:info@ws bathcollectins.com)

We recommend the following items that work with your sink.

**Palma C70**

## TRAPS



WSBC 53922  
*Our best seller*

-  Polished Chrome  
WSBC 53922.29
-  Matte Black  
WSBC 53922.22



WSBC 5392

-  Polished Chrome  
WSBC 5392.29



WSBC 53925

-  Polished Chrome  
WSBC 53925.29



WSBC 53921  
*Space saving*

-  Polished Chrome  
WSBC 53921.29
-  Matte Black  
WSBC 53921.22

## DRAINS



WSBC 53991  
Push waste drain (click clack)  
*with overflow*

-  Polished Chrome  
WSBC 53991.29
-  Matte White  
WSBC 53991.26
-  Glossy White  
WSBC 53991.09
-  Matte Black  
WSBC 53991.22
-  Glossy Black  
WSBC 53991.18

## MOUNTING HARDWARE

**Wall-Mount Installation**

**Vessel/Countertop Installation**



Bolts



Silicone (optional)

**Collection |**  
Palma

**Model |**  
Palma C70

Dimensions Metric

*1 inch = 2.54 cm*

*1 inch = 25.4 mm*

**WS**®  
**BATH**  
**COLLECTIONS**

1051 Lea Drive - Collegeville, PA 19426  
Tel. 215 513 9400 - Fax 610 831 0215

[www.ws bathcollections.com](http://www.ws bathcollections.com) - [info@ws bathcollectins.com](mailto:info@ws bathcollectins.com)