

## Camilia C55

### Features

- Complete Vanity Unit
- Wall-hung design offers a clean, streamlined look
- Two soft close doors and one soft close drawer
- Hettich sliding system
- Includes bathroom sink in gloss white ceramic; sink has a faucet hole
- Fully assembled with structure and front made of engineered wood in wood finishes and high gloss lacquered
- Handle integrated in front of furniture
- Hidden hanging bracket directly assembled with great resistance and depth regulations
- Made in Spain



### Related Items:

- WSBC 00076 | Push Waste Drain
- WSBC 53922 | Decorative Trap
- Camilia AUX55 | Medicine Cabinet

### Finishes:

-  Glossy White
-  Natural Oak
-  Island Matte

### SKU# | Options:

- Camilia C55.100 WG | Glossy White, Chrome Handles
- Camilia C55.100 NO | Natural Oak, Chrome Handles
- Camilia C55.110 IM | Island Matte, Matte Black Handles

### Codes & Standards:

- CARB2 Compliant and Certified
- TSCA Compliant and Certified

\* WS Bath Collections reserves the right to revise dimensions or information on this sheet without notice

**Collection |**  
Camilia

**Model |**  
Camilia C55

Dimensions Metric

*1 inch = 2.54 cm*

*1 inch = 25.4 mm*

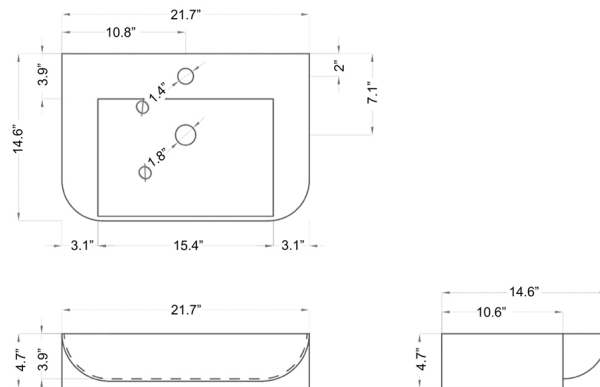
**WS<sup>®</sup>**  
**BATH**  
**COLLECTIONS**

1051 Lea Drive - Collegeville, PA 19426  
Tel. 215 513 9400 - Fax 610 831 0215

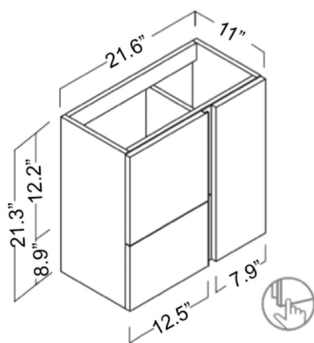
[www.ws bathcollections.com](http://www.ws bathcollections.com) - [info@ws bathcollectins.com](mailto:info@ws bathcollectins.com)

## Camilia C55

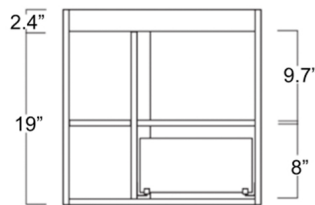
### Sink



### Base Unit

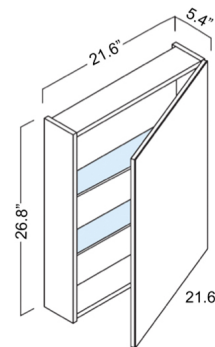


Puerta derecha push.  
Right door push.  
Poussée de la porte droite.



### Auxillary

sku: Camilia AUX55



### Technical information



Adjustable front.



Soft close.



Soft close.



Glossy lacquered finish.



Hettich sliding system.

- 2 doors, right door with push opening system and adjustable drawer. Metal handles.

- 19 mm front / 16 mm side.

**Collection |**  
Camilia

**Model |**  
Camilia C55

**Dimensions Metric**

1 inch = 2.54 cm

1 inch = 25.4 mm

**WS**®  
**BATH**  
**COLLECTIONS**

1051 Lea Drive - Collegeville, PA 19426  
Tel. 215 513 9400 - Fax 610 831 0215

[www.ws bathcollections.com](http://www.ws bathcollections.com) - [info@ws bathcollectins.com](mailto:info@ws bathcollectins.com)

We recommend the following items that work with your sink.

**Camilia C55**

## TRAPS



WSBC 53922  
*Our best seller*

- Polished Chrome  
WSBC 53922.29
- Matte Black  
WSBC 53922.22



WSBC 5392

- Polished Chrome  
WSBC 5392.29



WSBC 53925

- Polished Chrome  
WSBC 53925.29



WSBC 53921  
*Space saving*

- Polished Chrome  
WSBC 53921.29
- Matte Black  
WSBC 53921.22

## DRAINS



WSBC 00076  
Push waste drain (click clack)  
*without overflow*

- |  |   |   |
|--|---|---|
| <ul style="list-style-type: none"> <li> Polished Chrome<br/>WSBC 00076.29</li> <li> Matte White<br/>WSBC 00076.26</li> </ul> | <ul style="list-style-type: none"> <li> Glossy White<br/>WSBC 00076.09</li> <li> Matte Black<br/>WSBC 00076.22</li> </ul> | <ul style="list-style-type: none"> <li> Glossy Black<br/>WSBC 00076.18</li> </ul> |
|--|---|---|

## MOUNTING HARDWARE

**Wall-Mount Installation**

**Vessel/Countertop Installation**



Bolts



Silicone (optional)

**Collection |**  
Camilia

**Model |**  
Camilia C55

Dimensions Metric

*1 inch = 2.54 cm*  
*1 inch = 25.4 mm*



1051 Lea Drive - Collegeville, PA 19426  
Tel. 215 513 9400 - Fax 610 831 0215  
[www.ws bathcollections.com](http://www.ws bathcollections.com) - [info@ws bathcollectins.com](mailto:info@ws bathcollectins.com)