

Camilia C45

Features

- Complete Vanity Unit
- Wall-hung design offers a clean, streamlined look
- One soft close door
- Includes bathroom sink in gloss white ceramic; sink has a faucet hole
- Fully assembled with structure and front made of engineered wood in wood finishes and high gloss lacquered
- Handle integrated in front of furniture
- Hidden hanging bracket directly assembled with great resistance and depth regulations
- Made in Spain



Related Items:

- WSBC 00076 | Push Waste Drain
- WSBC 53922 | Decorative Trap
- Camilia AUX45 | Medicine Cabinet

Finishes:

-  Glossy White
-  Natural Oak
-  Island Matte


SKU# | Options:

- Camilia C45.100 WG | Glossy White, Chrome Handles
- Camilia C45.100 NO | Natural Oak, Chrome Handles
- Camilia C45.110 IM | Island Matte, Matte Black Handles

Codes & Standards:

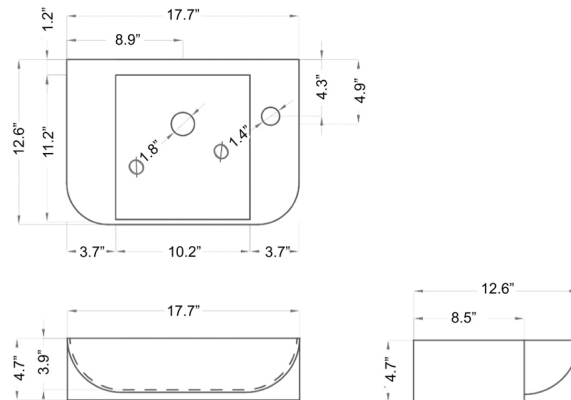
- CARB2 Compliant and Certified
- TSCA Compliant and Certified

* WS Bath Collections reserves the right to revise dimensions or information on this sheet without notice

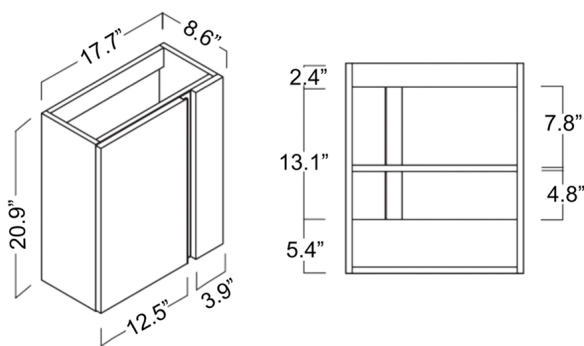
Collection Camilia	Model Camilia C45	Dimensions Metric <i>1 inch = 2.54 cm</i> <i>1 inch = 25.4 mm</i>	 1051 Lea Drive - Collegeville, PA 19426 Tel. 215 513 9400 - Fax 610 831 0215 www.ws bathcollections.com - info@ws bathcollectins.com
--------------------------------	-------------------------------	---	---

Camilia C45

Sink

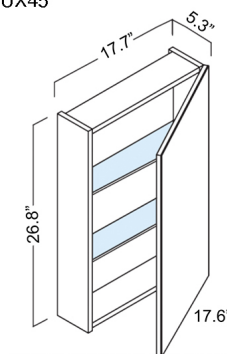


Base Unit



Auxillary

sku: Camilia AUX45



Technical information



Adjustable front.



Soft close.



Soft close.



Glossy lacquered finish.



Hettich sliding system.

- 1 adjustable door with silent slow closing and metal handles.
- 19 mm front / 16 mm side panels.

Collection |
Camilia

Model |
Camilia C45

Dimensions Metric

1 inch = 2.54 cm

1 inch = 25.4 mm

WS[®]
BATH
COLLECTIONS

1051 Lea Drive - Collegeville, PA 19426
Tel. 215 513 9400 - Fax 610 831 0215

www.ws bathcollections.com - info@ws bathcollectins.com

We recommend the following items that work with your sink.

Camilia C45

TRAPS



WSBC 53922
Our best seller

-  Polished Chrome
WSBC 53922.29
-  Matte Black
WSBC 53922.22



WSBC 5392

-  Polished Chrome
WSBC 5392.29



WSBC 53925

-  Polished Chrome
WSBC 53925.29



WSBC 53921
Space saving

-  Polished Chrome
WSBC 53921.29
-  Matte Black
WSBC 53921.22

DRAINS



WSBC 00076
Push waste drain (click clack)
without overflow

- | | | |
|--|---|---|
|  Polished Chrome
WSBC 00076.29 |  Glossy White
WSBC 00076.09 |  Glossy Black
WSBC 00076.18 |
|  Matte White
WSBC 00076.26 |  Matte Black
WSBC 00076.22 | |

MOUNTING HARDWARE

Wall-Mount Installation

Vessel/Countertop Installation



Bolts



Silicone (optional)

Collection |
Camilia

Model |
Camilia C45

Dimensions Metric

1 inch = 2.54 cm

1 inch = 25.4 mm

WS®
BATH
COLLECTIONS

1051 Lea Drive - Collegeville, PA 19426
Tel. 215 513 9400 - Fax 610 831 0215

www.ws bathcollections.com - info@ws bathcollectins.com