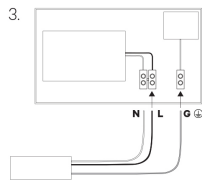
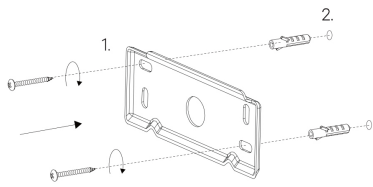


# Product Installation Instructions



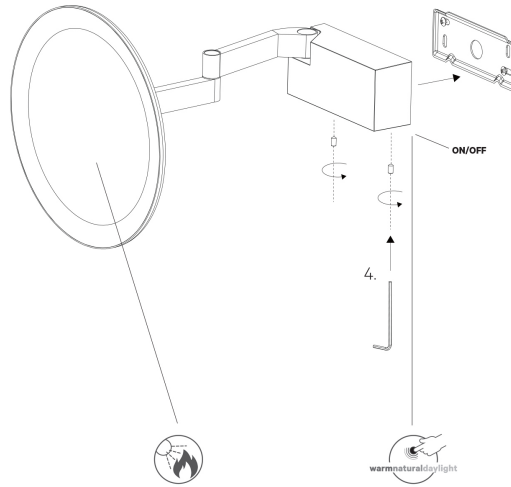
AUTO-OFF AFTER 10 MIN



AVERT DIRECT REFLECTION OF THE SUN



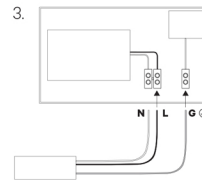
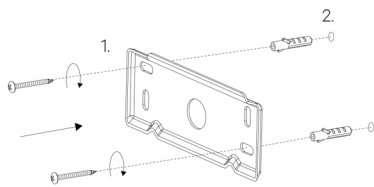
COLOUR TEMPERATURE CONTINUOUSLY 3000-5000K



## Instructions wall mounting

1. Pierce the gasket of the mounting plate for the cable and screw holes.
2. Install the mounting plate on the wall. Make sure to use screws and wall plugs which are appropriate for the given circumstances.
3. *Disconnect the circuit at the fuse box before assembly.* Connect the mirror to the electricity. The installation may only be carried out by authorised personnel.
4. Install the mirror on the wall mounting plate.

This product contains a light source of energy efficiency class **G**



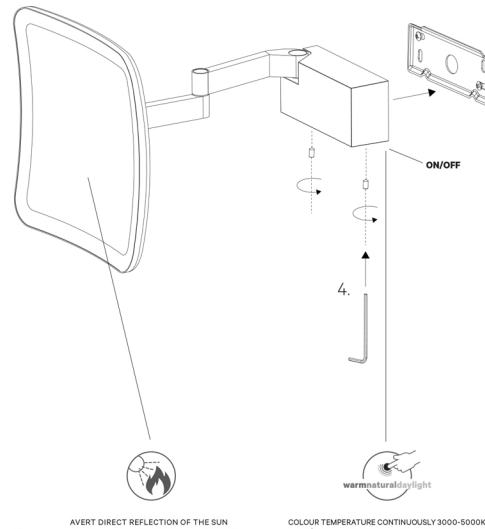
AUTO-OFF AFTER 10 MIN



AVERT DIRECT REFLECTION OF THE SUN



COLOUR TEMPERATURE CONTINUOUSLY 3000-5000K



## Instructions wall mounting

1. Pierce the gasket of the mounting plate for the cable and screw holes.
2. Install the mounting plate on the wall. Make sure to use screws and wall plugs which are appropriate for the given circumstances.
3. *Disconnect the circuit at the fuse box before assembly.* Connect the mirror to the electricity. The installation may only be carried out by authorised personnel.
4. Install the mirror on the wall mounting plate.

This product contains a light source of energy efficiency class **G**

Collection  
WU Mirrors

Model |  
Y U; 6  
Y U; 7

Dimensions Metric  
1 inch = 2.54 cm  
1 inch = 25.4 mm

**WS**<sup>®</sup>  
BATH  
COLLECTIONS

1051 Lea Drive - Collegeville, PA 19426  
Tel. 215 513 9400 - Fax 610 831 0215  
[www.ws bathcollections.com](http://www.ws bathcollections.com) - [info@ws bathcollections.com](mailto:info@ws bathcollections.com)