

Unit Plus 120A

Features

- Bathroom Sink
- Made of Ceramic
- Glossy White Finish
- With Concealed Overflow
- Available With One, Two (For Two Faucets), or No Faucet Hole
- Wall Mount or Countertop (Vessel) Installation
- Made in Italy



Related Items:

- WSBC 53991 | Push Waste Drain
- WSBC 53922 | Decorative Trap

Finishes:



Glossy White

SKU# | Options:

- Unit Plus 120A.00 | No Faucet Hole
- Unit Plus 120A.01 | Single Faucet Hole
- Unit Plus 120A.02 | Two Faucet Holes (For Two Faucets)

Codes & Standards:

- ADA Compliant

* WS Bath Collections reserves the right to revise dimensions or information on this sheet without notice

Collection |
Unit Plus

Model |
Unit Plus 120A

Dimensions Metric

1 inch = 2.54 cm

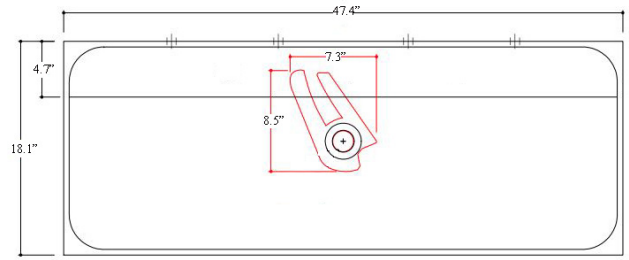
1 inch = 25.4 mm

WS®
BATH
COLLECTIONS

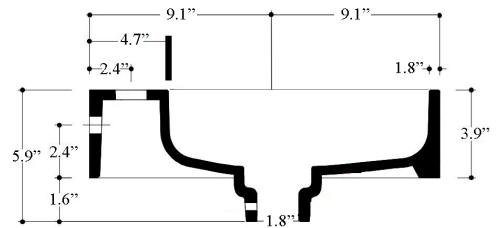
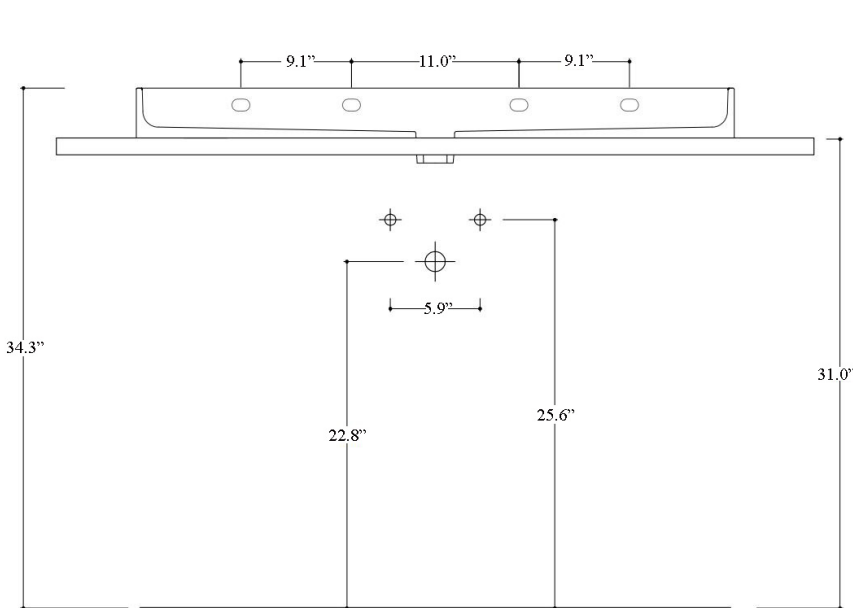
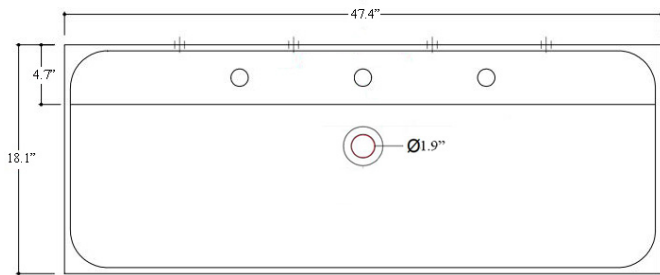
1051 Lea Drive - Collegeville, PA 19426
Tel. 215 513 9400 - Fax 610 831 0215

www.ws bathcollections.com - info@ws bathcollections.com

Unit Plus 120A



Bottom View
Concealed Drain Configuration



Collection |
Unit Plus

Model |
Unit Plus 120A

Dimensions Metric

1 inch = 2.54 cm
1 inch = 25.4 mm

WS[®]
BATH
COLLECTIONS

1051 Lea Drive - Collegeville, PA 19426
Tel. 215 513 9400 - Fax 610 831 0215

www.ws bathcollections.com - info@ws bathcollections.com

We recommend the following items that work with your sink.

Unit Plus 120A

TRAPS



WSBC 53922
Our best seller

Polished Chrome
WSBC 53922.29

Matte Black
WSBC 53922.22



WSBC 5392

Polished Chrome
WSBC 5392.29



WSBC 53925

Polished Chrome
WSBC 53925.29



WSBC 53921
Space saving

Polished Chrome
WSBC 53921.29

Matte Black
WSBC 53921.22

DRAINS



WSBC 53991
Push waste drain (click clack)
with overflow

Polished Chrome
WSBC 53991.29

Glossy White
WSBC 53991.09

Matte Black
WSBC 53991.22

MOUNTING HARDWARE

Wall-mount installation

Vessel/ countertop installation



Bolts



Silicone (*optional*)

Collection
Wpkv'Rnwu

Model |
Wpkv'Rnwu"342C

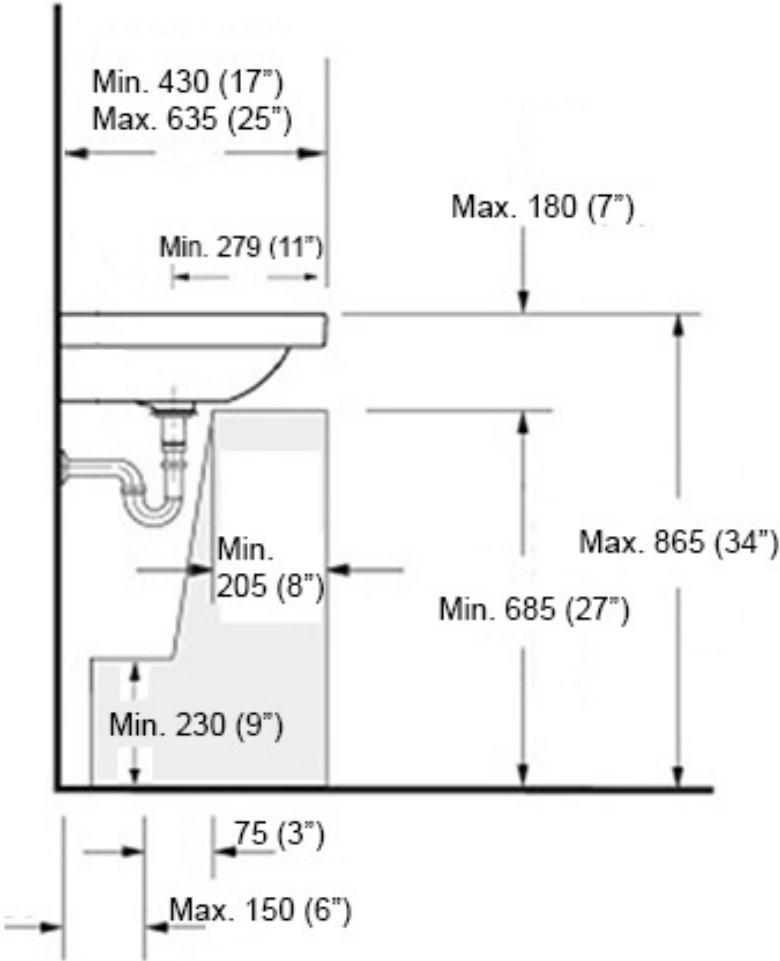
Dimensions Metric
1 inch = 2.54 cm
1 inch = 25.4 mm

WS[®]
BATH
COLLECTIONS


1051 Lea Drive - Collegeville, PA 19426
Tel. 215 513 9400 - Fax 610 831 0215

www.ws bathcollections.com - info@ws bathcollections.com

Recommended ADA Installation



Note: ADA Compliant when installed in accordance with ADA guidelines

<p>Collection Unit Plus</p>	<p>Model Unit Plus 120A</p>	<p>Dimensions Metric 1 inch = 2.54 cm 1 inch = 25.4 mm</p>	 <p>1051 Lea Drive - Collegeville, PA 19426 Tel. 215 513 9400 - Fax 610 831 0215 www.ws bathcollections.com - info@ws bathcollections.com</p>
--	--	--	---