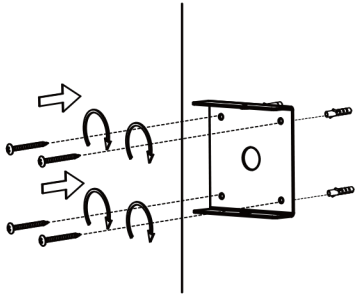


Installation Instructions

10mins Auto-off

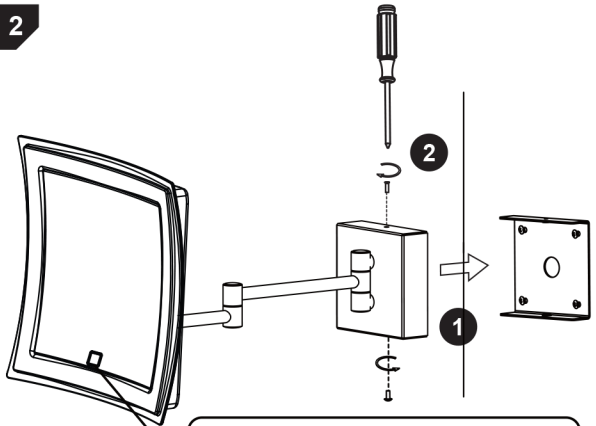
WALL MOUNT

1



TOUCH SWITCH

2

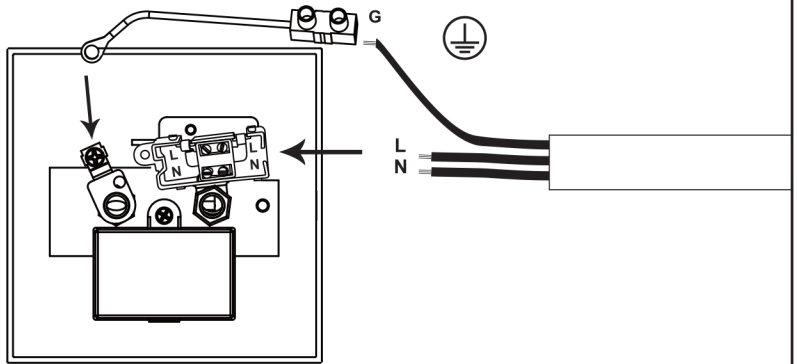


Single Touch
On/Off



Press & hold
Gradient Color Change
Cool Natural Warm

CLASS I WIRING CONNECTION



Cleaning instruction

Do not use any detergent to clean the mirror. No glass cleaner or acidic cleaning chemical. You may use clear alcohol to remove finger marks or grease on the surface. No abrasives or nylon pad for rubbing. Only use damp chamois leather or microfabric cloth.