

## Beauty 200T

### Features

- Magnifying Makeup Mirror
- Battery Operated - 3 x AA batteries
- Magnification: 5X - Free of Distortion
- Available in 2 Finishes: Polished Chrome and Matte Black
- With LED Light - Wattage: 3W
- Rated Life of LED Lights: 20,000 Hours
- Continuously Adjustable Light Range: Cool to Warm 2800K-6000K
- Brightness: 310 Lux
- Auto-Off After 10 Minutes
- Double Arm, Extendable, Swiveling




### SKU# | Options:

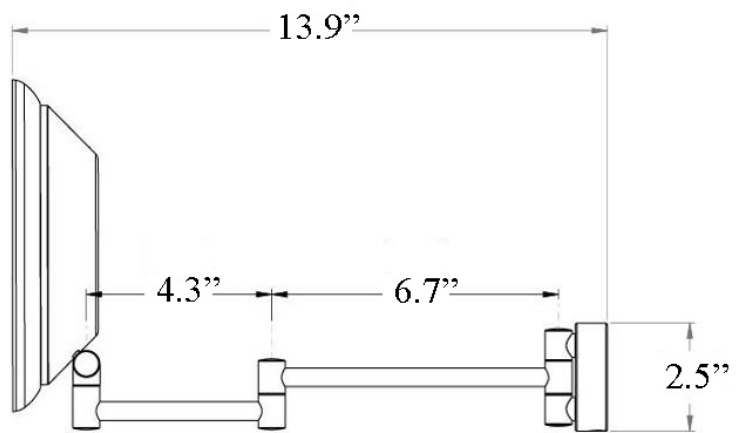
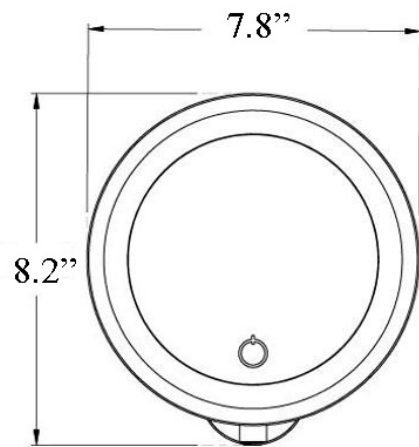
- Beauty 200T CR | Polished Chrome
- Beauty 200T BM | Matte Black

### Finishes:

-  Polished Chrome
-  Matte Black

\* WS Bath Collections reserves the right to revise dimensions or information on this sheet without notice

<b>Collection  </b> Beauty	<b>Model  </b> Beauty 200T	Dimensions Metric <i>1 inch = 2.54 cm</i> <i>1 inch = 25.4 mm</i>	 1051 Lea Drive - Collegeville, PA 19426 Tel. 215 513 9400 - Fax 610 831 0215 <a href="http://www.ws bathcollections.com">www.ws bathcollections.com</a> - <a href="mailto:info@ws bathcollectins.com">info@ws bathcollectins.com</a>
-------------------------------	-------------------------------	---	---



Collection  
Beauty

Model |  
Beauty 200T

Dimensions Metric  
1 inch = 2.54 cm  
1 inch = 25.4 mm

**WS**<sup>®</sup>  
BATH  
COLLECTIONS

1051 Lea Drive - Collegeville, PA 19426  
Tel. 215 513 9400 - Fax 610 831 0215  
[www.ws bathcollections.com](http://www.ws bathcollections.com) - [info@ws bathcollections.com](mailto:info@ws bathcollections.com)