

Features


- Modern Deck-Mounted Hospital Bathroom Faucet
- Single handle lever controls water flow and temperature
- Polished Chrome Finish
- Made of Lead-Free Solid Brass
- Requires Single-Hole Installation
- Includes Ceramic Disc Cartridge
- Flow Rate: 1.5 GPM
- Spout Reach: 4.4"

Flow T1.11

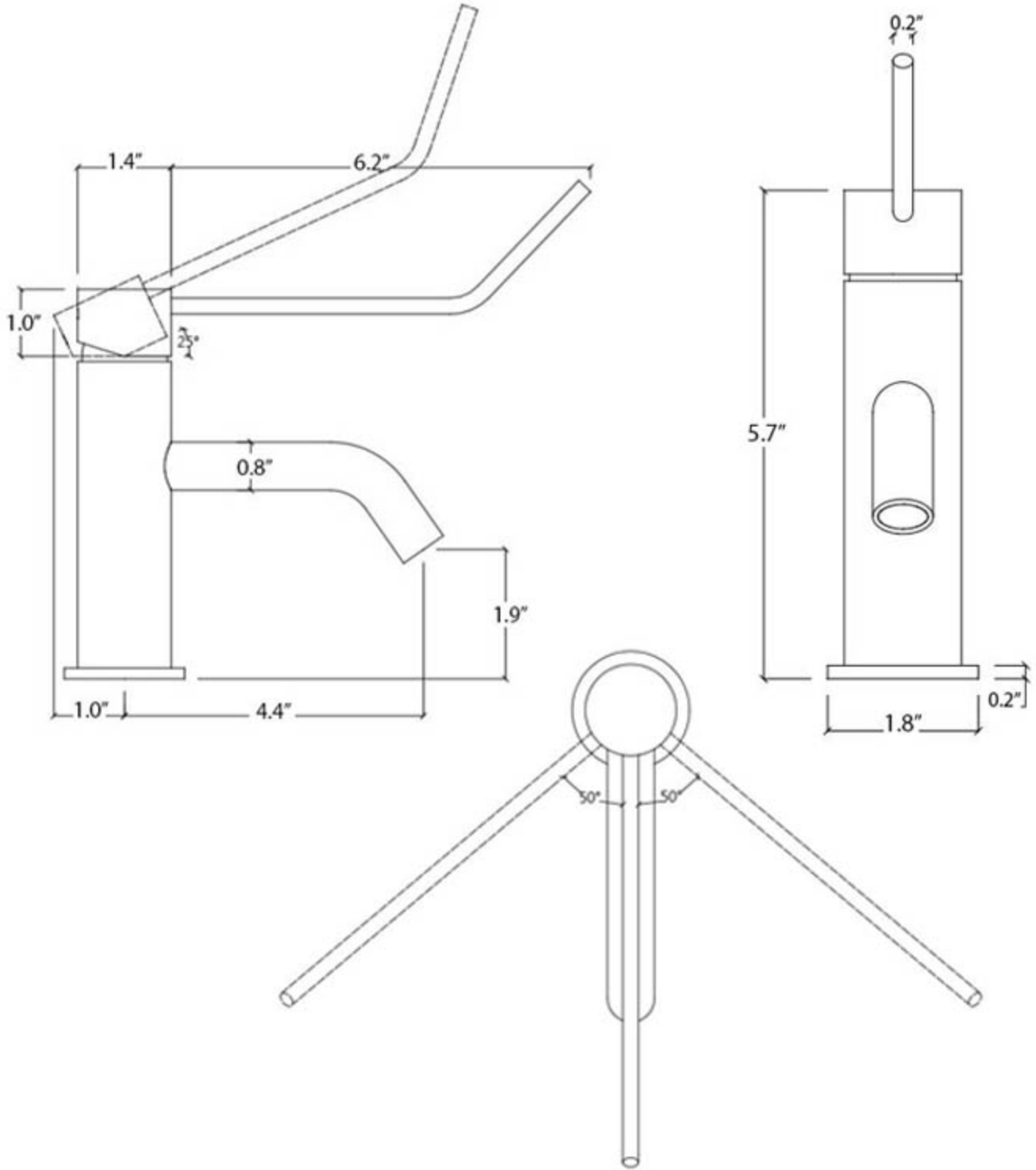


Finishes

 Polished Chrome

<p>Collection Flow</p>	<p>Model Flow T1.11</p>	<p>Dimensions Metric <i>1 inch = 2.54 cm</i> <i>1 inch = 25.4 mm</i></p>	<p> 1051 Lea Drive - Collegeville, PA 19426 Tel. 215 513 9400 - Fax 610 831 0215 www.ws bathcollections.com - info@ws bathcollectins.com</p>
-----------------------------------	--------------------------------------	--	---

Product Specs Sheets



Collection
Flow

Model |
Flow T1.11

Dimensions Metric
 1 inch = 2.54 cm
 1 inch = 25.4 mm

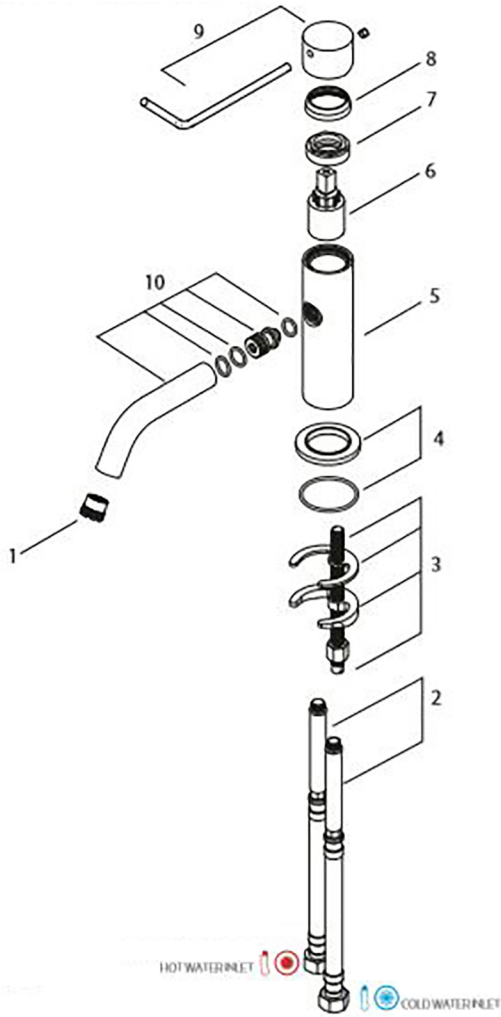
WS®
BATH
COLLECTIONS

1051 Lea Drive - Collegeville, PA 19426
 Tel. 215 513 9400 - Fax 610 831 0215
www.ws bathcollections.com - info@ws bathcollectins.com

Product Specs Sheets / Parts Diagram

Note: Item Fully Assembled

FOR ASSEMBLY FOLLOW THE INDICATIONS OF THE DRAWING



TECHNICAL DATA

Nº	DESCRIPTION
01	AERATOR
02	CONNECTION FLEXIBLE
03	FIXING KIT
04	PLATE
05	TAP BODY
06	CARTRIDGE
07	LOCKNUT
08	CARTRIDGES CONCEALER
09	HANDLE
10	SPOUT

INSTALLATION RECOMENDATIONS

Before installing a tap, it is good to rinse the supply pipes to remove all residues. We also recommend installing the taps with a filter. The installation of the tap must be done with the surface clean and dry, to perform the water pressure test, the taps must be open.

CLEANING AND MAINTENANCE

Cleaning must be done with liquid soap and water. Do not use liquid detergents containing abrasive or acidic substances, abrasive sponges or disinfectants. Incorrect cleaning may permanently ruin the surface of taps.

On color finishings, do not use products containing alcohol, acetone and other solvents.

Collection
Flow

Model |
Flow T1.11

Dimensions Metric

1 inch = 2.54 cm
1 inch = 25.4 mm

WS®
BATH
COLLECTIONS

1051 Lea Drive - Collegeville, PA 19426
Tel. 215 513 9400 - Fax 610 831 0215

www.ws bathcollections.com - info@ws bathcollectins.com