

Features

- Modern Deck-Mounted Electronic Bathroom Faucet
- Hands-Free Operation Allows for Clean and Effortless Use
- Operates Using 1.5V Battery
- Polished Chrome Finish
- Made of Lead-Free Solid Brass
- Requires Single-Hole Installation
- Includes Ceramic Disc Cartridge
- Flow Rate: 1.5 GPM
- Spout Reach: 4.4"


Flow T1.10EB



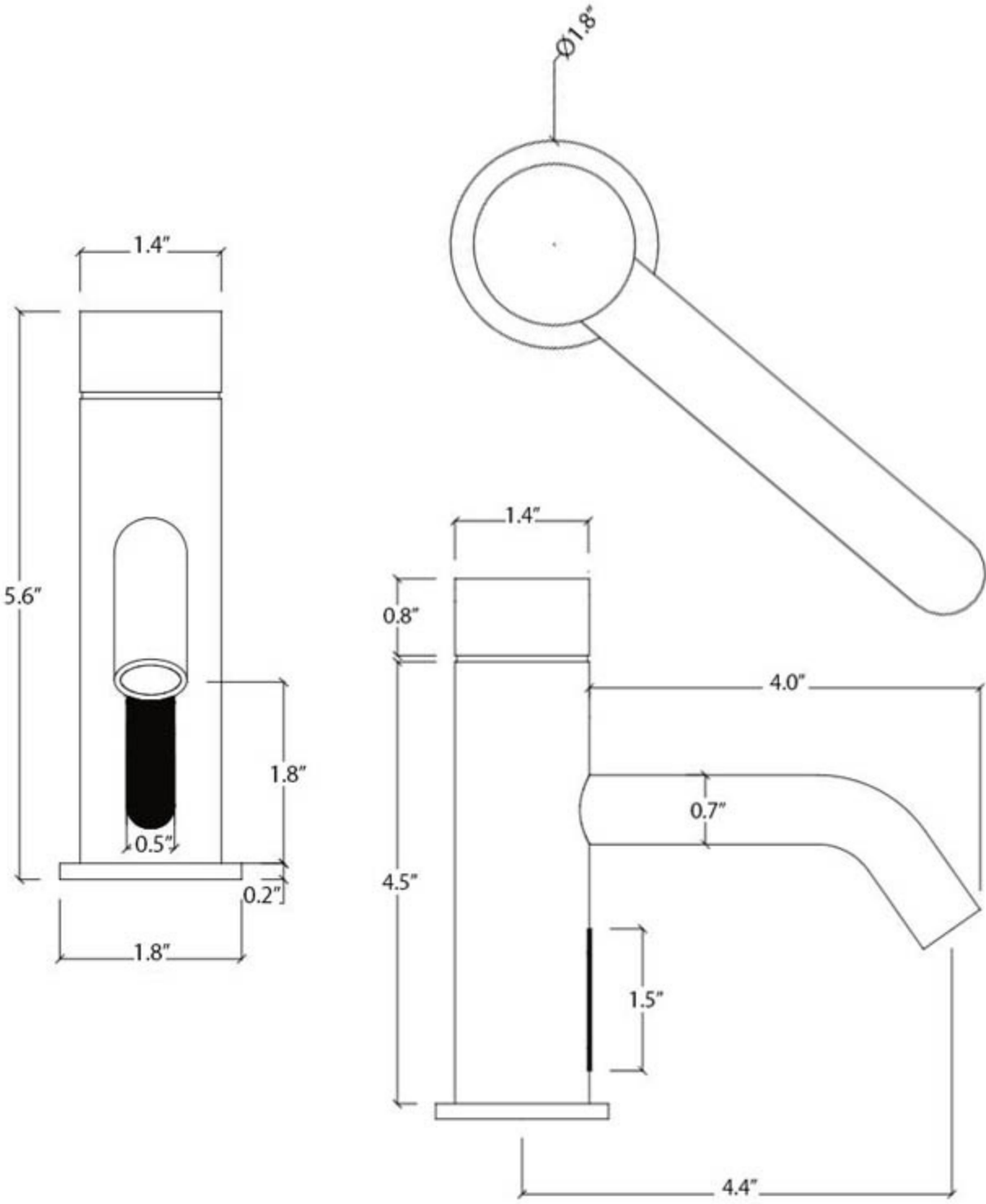
SKU# | Option:

Finishes


 Polished Chrome

Collection Flow	Model Flow T1.10EB	Dimensions Metric <i>1 inch = 2.54 cm</i> <i>1 inch = 25.4 mm</i>	 1051 Lea Drive - Collegeville, PA 19426 Tel. 215 513 9400 - Fax 610 831 0215 www.ws bathcollections.com - info@ws bathcollectins.com
---------------------------	--------------------------------	--	---

Product Specs Sheets



Collection
Flow

Model |
Flow T1.10EB

Dimensions Metric

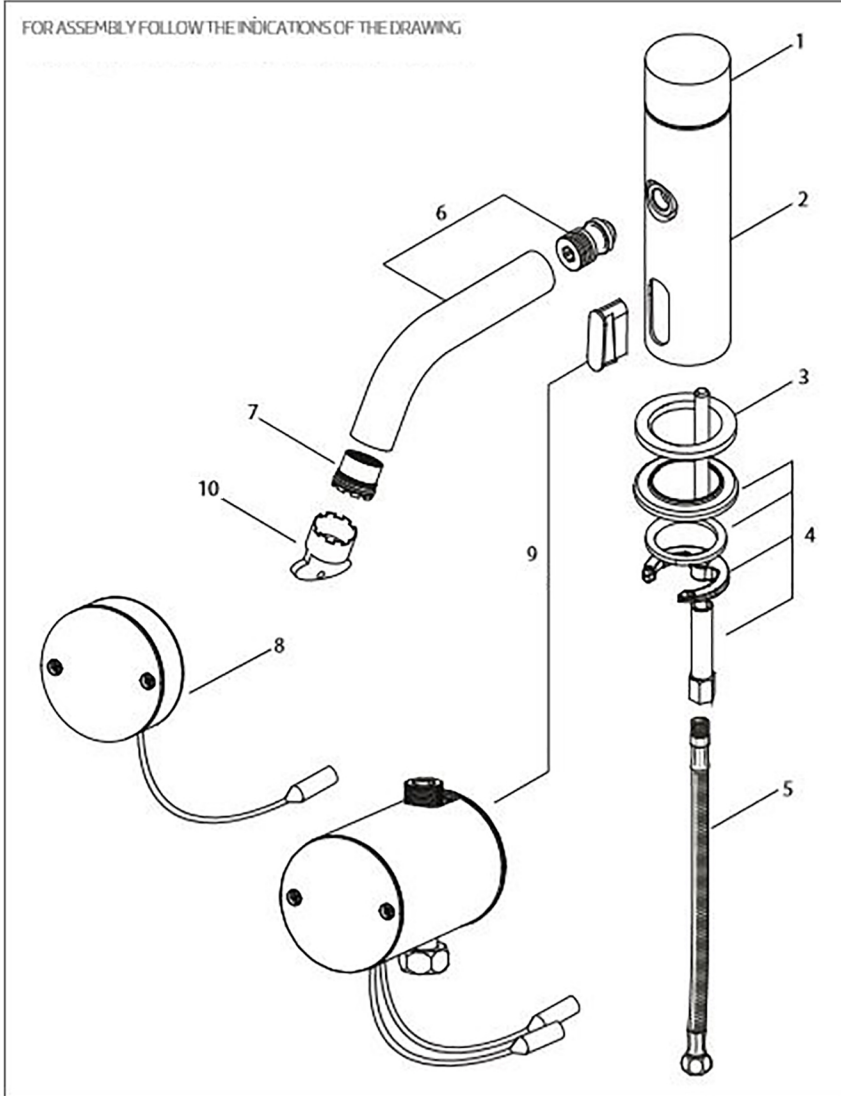
1 inch = 2.54 cm
1 inch = 25.4 mm

WS®
BATH
COLLECTIONS

1051 Lea Drive - Collegeville, PA 19426
Tel. 215 513 9400 - Fax 610 831 0215
www.ws bathcollections.com - info@ws bathcollectins.com

Product Specs Sheets / Parts Diagram

Note: Item Fully Assembled



TECHNICAL DATA

Nº	DESCRIPTION
01	HANDLE
02	TAP BODY
03	PLATE
04	FIXING KIT
05	CONNECTION FLEXIBLE
06	SPOUT
07	AERATOR
08	BATTERY
09	ELECTRONIC SYSTEM
10	AERATOR KEYS

INSTALLATION RECOMENDATIONS

Before installing a tap, it is good to rinse the supply pipes to remove all residues. We also recommend installing the taps with a filter. The installation of the tap must be done with the surface clean and dry. To perform the water pressure test, the taps must be open.

CLEANING AND MAINTENANCE

Cleaning must be done with liquid soap and water. Do not use liquid detergents containing abrasive or acidic substances, abrasive sponges or disinfectants. Incorrect cleaning may permanently ruin the surface of taps.

On color finishings, do not use products containing alcohol, acetone and other solvents.

Collection
Flow

Model |
Flow T1.10EB

Dimensions Metric

1 inch = 2.54 cm
1 inch = 25.4 mm

WS®
BATH
COLLECTIONS

1051 Lea Drive - Collegeville, PA 19426
Tel. 215 513 9400 - Fax 610 831 0215

www.ws bathcollections.com - info@ws bathcollectins.com