

Energy 120

Features

- Bathroom Sink
- Made of Ceramic
- Available in 2 Finishes: Glossy White and Matte Black
- With Overflow
- Wall Mount or Countertop (Vessel) Installation
- Available with One, Three (4" or 8" Spread), or No Faucet Hole
- Available with Soap Dispenser Hole Option to the Left or Right of Faucet Hole



Related Items:

- WSBC 53991 | Push Waste Drain
- WSBC 53922 | Decorative Trap

Finishes:

-  Glossy White
-  Matte Black


SKU# | Options:

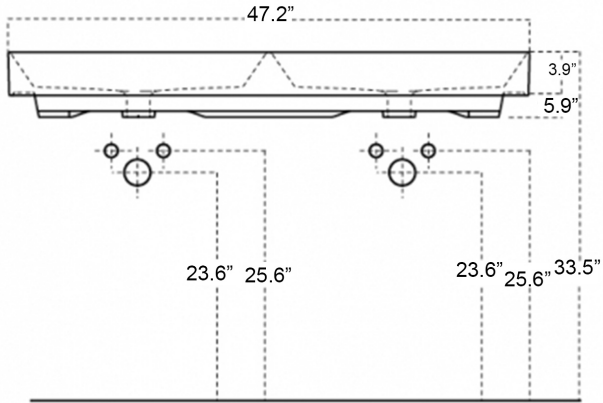
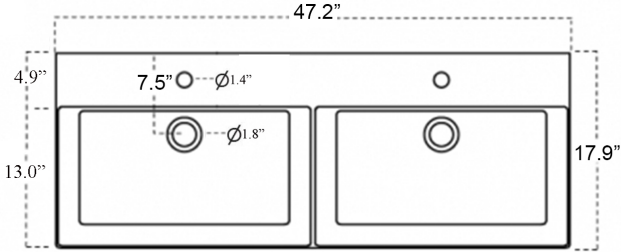
- Energy 120.00 | No Faucet Hole, Glossy White
 - Energy 120.01 | One Faucet Hole, Glossy White
 - Energy 120.03-4 | Three Faucet Holes 4" Spread, Glossy White
 - Energy 120.03-8 | Three Faucet Holes 8" Spread, Glossy White
 - Energy 120.02L | Left Soap Dispenser Hole (Specify Distance), Glossy White
 - Energy 120.02R | Right Soap Dispenser Hole (Specify Distance), Glossy White
 - Energy 120.00 BM | No Faucet Hole, Matte Black
 - Energy 120.01 BM | One Faucet Hole, Matte Black
 - Energy 120.03-4 BM | Three Faucet Holes 4" Spread, Matte Black
 - Energy 120.03-8 BM | Three Faucet Holes 8" Spread, Matte Black
 - Energy 120.02L BM | Left Soap Dispenser Hole (Specify Distance), Matte Black
 - Energy 120.02R BM | Right Soap Dispenser Hole (Specify Distance), Matte Black
- "nn" refers to the number of faucets holes

Codes & Standards:

- ADA Compliant

* WS Bath Collections reserves the right to revise dimensions or information on this sheet without notice

Collection Energy	Model Energy 120	Dimensions Metric <i>1 inch = 2.54 cm</i> <i>1 inch = 25.4 mm</i>	 1051 Lea Drive - Collegeville, PA 19426 Tel. 215 513 9400 - Fax 610 831 0215 www.ws bathcollections.com - info@ws bathcollectins.com
-------------------------------	------------------------------	-------------------------------------------------------------------------	-------------------------------------------------------------------------------------------------------------------------------------------------------------------------------------------------------------------------------------------------------------------------------------------------------------------------------------



Collection
Energy

Model |
Energy 120

Dimensions Metric
1 inch = 2.54 cm
1 inch = 25.4 mm



1051 Lea Drive - Collegeville, PA 19426
Tel. 215 513 9400 - Fax 610 831 0215
www.ws bathcollections.com - info@ws bathcollections.com

We recommend the following items that work with your sink.

Energy 120

TRAPS



WSBC 53922
Our best seller

Polished Chrome
WSBC 53922.29

Matte Black
WSBC 53922.22



WSBC 5392

Polished Chrome
WSBC 5392.29



WSBC 53925

Polished Chrome
WSBC 53925.29



WSBC 53921
Space saving

Polished Chrome
WSBC 53921.29

Matte Black
WSBC 53921.22

DRAINS



WSBC 53991
Push waste drain (click clack)
with overflow

Polished Chrome
WSBC 53991.29

Glossy White
WSBC 53991.09

Glossy Black
WSBC 53991.18

Matte White
WSBC 53991.26

Matte Black
WSBC 53991.22

MOUNTING HARDWARE

Wall-mount installation

Vessel/ countertop installation



Bolts



Silicone (optional)

Collection
Energy

Model |
Energy 120

Dimensions Metric

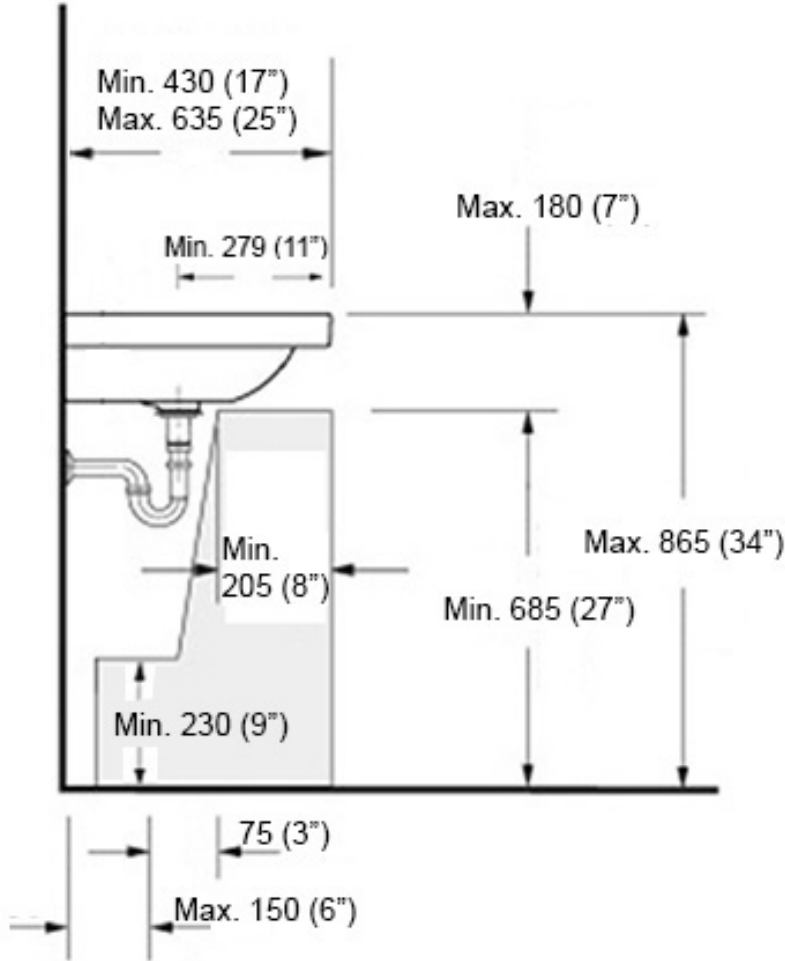
1 inch = 2.54 cm
1 inch = 25.4 mm

WS[®]
BATH
COLLECTIONS

1051 Lea Drive - Collegeville, PA 19426
Tel. 215 513 9400 - Fax 610 831 0215

www.ws bathcollections.com - info@ws bathcollections.com

Recommended ADA Installation



Note: ADA Compliant when installed in accordance with ADA guidelines

<p>Collection Energy</p>	<p>Model Energy 120</p>	<p>Dimensions Metric 1 inch = 2.54 cm 1 inch = 25.4 mm</p>	<p>WS[®] BATH COLLECTIONS 1051 Lea Drive - Collegeville, PA 19426 Tel. 215 513 9400 - Fax 610 831 0215 www.ws bathcollections.com - info@ws bathcollections.com</p>
-------------------------------------	--------------------------------------	--------------------------------------------------------------------	------------------------------------------------------------------------------------------------------------------------------------------------------------------------------------------------------------------------------------------------------------------------------------------------------------------------