

Features

- Mobile Storage Unit / Trolley
- Available in 3 Finishes: White, Black, and Sandquartz
- Frame Made of Aluminum
- Includes 3 Shelves Made of Bamboo
- Free Standing Installation
- Includes 4 Wheels for Easy Movement
- Made in Italy

Careto 5450



SKU# | Option:

- Careto 5450.09 | White
- Careto 5450.18 | Black
- Careto 5450.21 | Sandquartz

Finishes



Polished Stainless Steel



Black



Sandquartz

Collection
Runner

Model |
Careto 5450

Dimensions Metric

1 inch = 2.54 cm

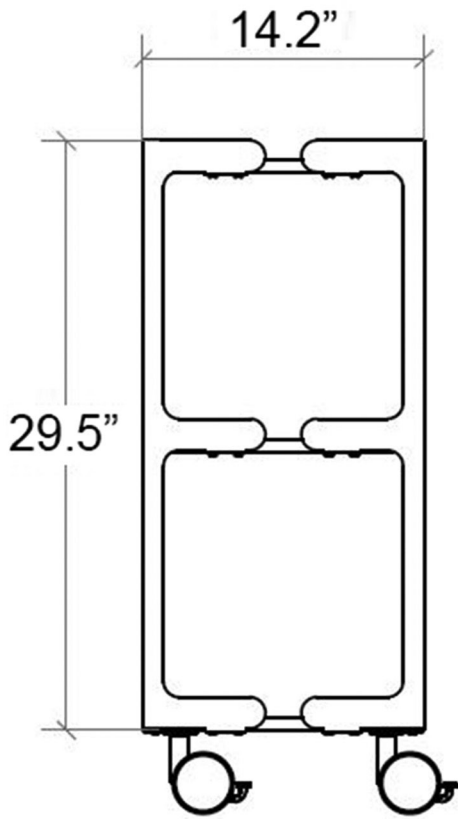
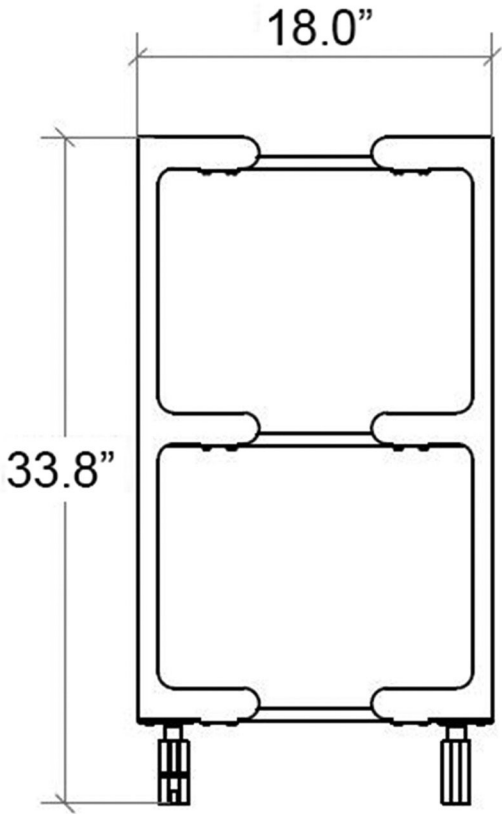
1 inch = 25.4 mm

WS®
BATH
COLLECTIONS

1051 Lea Drive - Collegeville, PA 19426
Tel. 215 513 9400 - Fax 610 831 0215

www.ws bathcollections.com - info@ws bathcollectins.com

Product Specs Sheets



Collection
Runner

Model |
Careto 5450

Dimensions Metric
1 inch = 2.54 cm
1 inch = 25.4 mm



1051 Lea Drive - Collegeville, PA 19426
Tel. 215 513 9400 - Fax 610 831 0215
www.ws bathcollections.com - info@ws bathcollectins.com