

## Beauty 400T

### Features

- Magnifying Makeup Mirror
- Magnification: 5X
- Finish: Polished Chrome or Matte Black
- Wattage: 11W
- Power: Battery Operated
- Rated Life of LED Lights: 20,000 Hours
- Continuously Adjustable Light Range: Cool to Warm
- Brightness Range: Continuous from 610 Lux to 1245 Lux
- Auto-Off After 10 Minutes
- Mounting Back Plate: 3.0" W x 3.0" H




### SKU# | Options:

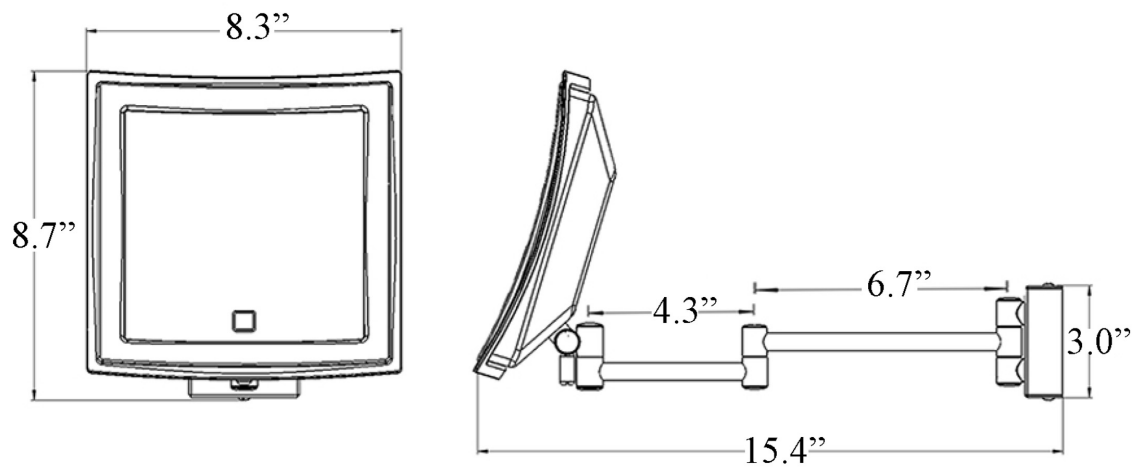
- Beauty 400T CR | Polished Chrome
- Beauty 400T BM | Matte Black

### Finishes:

-  Polished Chrome
-  Matte Black

\* WS Bath Collections reserves the right to revise dimensions or information on this sheet without notice

<b>Collection  </b> Beauty	<b>Model  </b> Beauty 400T	Dimensions Metric <i>1 inch = 2.54 cm</i> <i>1 inch = 25.4 mm</i>	 1051 Lea Drive - Collegeville, PA 19426 Tel. 215 513 9400 - Fax 610 831 0215 <a href="http://www.ws bathcollections.com">www.ws bathcollections.com</a> - <a href="mailto:info@ws bathcollections.com">info@ws bathcollections.com</a>
-------------------------------	-------------------------------	---	---



Collection  
Beauty

Model |  
Beauty 400T

Dimensions Metric

1 inch = 2.54 cm  
1 inch = 25.4 mm

**WS**<sup>®</sup>  
BATH  
COLLECTIONS

1051 Lea Drive - Collegeville, PA 19426  
Tel. 215 513 9400 - Fax 610 831 0215

[www.ws bathcollections.com](http://www.ws bathcollections.com) - [info@ws bathcollections.com](mailto:info@ws bathcollections.com)