

## Ambra 120L Pack 2

### Features

- Complete Vanity Unit With Mirror and Ambra Column
- Available in 6 Finishes: Glossy White, Nordic Oak, Anthracite, Samara Ash, Matte White, and Matte Sand
- Wall-hung design offers a clean, streamlined look
- Two soft close drawers with organizer in upper drawer
- Two soft close doors with 105 degree opening capability for easy cabinet access
- Includes integrated sink and vanity top in gloss white ceramic with faucet hole and overflow
- Fully assembled with structure and front made of engineered wood in wood finishes and high gloss lacquered
- Handle integrated in front of furniture
- Hidden hanging bracket directly assembled with great resistance and depth regulations
- Made in Spain







### Related Items:

- WSBC 53991 | Push Waste Drain
- WSBC 53922 | Decorative Trap

### SKU# | Options:

- Ambra 120L Pack 2 NO | Nordic Oak
- Ambra 120L Pack 2 SA | Samara Ash
- Ambra 120L Pack 2 WG | Glossy White
- Ambra 120L Pack 2 AN | Anthracite
- Ambra 120L Pack 2 WM | Matte White
- Ambra 120L Pack 2 SM | Matte Sand


### Finishes:

-  Nordic Oak
-  Samara Ash
-  Glossy White
-  Anthracite
-  Matte White
-  Matte Sand

### Codes & Standards:

- CARB2 Compliant and Certified
- TSCA Compliant and Certified

\* WS Bath Collections reserves the right to revise dimensions or information on this sheet without notice

<b>Collection  </b> Ambra	<b>Model  </b> Ambra 120L Pack 2	Dimensions Metric <i>1 inch = 2.54 cm</i> <i>1 inch = 25.4 mm</i>	 1051 Lea Drive - Collegeville, PA 19426 Tel. 215 513 9400 - Fax 610 831 0215 <a href="http://www.ws bathcollections.com">www.ws bathcollections.com</a> - <a href="mailto:info@ws bathcollections.com">info@ws bathcollections.com</a>
------------------------------	-------------------------------------	---	---

## Technical features

Technical drawing	Name	Material	Colour	Colour
	<b>SLIM</b>			Gloss White
	<b>AMBRA</b> 1 Door / 2 Drawers / 1 Door	   	   	Nordic Oak Samara Ash Gloss White Anthracite

## Technical information

STRUCTURE	MDF board in 5/8 in. continuous wrapping in 2D/ Cyclum Process.
FRONT	MDF board in 5/8 in. continuous wrapping in 2D/ Cyclum Process.
HANDLE	Integrated in the front of the furniture.
DRAWER	Drawers made in mokka textile poly laminate coated board with hidden partial extraction runners with soft close system. Includes organizer in upper drawer. Lower drawer useful space (widthxheightxdepth): 20 <sup>1/16</sup> x 4 <sup>5/16</sup> x 12 <sup>2/4</sup> in.
WALL HANGING BRACKET	Hidden hanging bracket of directly assembled with great resistance and depth regulations.
HINGE	105° opening, 1 <sup>3/8</sup> in. cap, easy assembly and soft close system.
LEGS	Metallic in bright chrome finish. (optional)
PIPE DEPTH	Pipe depth 2 <sup>1/54</sup> in.

Collection  
Ambra

Model |  
Ambra 120L

Dimensions Metric  
1 inch = 2.54 cm  
1 inch = 25.4 mm

**WS**<sup>®</sup>  
BATH  
COLLECTIONS

1051 Lea Drive - Collegeville, PA 19426  
Tel. 215 513 9400 - Fax 610 831 0215  
[www.ws bathcollections.com](http://www.ws bathcollections.com) - [info@ws bathcollections.com](mailto:info@ws bathcollections.com)



ES

EN

Las cotas indicadas en los dibujos son en función de la altura de la pata del conjunto, en caso de que el mueble vaya suspendido y esta altura no se respete, dichas cotas también variarán.

Dimensions indicated in the drawing are based on the level of the whole leg, in case of wall hanging the furniture dimensions also may vary.

Collection  
Ambra

Model |  
Ambra 120L

Dimensions Metric

1 inch = 2.54 cm  
1 inch = 25.4 mm

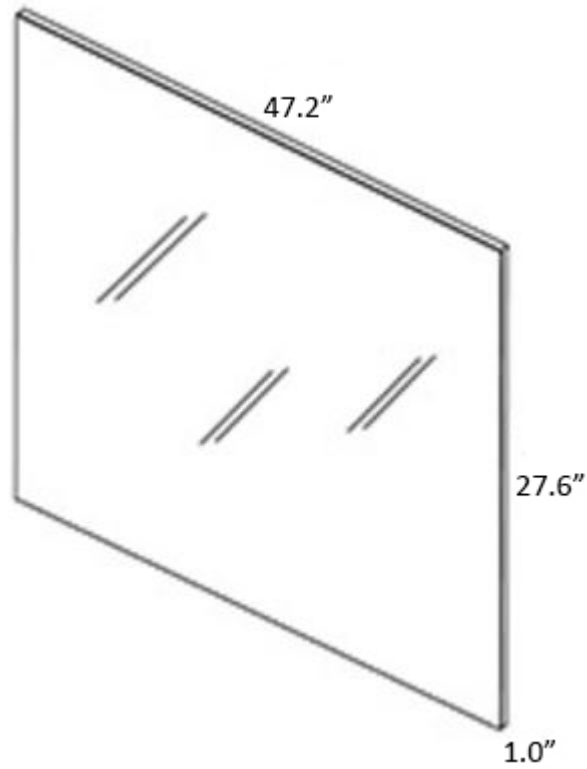
WS<sup>®</sup>

BATH  
COLLECTIONS

1051 Lea Drive - Collegeville, PA 19426

Tel. 215 513 9400 - Fax 610 831 0215

[www.ws bathcollections.com](http://www.ws bathcollections.com) - [info@ws bathcollections.com](mailto:info@ws bathcollections.com)



Collection  
Murano

Model |  
Murano 120

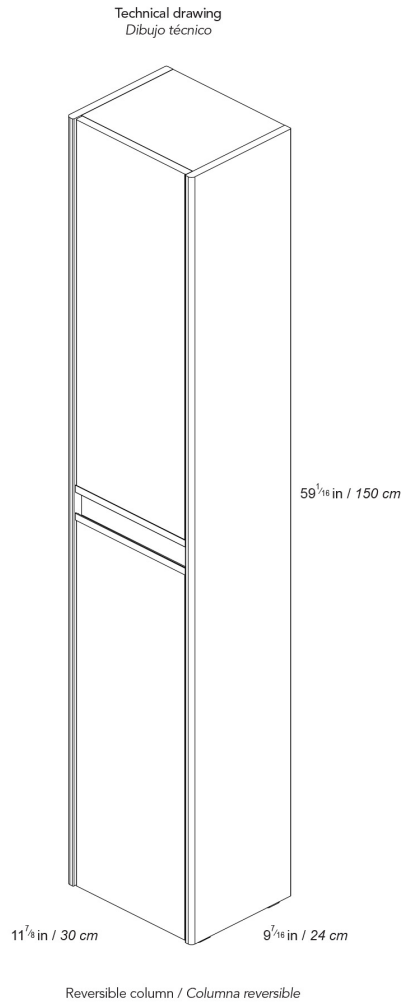
Dimensions Metric  
*1 inch = 2.54 cm*  
*1 inch = 25.4 mm*

**WS**<sup>®</sup>  
BATH  
COLLECTIONS

1051 Lea Drive - Collegeville, PA 19426  
Tel. 215 513 9400 - Fax 610 831 0215

[www.ws bathcollections.com](http://www.ws bathcollections.com) - [info@ws bathcollections.com](mailto:info@ws bathcollections.com)

Technical features / Características técnicas



Name  
Nombre

Material  
Material

Colour  
Color



**AMBRA**

2 Doors  
2 Puertas



Technical information / Información técnica

STRUCTURE /  
ESTRUCTURA: MDF board in 58 in. continous wrapping in 2D/ Cyclum Process.  
Tablero de DM de 16 mm. con recubrimiento 2D Cyclum Process.

FRONT /  
FRENTE: MDF board in 58 in. continous wrapping in 2D/ Cyclum Process.  
Tablero de DM de 16 mm. con recubrimiento 2D Cyclum Process.

HANDLE /  
TIRADOR: Integrated in the front of the furniture.  
Tirador integrado en el frente.

INTERNAL DISRTIBUTION/  
DISTRIBUCIÓN INTERNA: 2 mobile wooden shelves and 1 fixed wooden shelf.  
2 estantes móviles de madera y 1 estante fijo de madera.

HINGE /  
BISAGRA: 105° opening, Ø1<sup>3</sup>/<sub>8</sub> in. cap, easy assembly and soft close system.  
105° de apertura, cazoleta de Ø35 mm., montaje rápido y cierre amortiguado incorporado.

Collection  
Ambra

Model |  
Ambra Column

Dimensions Metric

1 inch = 2.54 cm  
1 inch = 25.4 mm

**WS**<sup>®</sup>  
BATH  
COLLECTIONS

1051 Lea Drive - Collegeville, PA 19426  
Tel. 215 513 9400 - Fax 610 831 0215

[www.ws bathcollections.com](http://www.ws bathcollections.com) - [info@ws bathcollections.com](mailto:info@ws bathcollections.com)

We recommend the following items that work with your sink.

Ambra 120L Pack 2

## TRAPS



WSBC 53922  
*Our best seller*

Polished Chrome  
WSBC 53922.29

Matte Black  
WSBC 53922.22



WSBC 5392

Polished Chrome  
WSBC 5392.29



WSBC 53925

Polished Chrome  
WSBC 53925.29



WSBC 53921  
*Space saving*

Polished Chrome  
WSBC 53921.29

Matte Black  
WSBC 53921.22

## DRAINS



WSBC 53991  
Push waste drain (click clack)  
*with overflow*

Polished Chrome  
WSBC 53991.29

Matte Black  
WSBC 53991.22

## MOUNTING HARDWARE

### Wall-mount installation

### Vessel/ countertop installation



Bolts



Silicone (optional)

Collection  
Ambra

Model |  
Ambra 120L Pack 2

Dimensions Metric  
*1 inch = 2.54 cm*  
*1 inch = 25.4 mm*

WS<sup>®</sup>  
BATH  
COLLECTIONS

1051 Lea Drive - Collegeville, PA 19426  
Tel. 215 513 9400 - Fax 610 831 0215  
[www.ws bathcollections.com](http://www.ws bathcollections.com) - [info@ws bathcollections.com](mailto:info@ws bathcollections.com)