

Ambra 100 Pack 1 S02

Features

- Complete Vanity Unit with Lighted Mirror (Simply L00200)
- Available in 4 Finishes: Glossy White, Nordic Oak, Anthracite, and Samara Ash
- Wall-hung design offers a clean, streamlined look
- Two soft close drawers with organizer in upper drawer
- Includes integrated sink and vanity top in gloss white ceramic with faucet hole and overflow
- Fully assembled structure and front made of engineered wood in wood finishes and high gloss lacquered
- Handle integrated in front of furniture
- Hidden hanging bracket directly assembled with great resistance and depth regulations
- Made in Spain







Related Items:

- WSBC 53991 | Push Waste Drain
- WSBC 53922 | Decorative Trap


SKU# | Options

- Ambra 100 Pack 1 S02 NO | Nordic Oak
- Ambra 100 Pack 1 S02 SA | Samara Ash
- Ambra 100 Pack 1 S02 WG | Glossy White
- Ambra 100 Pack 1 S02 AN | Anthracite

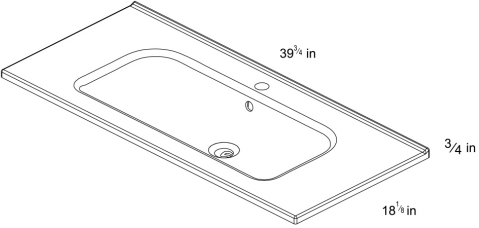


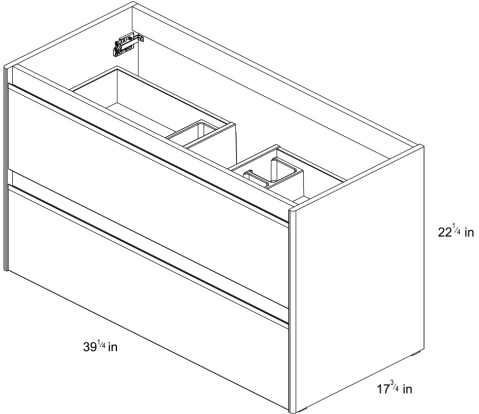








Finishes

-  Nordic Oak
-  Samara Ash
-  Glossy White
-  Anthracite

* WS Bath Collections reserves the right to revise dimensions or information on this sheet without notice

| | | | |
|----------------------------|--|--|---|
| Collection Ambra | Model Ambra 100 Pack 1 S02 | Dimensions Metric <i>1 inch = 2.54 cm</i> <i>1 inch = 25.4 mm</i> |  1051 Lea Drive - Collegeville, PA 19426 Tel. 215 513 9400 - Fax 610 831 0215 www.ws bathcollections.com - info@ws bathcollectins.com |
|----------------------------|--|--|---|

Technical features

| Technical drawing | Name | Material | Colour | Colour |
|--|---------------------------|---|---|---|
|  | SLIM |  |  | Gloss White |
|  | AMBRA 2 Drawers |     |     | Nordic Oak Samara Ash Gloss White Anthracite |

Technical information

| | |
|----------------------|--|
| STRUCTURE | MDF board in 58 in. continous wrapping in 2D/ Cyclum Process. |
| FRONT | MDF board in 58 in. continous wrapping in 2D/ Cyclum Process. |
| HANDLE | Integrated in the front of the furniture. |
| DRAWER | Drawers made in mokka textile poly laminate coated board with hidden parcial extraction runners with soft close system. Includes organizer in upper drawer. Lower drawer useful space (widexhighxdepth): 35 ^{15/16} x 4 ^{5/16} x 12 ^{2/4} in. |
| WALL HANGING BRACKET | Hidden hanging bracket of directly assembled with great resistance and depth regulations. |
| LEGS | Metallic in bright chrome finish. (optional) |
| PIPE DEPTH | Pipe depth 2 ^{1/54} in. |

Collection
Ambra

Model |
Ambra 100

Dimensions Metric
1 inch = 2.54 cm
1 inch = 25.4 mm

WS[®]
BATH
COLLECTIONS

1051 Lea Drive - Collegeville, PA 19426
Tel. 215 513 9400 - Fax 610 831 0215

www.ws bathcollections.com - info@ws bathcollections.com



ES

EN

Las cotas indicadas en los dibujos son en función de la altura de la pata del conjunto, en caso de que el mueble vaya suspendido y esta altura no se respete, dichas cotas también variarán.

Dimensions indicated in the drawing are based on the level of the whole leg, in case of wall hanging the furniture dimensions also may vary.

Collection
Ambra

Model |
Ambra 100

Dimensions Metric

1 inch = 2.54 cm
1 inch = 25.4 mm

WS[®]

BATH
COLLECTIONS

1051 Lea Drive - Collegeville, PA 19426

Tel. 215 513 9400 - Fax 610 831 0215

www.ws bathcollections.com - info@ws bathcollections.com

Product Specs Sheets

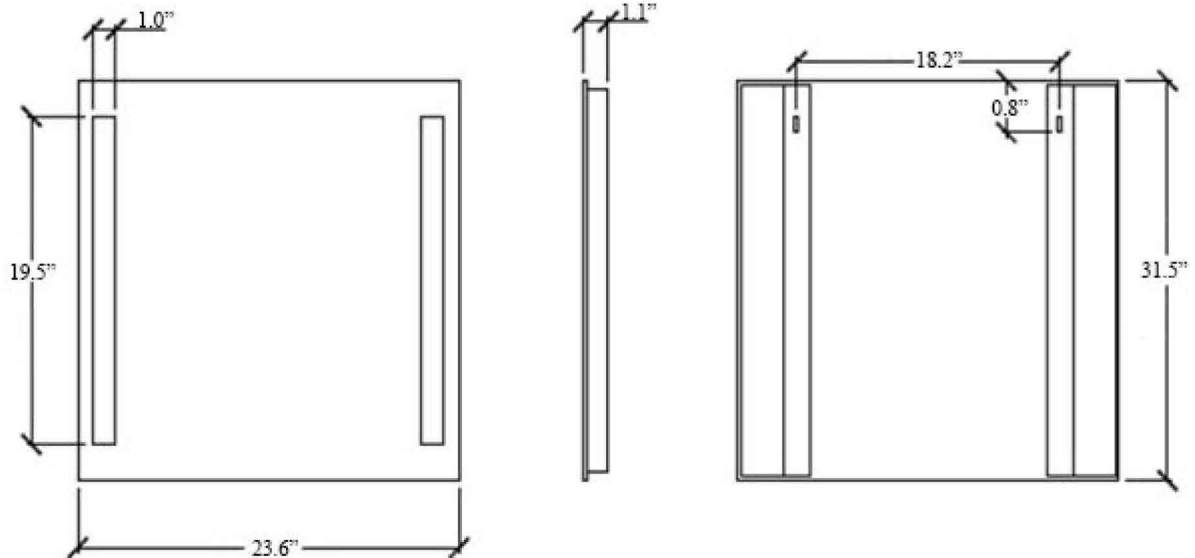
TECHNICAL INFORMATION:

The LED's assembled in Italy, are easily replaceable.
 110 V, Class III, IP44, LED on rigid support 2 x 5 WATT
 measuring 49.5 x 2.5cm
 1000 lumens of natural light color (> 4000K)
 CE
 Comply with the directives 2006/95 / EC and 2004/108 / EC in
 terms of electrical safety and electromagnetic compatibility

MATERIALS:

High-quality glass,
 thickness 4 mm,
 ecological production without lead and copper.
 Structure of anodized aluminium

COMPATIBILITY ENERGY:



Collection
Simply

Model |
Simply L00200

Dimensions Metric
 1 inch = 2.54 cm
 1 inch = 25.4 mm

WS[®]
BATH
COLLECTIONS

1051 Lea Drive - Collegeville, PA 19426
 Tel. 215 513 9400 - Fax 610 831 0215
www.ws bathcollections.com - info@ws bathcollections.com

We recommend the following items that work with your sink.

TRAPS



WSBC 53922
Our best seller

DRAINS



WSBC 53991
Push waste drain (click clack)
with overflow

MOUNTING HARDWARE

Wall-mount installation

Vessel/ countertop installation



Bolts



Silicone (*optional*)

Collection
Ambra

Model |
Ambra 100 Pack 1 S02

Dimensions Metric
1 inch = 2.54 cm
1 inch = 25.4 mm

WS®
BATH
COLLECTIONS

1051 Lea Drive - Collegeville, PA 19426
Tel. 215 513 9400 - Fax 610 831 0215

www.ws bathcollections.com - info@ws bathcollections.com