

Features


- Ceramic
- With overflow
- Countertop or wall-mount installation
- With faucet hole
- ADA Compliant

Start 50W

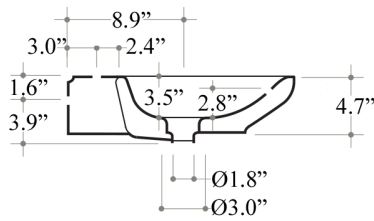
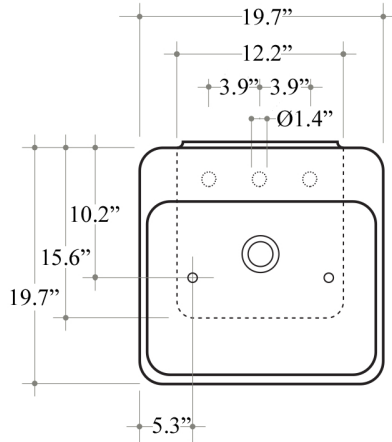


SKU# | Option:

- Start 50W | White

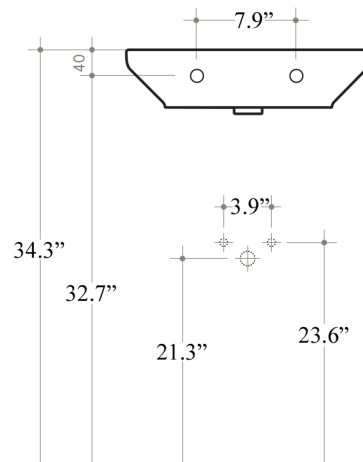
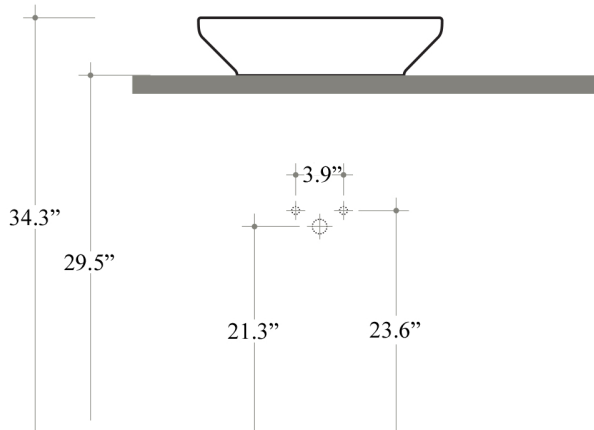
<p>Collection Start</p>	<p>Model Start 50W</p>	<p>Dimensions Metric <i>1 inch = 2.54 cm</i> <i>1 inch = 25.4 mm</i></p>	 <p>1051 Lea Drive - Collegeville, PA 19426 Tel. 215 513 9400 - Fax 610 831 0215 www.ws bathcollections.com - info@ws bathcollectins.com</p>
------------------------------------	-------------------------------------	--	---

Bathroom Sink
 19.7" L x 19.7" W x 4.7" H
 With Overflow
 30 LBS
 Capacity Tank: 5 Lt.
 Vessel / Wall Mount Installation



Vessel

Wall Mount



Collection
 Ceramica
 Start

Model |
 Start 50W

Dimensions Metric
 1 inch = 2.54 cm
 1 inch = 25.4 mm

WS[®]
BATH
COLLECTIONS

1051 Lea Drive - Collegeville, PA 19426
 Tel. 215 513 9400 - Fax 610 831 0215
www.ws bathcollections.com - info@ws bathcollections.com

We recommend the following items that work with your sink.

TRAPS



WSBC 53922
Our best seller



WSBC 5392



WSBC 53925



WSBC 53921
Space saving

DRAINS



WSBC 53991
Push waste drain (click clack)
with overflow

MOUNTING HARDWARE

Wall-mount installation

Vessel/ countertop installation



Bolts



Silicone (*optional*)

Collection
Ceramica
Start

Model |
Start 50W

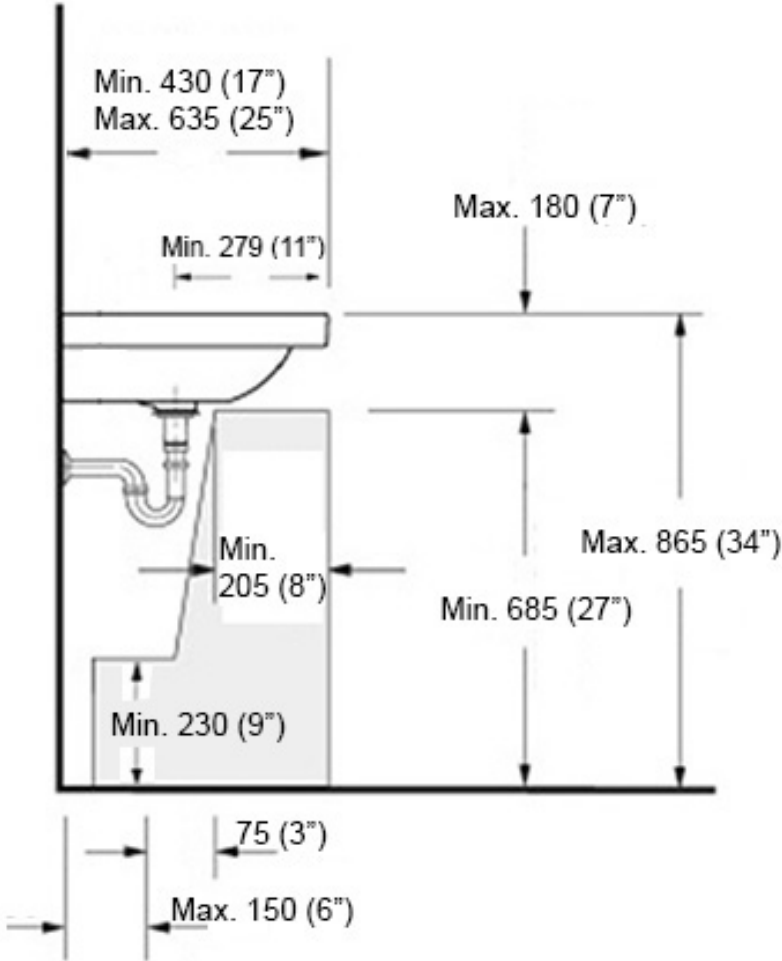
Dimensions Metric
1 inch = 2.54 cm
1 inch = 25.4 mm

WS[®]
BATH
COLLECTIONS


1051 Lea Drive - Collegeville, PA 19426
Tel. 215 513 9400 - Fax 610 831 0215

www.ws bathcollections.com - info@ws bathcollections.com

Recommended ADA Installation



Note: ADA Compliant when installed in accordance with ADA guidelines

<p>Collection Start</p>	<p>Model Start 50W</p>	<p>Dimensions Metric 1 inch = 2.54 cm 1 inch = 25.4 mm</p>	 <p>1051 Lea Drive - Collegeville, PA 19426 Tel. 215 513 9400 - Fax 610 831 0215 www.ws bathcollections.com - info@ws bathcollectins.com</p>
------------------------------------	-------------------------------------	--	---