

Features


- Ceramic
- With overflow
- Countertop or wall-mount installation
- ADA Compliant

Nova 75



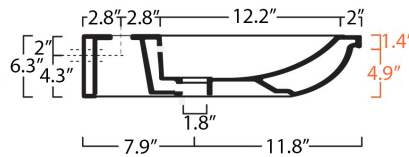
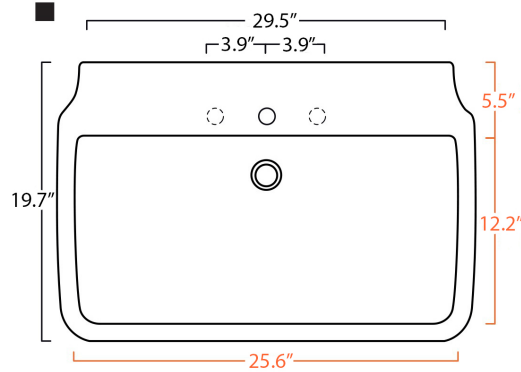
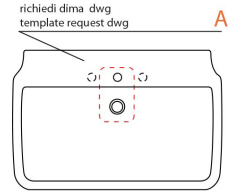
SKU# | Option:

- Nova 75.00 | No faucet hole
- Nova 75.03 | Three faucet holes

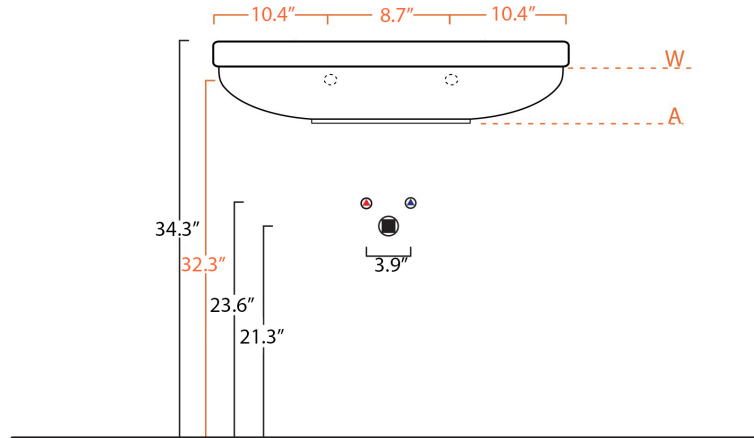
<p>Collection Nova</p>	<p>Model Nova 75</p>	<p>Dimensions Metric <i>1 inch = 2.54 cm</i> <i>1 inch = 25.4 mm</i></p>	 <p>1051 Lea Drive - Collegeville, PA 19426 Tel. 215 513 9400 - Fax 610 831 0215 www.ws bathcollections.com - info@ws bathcollectins.com</p>
-----------------------------------	-----------------------------------	--	---

○ = smaltato perimetralmente
all glazed sides

■ = non smaltato dietro
unglazed behind



U= sottopiano
undercounter
I = incasso
inset
A = appoggio
freestanding
W= sospeso
wall hung



Collection
Pqxc

Model |
Pqxc'97 "

Dimensions Metric
1 inch = 2.54 cm
1 inch = 25.4 mm

WS[®]
BATH
COLLECTIONS

1051 Lea Drive - Collegeville, PA 19426
Tel. 215 513 9400 - Fax 610 831 0215
www.wsbathcollections.com - info@wsbathcollections.com

We recommend the following items that work with your sink.

TRAPS



WSBC 53922
Our best seller



WSBC 5392



WSBC 53925



WSBC 53921
Space saving

DRAINS



WSBC 53991
Push waste drain (click clack)
with overflow

MOUNTING HARDWARE

Wall-mount installation

Vessel/ countertop installation



Bolts



Silicone (*optional*)

Collection
Pqxc

Model |
Pqxc'97

Dimensions Metric
1 inch = 2.54 cm
1 inch = 25.4 mm

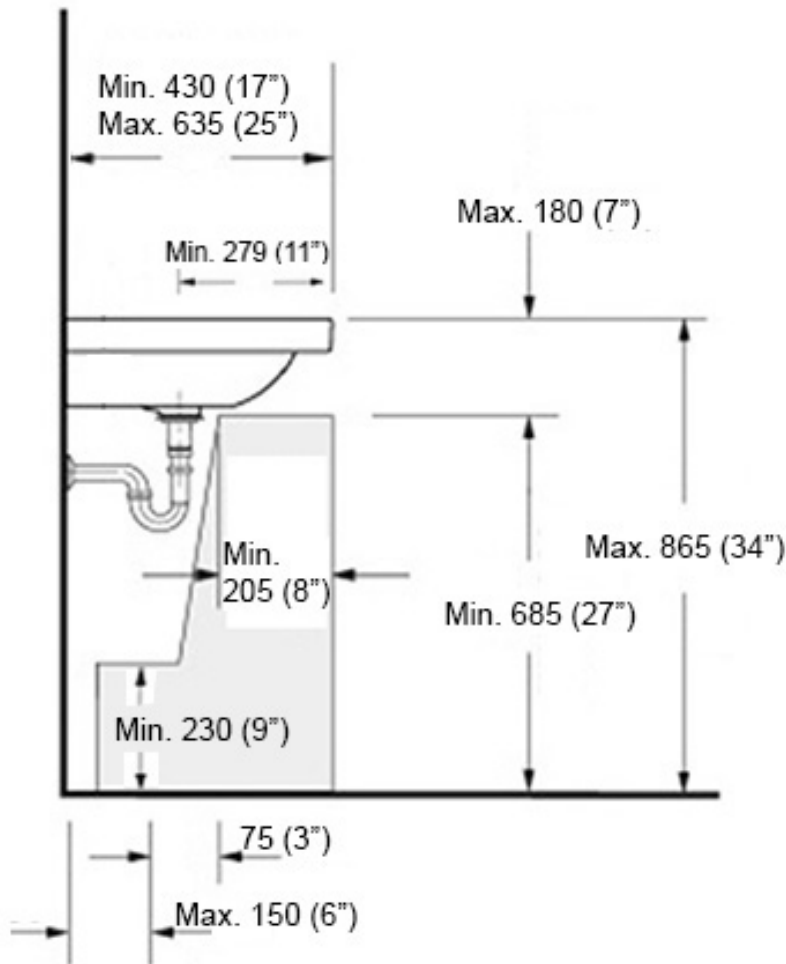
WS[®]

**BATH
COLLECTIONS**

1051 Lea Drive - Collegeville, PA 19426
Tel. 215 513 9400 - Fax 610 831 0215

www.ws bathcollections.com - info@ws bathcollections.com

Recommended ADA Installation



Note: ADA Compliant when installed in accordance with ADA guidelines

<p>Collection Nova</p>	<p>Model Nova 75</p>	<p>Dimensions Metric 1 inch = 2.54 cm 1 inch = 25.4 mm</p>	<p>WS[®] BATH COLLECTIONS 1051 Lea Drive - Collegeville, PA 19426 Tel. 215 513 9400 - Fax 610 831 0215 www.wsbatchcollections.com - info@wsbatchcollectins.com</p>
-----------------------------------	-----------------------------------	--	--