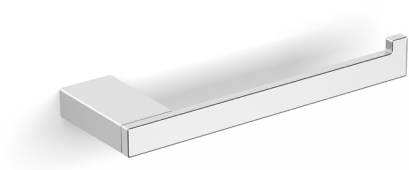


Features

- Toilet Paper Holder
- Polished Chrome Finish
- Solid Brass Base
- Includes Mounting Hardware

Evo WSBC 31004 CR




SKU# | Option:

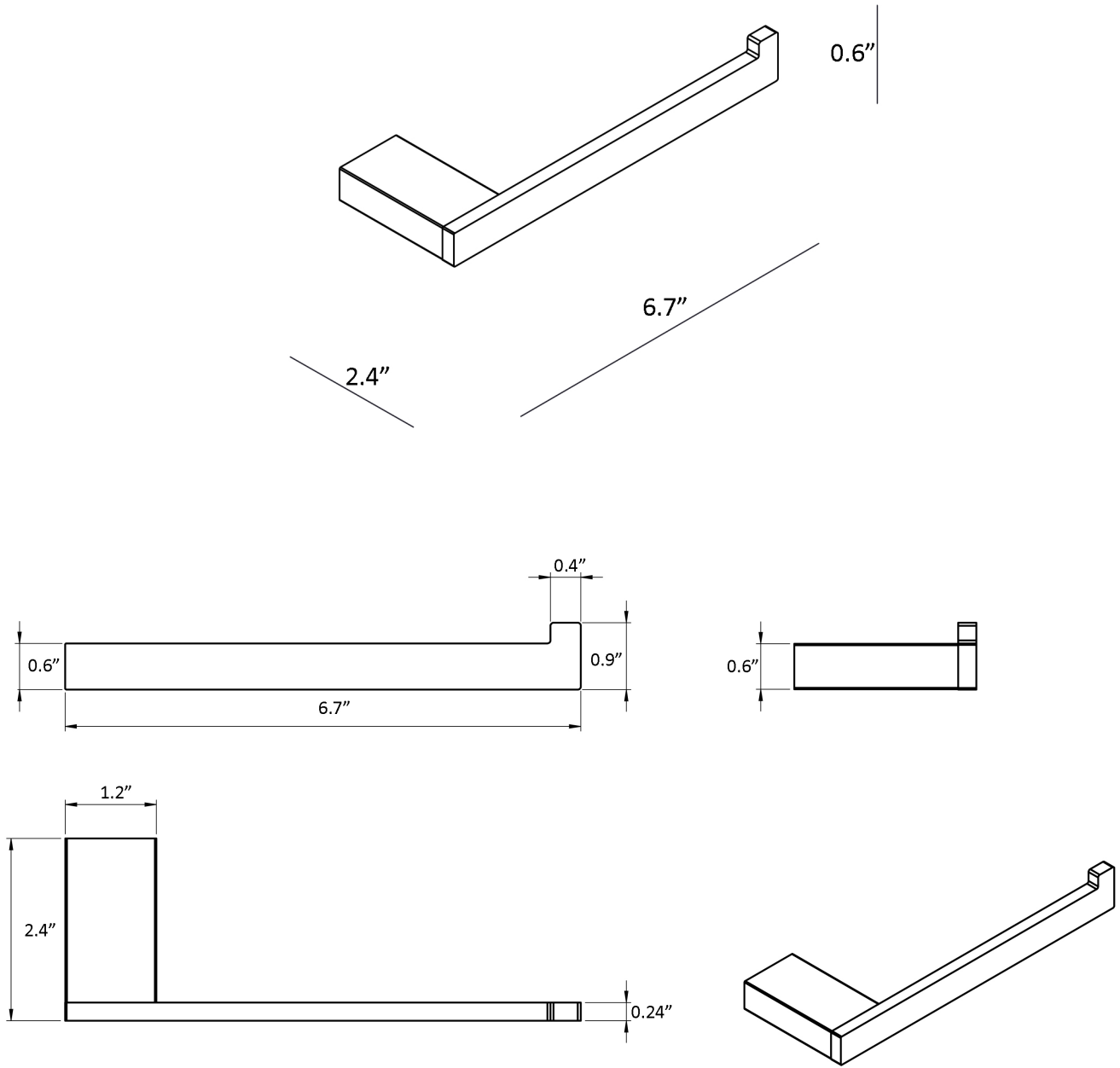
- Evo WSBC 31004 CR | Polished chrome

Finishes

|||| CR Polished Chrome

<p>Collection Evo</p>	<p>Model Evo WSBC 31004</p>	<p>Dimensions Metric <i>1 inch = 2.54 cm</i> <i>1 inch = 25.4 mm</i></p>	 <p>1051 Lea Drive - Collegeville, PA 19426 Tel. 215 513 9400 - Fax 610 831 0215 www.ws bathcollections.com - info@ws bathcollectins.com</p>
----------------------------------	--	--	---

Product Specs Sheets



Collection
Evo

Model |
Evo WSBC 31026

Dimensions Metric
1 inch = 2.54 cm
1 inch = 25.4 mm

WS®
BATH
COLLECTIONS

1051 Lea Drive - Collegeville, PA 19426
Tel. 215 513 9400 - Fax 610 831 0215
www.ws bathcollections.com - info@ws bathcollections.com