

## Ambra 80F Base

### Features

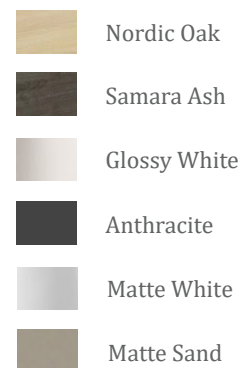
- Vanity Base Unit
- Available in 6 Finishes: Glossy White, Nordic Oak, Anthracite, Samara Ash, Matte White, and Matte Sand
- Free Standing Installation with Four Legs in Bright Chrome
- Two soft close drawers with hidden parcel extraction runners and organizer in upper drawer
- Fully assembled structure and front made of engineered wood in wood finishes and high gloss lacquered
- Handle integrated in front of furniture
- Does not include vanity top or sink
- Made in Spain




### SKU# | Options

- Ambra 80F NO Base | Nordic Oak
- Ambra 80F SA Base | Samara Ash
- Ambra 80F WG Base | Glossy White
- Ambra 80F AN Base | Anthracite
- Ambra 80F WM Base | Matte White
- Ambra 80F SM Base | Matte Sand

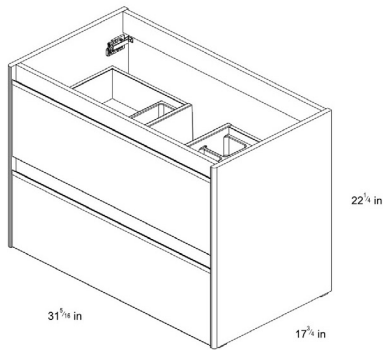
### Finishes



\* WS Bath Collections reserves the right to revise dimensions or information on this sheet without notice

<b>Collection</b> Ambra	<b>Model  </b> Ambra 80F Base	<b>Dimensions Metric</b> <i>1 inch = 2.54 cm</i> <i>1 inch = 25.4 mm</i>	 1051 Lea Drive - Collegeville, PA 19426 Tel. 215 513 9400 - Fax 610 831 0215 <a href="http://www.ws bathcollections.com">www.ws bathcollections.com</a> - <a href="mailto:info@ws bathcollectins.com">info@ws bathcollectins.com</a>
----------------------------	----------------------------------	--	---

*Technical features*



**AMBRA**  
2 Drawers



Nordic Oak



Samara Ash



Gloss White



Anthracite



Matte Sand



Matte White



**LEGS**



Chrome

*Technical information*

**STRUCTURE** MDF board in 58 in. continuous wrapping in 2D/ Cyclum Process.

**FRONT** MDF board in 58 in. continuous wrapping in 2D/ Cyclum Process.

**HANDLE** Integrated in the front of the furniture.

**DRAWER** Drawers made in mokka textile poly laminate coated board with hidden partial extraction runners with soft close system. Includes organizer in upper drawer. Lower drawer useful space (widthxhighxdepth): 27<sup>15/16</sup> x 4<sup>5/16</sup> x 12<sup>3/4</sup> in.

**WALL HANGING BRACKET** Hidden hanging bracket of directly assembled with great resistance and depth regulations.

**LEGS** Metallic in bright chrome finish. (optional)

**PIPE DEPTH** Pipe depth 2<sup>1/54</sup> in.

**Collection**  
Ambra

**Model |**  
Ambra 80F Base

**Dimensions Metric**

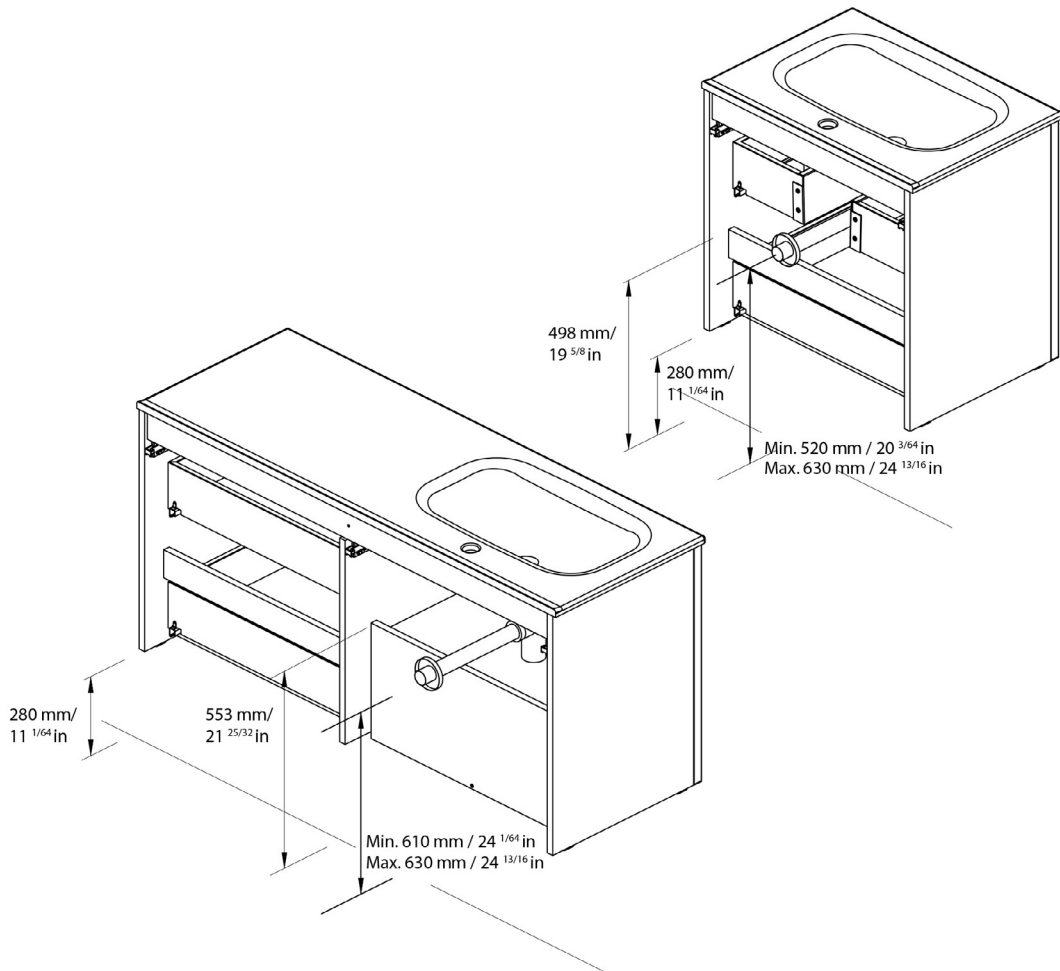
1 inch = 2.54 cm

1 inch = 25.4 mm



1051 Lea Drive - Collegeville, PA 19426  
Tel. 215 513 9400 - Fax 610 831 0215

[www.ws bathcollections.com](http://www.ws bathcollections.com) - [info@ws bathcollectins.com](mailto:info@ws bathcollectins.com)



ES

EN

Las cotas indicadas en los dibujos son en función de la altura de la pata del conjunto, en caso de que el mueble vaya suspendido y esta altura no se respete, dichas cotas también variarán.

Dimensions indicated in the drawing are based on the level of the whole leg, in case of wall hanging the furniture dimensions also may vary.

**Collection**  
Ambra

**Model** |  
Ambra 80F Base

Dimensions Metric

1 inch = 2.54 cm  
1 inch = 25.4 mm

**WS**®  
**BATH**  
**COLLECTIONS**

1051 Lea Drive - Collegeville, PA 19426  
Tel. 215 513 9400 - Fax 610 831 0215

[www.ws bathcollections.com](http://www.ws bathcollections.com) - [info@ws bathcollectins.com](mailto:info@ws bathcollectins.com)