

Ambra 90 Base

Features

- Vanity Base Unit
- Available in 6 Finishes: Glossy White, Nordic Oak, Anthracite, Samara Ash, Matte White, and Matte Sand
- Wall-hung design offers a clean, streamlined look
- Two soft close drawers with hidden parcel extraction runners and organizer in upper drawer
- Fully assembled with structure and front made of engineered wood in wood finishes and high gloss lacquered
- Handle integrated in front of furniture
- Does not include vanity top or sink
- Made in Spain




SKU# | Options:

- Ambra 90 NO Base | Nordic Oak
- Ambra 90 SA Base | Samara Ash
- Ambra 90 WG Base | Glossy White
- Ambra 90 AN Base | Anthracite
- Ambra 90 WM Base | Matte White
- Ambra 90 SM Base | Matte Sand

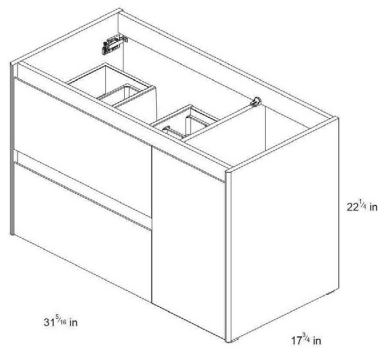
Finishes:

-  Nordic Oak
-  Samara Ash
-  Glossy White
-  Anthracite
-  Matte White
-  Matte Sand

* WS Bath Collections reserves the right to revise dimensions or information on this sheet without notice

| | | | |
|------------------------------|---------------------------------|---|---|
| Collection Ambra | Model Ambra 90 Base | Dimensions Metric <i>1 inch = 2.54 cm</i> <i>1 inch = 25.4 mm</i> |  1051 Lea Drive - Collegeville, PA 19426 Tel. 215 513 9400 - Fax 610 831 0215 www.ws bathcollections.com - info@ws bathcollections.com |
|------------------------------|---------------------------------|---|---|

Technical features



Technical information

| | |
|----------------------|---|
| STRUCTURE | MDF board in 5/8 in. continuous wrapping in 2D/ Cyclum Process. |
| FRONT | MDF board in 5/8 in. continuous wrapping in 2D/ Cyclum Process. |
| HANDLE | Integrated in the front of the furniture. |
| DRAWER | Drawers made in mokka textile poly laminate coated board with hidden partial extraction runners with soft close system. Includes organizer in upper drawer. Lower drawer useful space (widthxhighxdepth): 20 1/16 x 4 5/16 x 12 2/4 in. |
| WALL HANGING BRACKET | Hidden hanging bracket of directly assembled with great resistance and depth regulations. |
| HINGE | 105° opening, 1 3/8 in. cap, easy assembly and soft close system. |
| LEGS | Metallic in bright chrome finish. (optional) |
| PIPE DEPTH | Pipe depth 2 1/64 in. |

Collection
Ambra

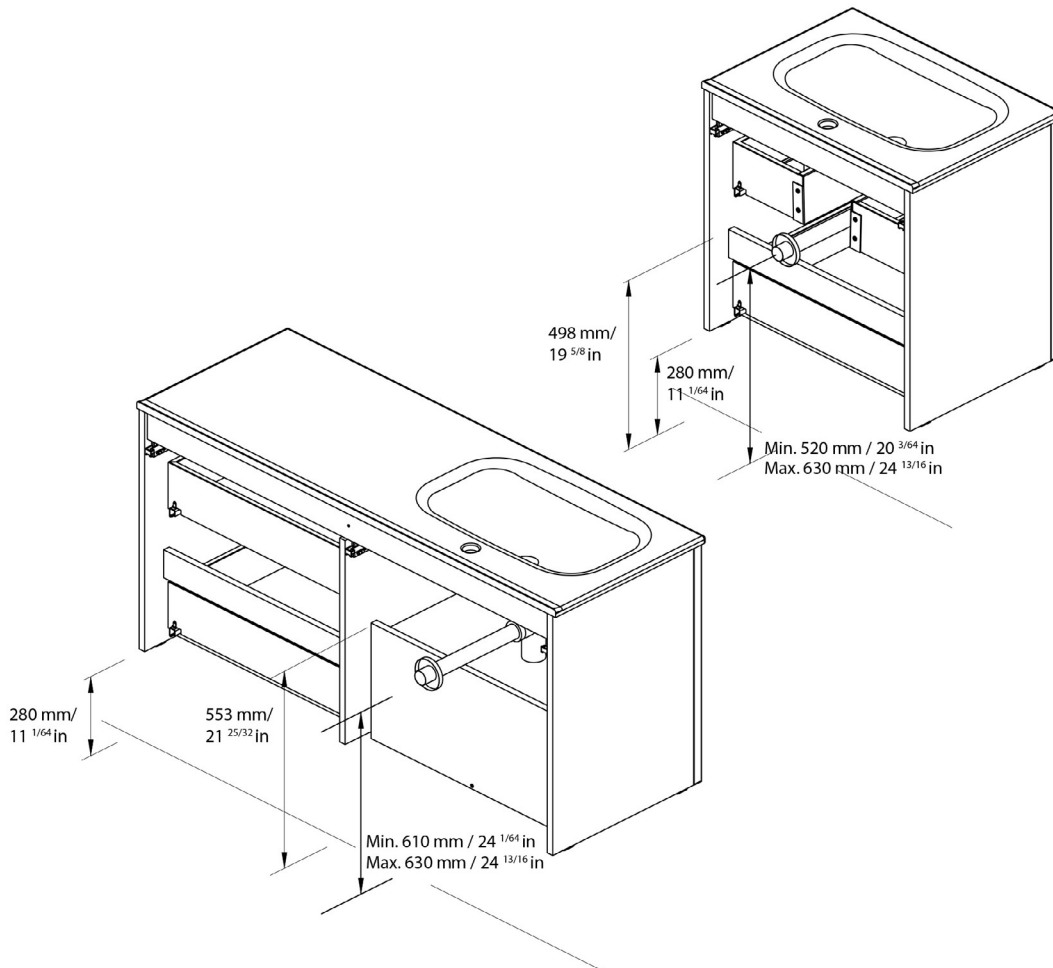
Model |
Ambra 90 Base

Dimensions Metric

1 inch = 2.54 cm
1 inch = 25.4 mm



1051 Lea Drive - Collegeville, PA 19426
Tel. 215 513 9400 - Fax 610 831 0215
www.ws bathcollections.com - info@ws bathcollections.com



ES

EN

Las cotas indicadas en los dibujos son en función de la altura de la pata del conjunto, en caso de que el mueble vaya suspendido y esta altura no se respete, dichas cotas también variarán.

Dimensions indicated in the drawing are based on the level of the whole leg, in case of wall hanging the furniture dimensions also may vary.

Collection
Ambra

Model |
Ambra 90 Base

Dimensions Metric

1 inch = 2.54 cm
1 inch = 25.4 mm

WS®
BATH
COLLECTIONS

1051 Lea Drive - Collegeville, PA 19426
Tel. 215 513 9400 - Fax 610 831 0215

www.ws bathcollections.com - info@ws bathcollections.com