

Features

- Magnifying Makeup Mirror
- With Touch Dimmer: Light Color Infinitely Adjustable
- Battery Operated
- On-off Function
- Automatic Off After 10 Minutes
- Magnification 5X
- Double Arm, Extendable, Swiveling
- Polished Chrome Finish
- Made of Satinised Glass, Solid Brass, and Acrylic
- Free of Distortion

WS 16 Touch



SKU# | Option:

- WS 16 Touch | Magnification 5X

Collection
Spiegel

Model |
WS 16 Touch

Dimensions Metric

1 inch = 2.54 cm

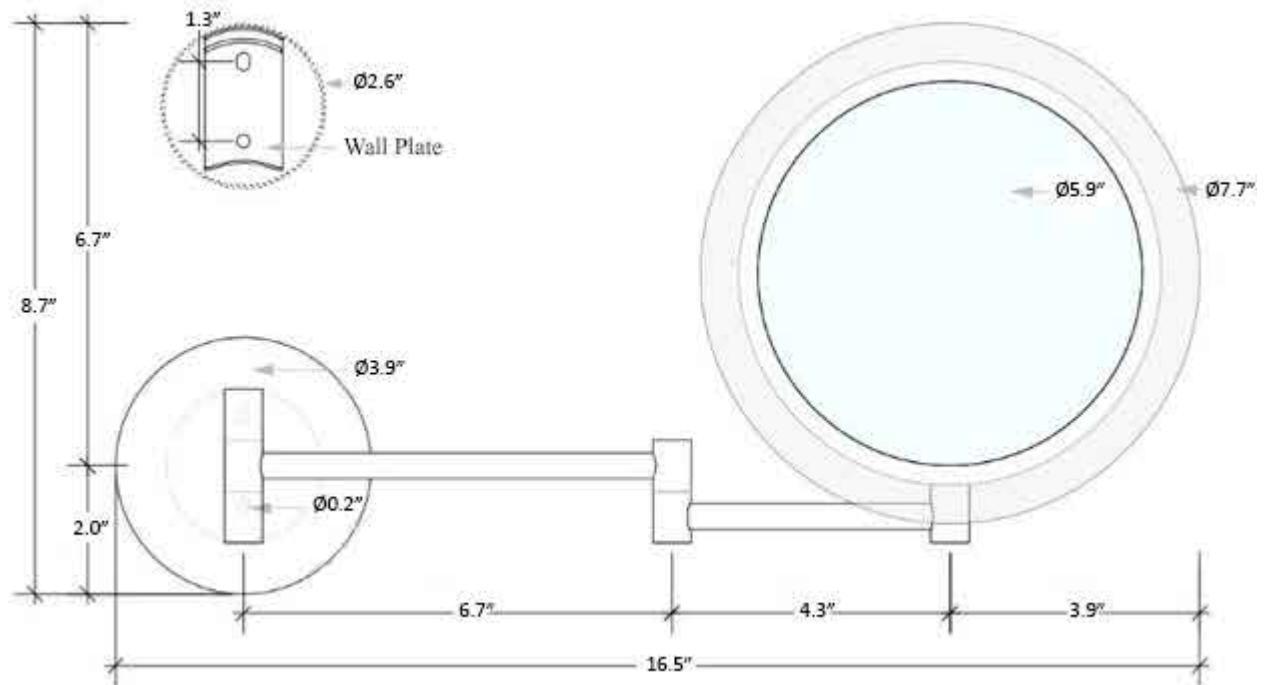
1 inch = 25.4 mm

WS[®]
BATH
COLLECTIONS

1051 Lea Drive - Collegeville, PA 19426
Tel. 215 513 9400 - Fax 610 831 0215

www.ws bathcollections.com - info@ws bathcollectins.com

Product Specs Sheets



Collection
Spiegel

Model |
WS 18"Vqvej

Dimensions Metric

1 inch = 2.54 cm
1 inch = 25.4 mm

WS[®]
BATH
COLLECTIONS

1051 Lea Drive - Collegeville, PA 19426
Tel. 215 513 9400 - Fax 610 831 0215
www.ws bathcollections.com - info@ws bathcollections.com

Product Specs Sheets

Type of Mirror	Cosmetic Mirror Wall Mounted Illuminated
Magnification	5 X
Shape	Round
Dimension	8.7" x 3.7" x 8.7" - 16.5"
Dimension of Mirror	Ø5.9"
Switching Function	On/Off Switch. Auto-off after 10 minutes. Includes 3 x AA Batteries
Weight	2.6 LBS
Raw Material	Brass, Satinised Glass, and Acrylic
Surface	Chrome, Nickel Satin
Lamp Details	36 x LED. 2.8W. 15000h, Light Color Infinitely Adjustable
Lamp Color	2900K - 6000k ; (warm, neutral, cold)
Location	Indoor



Collection
Spiegel

Model |
WS 18"Vqvej

Dimensions Metric

1 inch = 2.54 cm
1 inch = 25.4 mm

WS[®]
BATH
COLLECTIONS

1051 Lea Drive - Collegeville, PA 19426
Tel. 215 513 9400 - Fax 610 831 0215
www.ws bathcollections.com - info@ws bathcollections.com