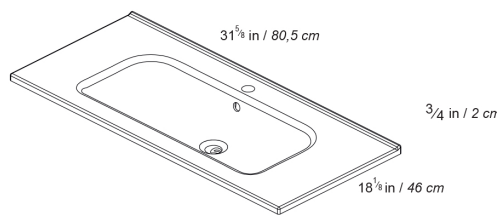


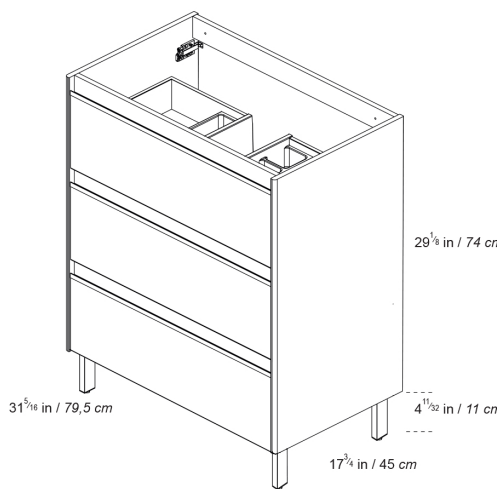







Technical features / Características técnicas

<p>Technical drawing Dibujo técnico</p> 	<p>Name Nombre</p> <p>SLIM</p>	<p>Material Material</p> 	<p>Colour Color</p> 
---	---	--	---

	<p>Name Nombre</p> <p>BELLE</p> <p>3 Drawers 3 Cajones</p> 	<p>Material Material</p>  	<p>Colour Color</p>  
--	---	---	--

Technical information / Información técnica

<p>STRUCTURE / ESTRUCTURA:</p>	<p>MDF board in 5/8 in. continous wrapping in 2D/ Cyclum Process. Tablero de DM de 16 mm. con recubrimiento 2D Cyclum Process.</p>
<p>FRONT / FRENTE:</p>	<p>MDF board in 5/8 in. continous wrapping in 2D/ Cyclum Process. Tablero de DM de 16 mm. con recubrimiento 2D Cyclum Process.</p>
<p>HANDLE / TIRADOR:</p>	<p>Metallic in bright chrome finish. Metálico en acabado cromo brillo.</p>
<p>DRAWER / CAJÓN:</p>	<p>Drawers made in mokka textile poly laminate coated board with hidden partial extraction runners with soft close system. Includes organizer in upper drawer. Lower drawer useful space (widthxhighxdepth): 27^{15/16} x 4^{5/16} x 12^{3/4} in. Cajones de estructura polilaminada textil mokka con guías ocultas de extracción parcial y cierre amortiguado. Incluye organizador en el cajón superior. Espacio útil del cajón inferior (anchoxaltxfondo): 71x11x32,5 cm.</p>
<p>WALL HANGING BRACKET / COLGADOR:</p>	<p>Hidden hanging bracket of directly assembled with great resistance and depth regulations. Colgador oculto de montaje directo, con gran resistencia a cargas y regulación en profundidad y altura.</p>
<p>LEGS / PATAS:</p>	<p>Bright chrome finish with adjustable leg. Acabado cromo brillo con regulación.</p>
<p>PIPE DEPTH / FONDO TUBERÍA:</p>	<p>Pipe depth 2^{3/8} in. Fondo de tubería 6 cm.</p>

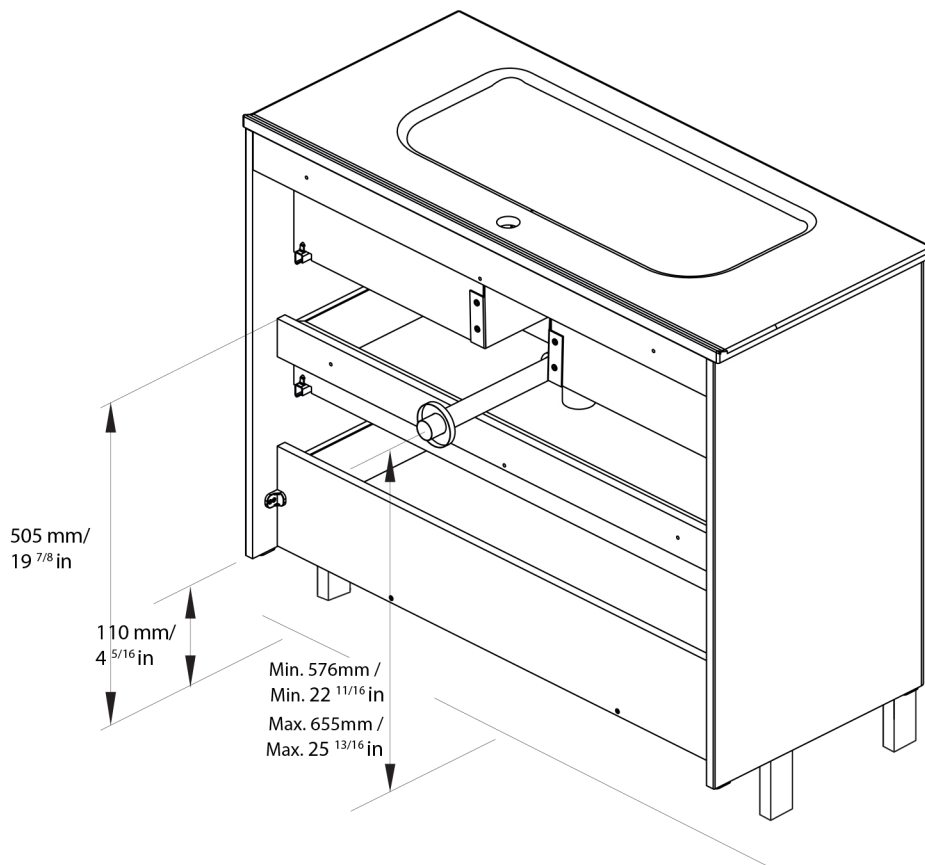
Collection
Dgnng

Model |
Dgnng : 2

Dimensions Metric
1 inch = 2.54 cm
1 inch = 25.4 mm

WS[®]
BATH
COLLECTIONS

1051 Lea Drive - Collegeville, PA 19426
Tel. 215 513 9400 - Fax 610 831 0215
www.ws bathcollections.com - info@ws bathcollections.com



ES

EN

Las cotas indicadas en los dibujos son en función de la altura de la pata del conjunto, en caso de que el mueble vaya suspendido y esta altura no se respete, dichas cotas también variarán.

Dimensions indicated in the drawing are based on the level of the whole leg, in case of wall hanging the furniture dimensions also may vary.

Collection
Dgnng

Model |
Dgnng : 0

Dimensions Metric

1 inch = 2.54 cm
1 inch = 25.4 mm



1051 Lea Drive - Collegeville, PA 19426
Tel. 215 513 9400 - Fax 610 831 0215
www.ws bathcollections.com - info@ws bathcollections.com

We recommend the following items that work with your sink.

TRAPS



Linea 53922
Our best seller



Linea 5392



Linea 53925



Linea 53921
Space saving

DRAINS



Linea 53991
Push waste drain (click clack)
with overflow

MOUNTING HARDWARE

Wall-mount installation

Vessel/ countertop installation



Bolts



Silicone (*optional*)

Collection
Dg nng

Model |
Dg nng": 2

Dimensions Metric

1 inch = 2.54 cm
1 inch = 25.4 mm

WS[®]
BATH
COLLECTIONS

1051 Lea Drive - Collegeville, PA 19426
Tel. 215 513 9400 - Fax 610 831 0215

www.ws bathcollections.com - info@ws bathcollections.com