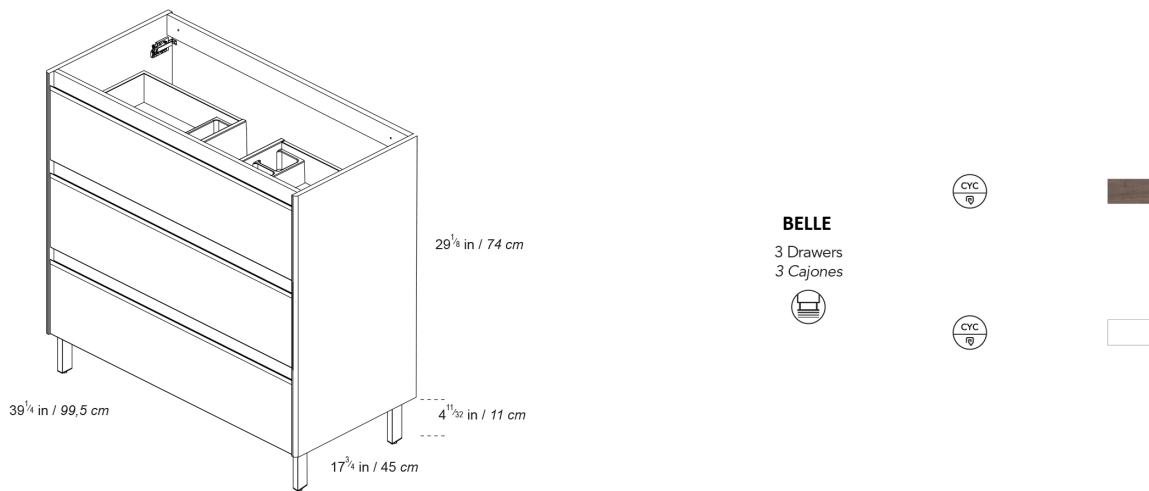
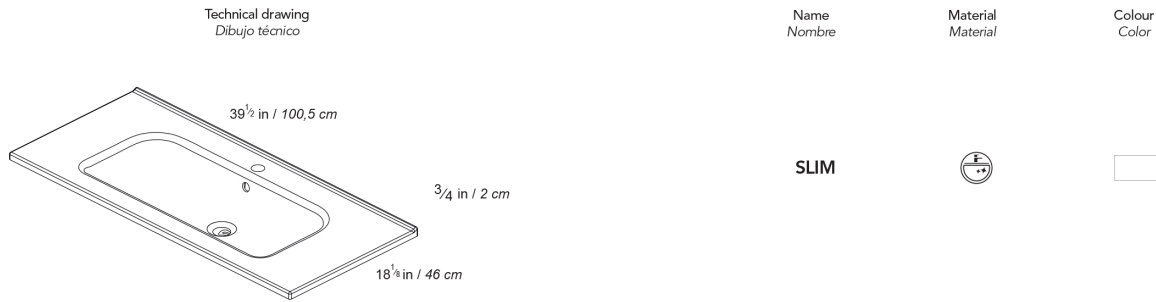


## Technical features / Características técnicas



## Technical information / Información técnica

<p>STRUCTURE / ESTRUCTURA:</p>	<p>MDF board in 5/8 in. continous wrapping in 2D/ Cyclum Process. Tablero de DM de 16 mm. con recubrimiento 2D Cyclum Process.</p>
<p>FRONT / FRENTE:</p>	<p>MDF board in 5/8 in. continous wrapping in 2D/ Cyclum Process. Tablero de DM de 16 mm. con recubrimiento 2D Cyclum Process.</p>
<p>HANDLE / TIRADOR:</p>	<p>Metallic in bright chrome finish. Metálico en acabado cromo brillo.</p>
<p>DRAWER / CAJÓN:</p>	<p>Drawers made in mokka textile poly laminate coated board with hidden parcial extraction runners with soft close system. Includes organizer in upper drawer. Lower drawer useful space (widthxheightxdepth): 27<sup>15/16</sup> x 4<sup>5/16</sup> x 12<sup>3/4</sup> in. Cajones de estructura polilaminada textil mokka con guías ocultas de extracción parcial y cierre amortiguado. Incluye organizador en el cajón superior. Espacio útil del cajón inferior (anchoxaltoxfondo): 71x11x32,5 cm.</p>
<p>WALL HANGING BRACKET / COLGADOR:</p>	<p>Hidden hanging bracket of directly assembled with great resistance and depth regulations. Colgador oculto de montaje directo, con gran resistencia a cargas y regulación en profundidad y altura.</p>
<p>LEGS / PATAS:</p>	<p>Bright chrome finish with adjustable leg. Acabado cromo brillo con regulación.</p>
<p>PIPE DEPTH / FONDO TUBERÍA:</p>	<p>Pipe depth 2<sup>3/8</sup> in. Fondo de tubería 6 cm.</p>

Collection  
Belle

Model |  
Belle 100

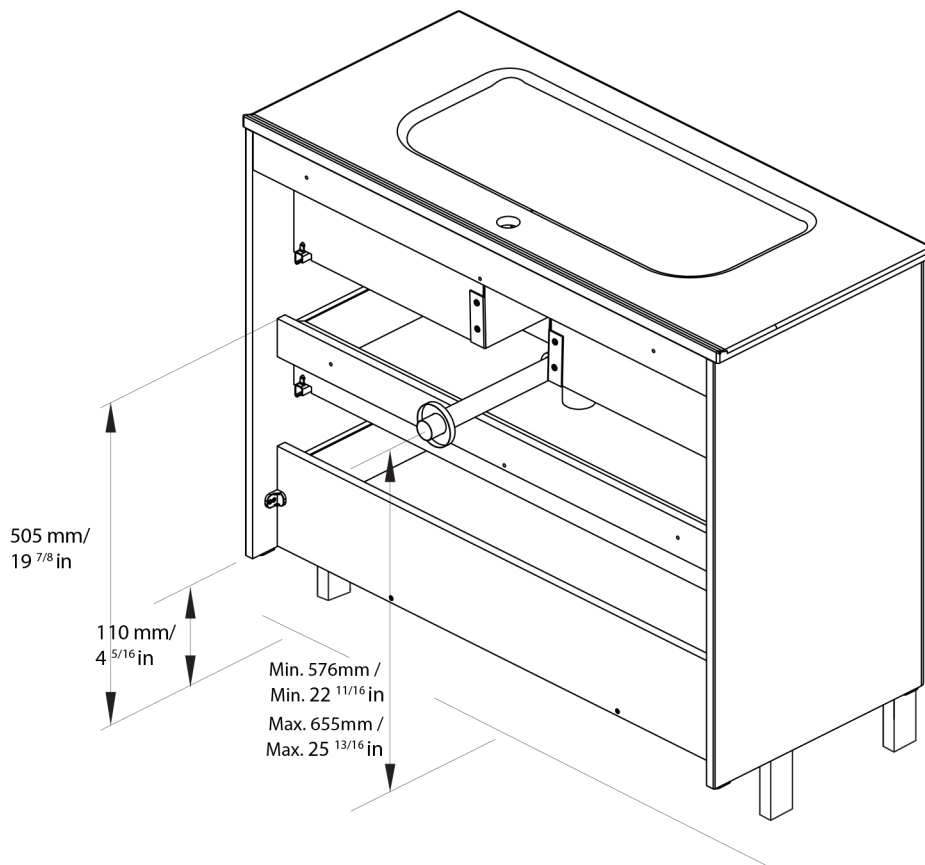
Dimensions Metric

1 inch = 2.54 cm  
1 inch = 25.4 mm

**WS**<sup>®</sup>  
BATH  
COLLECTIONS

1051 Lea Drive - Collegeville, PA 19426  
Tel. 215 513 9400 - Fax 610 831 0215

[www.ws bathcollections.com](http://www.ws bathcollections.com) - [info@ws bathcollections.com](mailto:info@ws bathcollections.com)



ES

EN

Las cotas indicadas en los dibujos son en función de la altura de la pata del conjunto, en caso de que el mueble vaya suspendido y esta altura no se respete, dichas cotas también variarán.

Dimensions indicated in the drawing are based on the level of the whole leg, in case of wall hanging the furniture dimensions also may vary.

Collection Belle

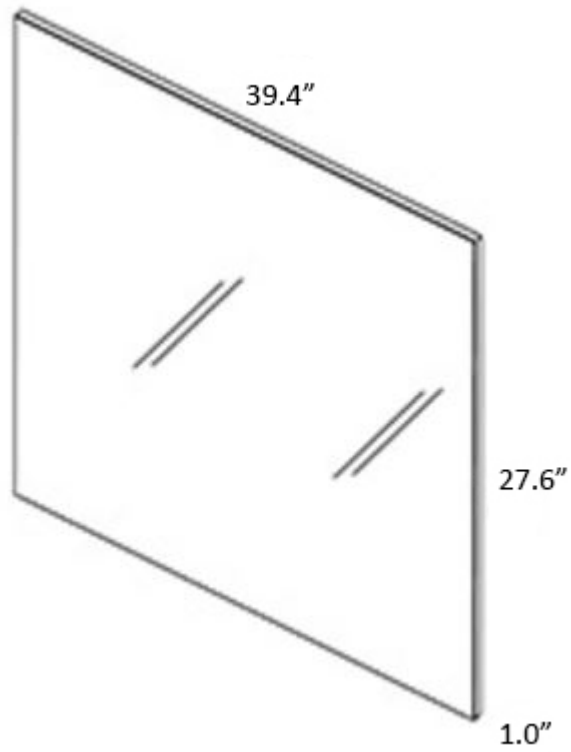
Model Belle 100

Dimensions Metric

1 inch = 2.54 cm  
1 inch = 25.4 mm



1051 Lea Drive - Collegeville, PA 19426  
Tel. 215 513 9400 - Fax 610 831 0215  
[www.wsbathcollections.com](http://www.wsbathcollections.com) - [info@wsbathcollections.com](mailto:info@wsbathcollections.com)



Collection  
Murano

Model |  
Murano 100

Dimensions Metric  
*1 inch = 2.54 cm*  
*1 inch = 25.4 mm*

**WS**<sup>®</sup>  
**BATH**  
**COLLECTIONS**

1051 Lea Drive - Collegeville, PA 19426  
Tel. 215 513 9400 - Fax 610 831 0215

[www.ws bathcollections.com](http://www.ws bathcollections.com) - [info@ws bathcollections.com](mailto:info@ws bathcollections.com)

We recommend the following items that work with your sink.

## TRAPS



WSBC 53922  
*Our best seller*

## DRAINS



WSBC 53991  
Push waste drain (click clack)  
*with overflow*

## MOUNTING HARDWARE

### Wall-mount installation

### Vessel/ countertop installation



Bolts



Silicone (*optional*)

Collection  
Belle

Model |  
Belle 100

Dimensions Metric  
*1 inch = 2.54 cm*  
*1 inch = 25.4 mm*

**WS**®  
**BATH**  
**COLLECTIONS**

1051 Lea Drive - Collegeville, PA 19426  
Tel. 215 513 9400 - Fax 610 831 0215

[www.ws bathcollections.com](http://www.ws bathcollections.com) - [info@ws bathcollections.com](mailto:info@ws bathcollections.com)