

TECHNICAL INFORMATION:

The LED's assembled in Italy, are easily replaceable.
 110 V, Classelll, IP44, LED on rigid support 2 x 5 WATT
 measuring 49.5 x 2.5cm
 1000 lumens of natural light color (> 4000K)
 CE
 Comply with the directives 2006/95 / EC and 2004/108 / EC in
 terms of electrical safety and electromagnetic compatibility

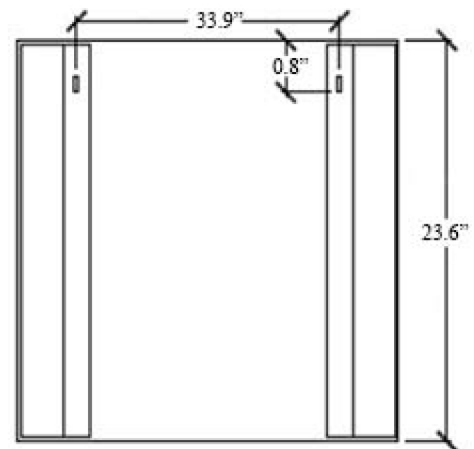
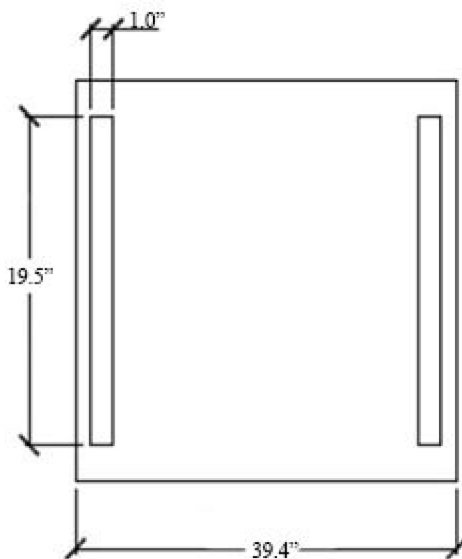
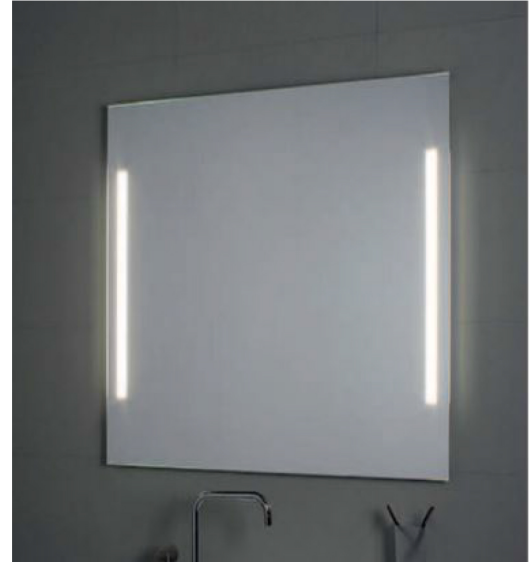
MATERIALS:

High-quality glass,
 thickness 4 mm,
 ecological production without lead and copper.
 Structure of anodized aluminium

COMPATIBILITY ENERGY:



WARRANTY:



Collection
Simply

Model |
Simply L00200

Dimensions Metric
 1 inch = 2.54 cm
 1 inch = 25.4 mm

WS[®] BATH COLLECTIONS
 1051 Lea Drive - Collegeville, PA 19426
 Tel. 215 513 9400 - Fax 610 831 0215
www.ws bathcollections.com - info@ws bathcollections.com