

D43300-002 © 07-2010



**cUPC®**

965.394.00.0 (00)

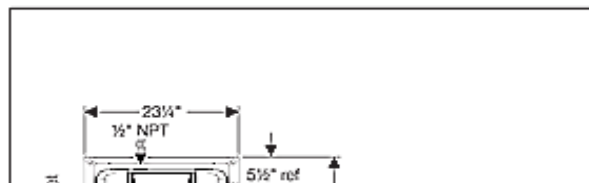
**In-Wall Tank and Bowl Carrier System  
With Dual Flush Technology  
Geberit Model No. 111.728.00.1  
Flush Volume: 1.6 / 0.8 GPF - 6.0 / 3.0 LPF**

1

## Product Data

### Product Specifications

- For installing 2-hole stud mounted wall-hung washdown water closet fixtures with rear water inlet and waste outlet
- For 6 GPF (6 LPF) single flush or 1.6/0.8 GPF (6/3 LPF)



- Water closet fixtures with rear water inlet and waste outlet
- For 6 GPF (6 LPF) single flush or 1.6/0.8 GPF (6/3 LPF) dual flush fixtures
- For installation within or in front of drywall panels
- For installation in front of solid walls.
- Fits within minimum 3 1/2" (90) framing wall or plumbing chase
- Adjustable for fixture seat heights from 15" to 19" (381 to 483)
- 1/2" water supply
- For flush actuator plates Sigma, Bolero, Samba, Mambo, Tango, Rumba

#### Features

- HET water consumption – Dual-flush 1.6/0.8 GPF (6/3 LPF) gives effective flush volume of 1.1 GPF (4 LPF)
- Anti-siphon fill valve
- Impact resistant high density polyethylene (HDPE) tank, insulated to prevent condensation
- 16-gauge, powder-coated, structural steel tubing rated to 980 lbs. (400 kg) without damage to finished wall or carrier unit
- Includes installation and rough-in materials

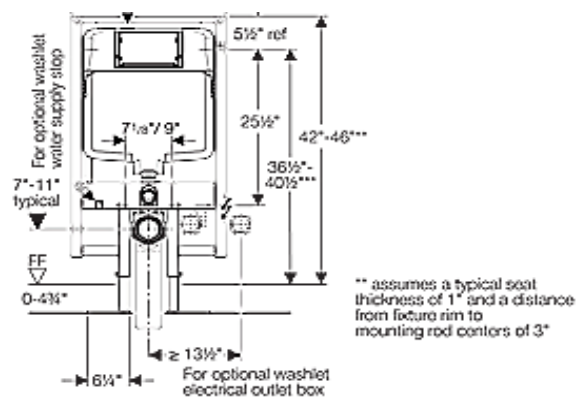
#### Warranty

Limited lifetime warranty on tank and carrier  
 10-year warranty on fill valve and flush valve  
 One-year warranty on actuator flush panels.

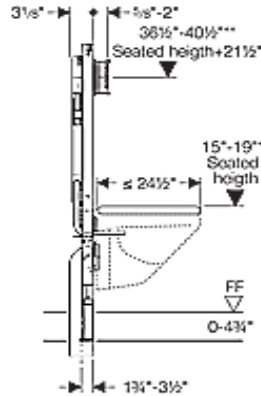
#### Standards

In compliance with:

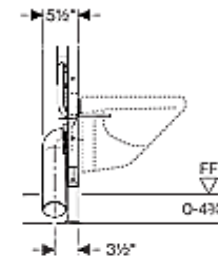
- ASME: A112.6.2, A112.19.5, A112.19.14
  - ANSI Z124.4
  - CSA B125.3
  - ANSI/ASSE 1002
  - IAPMO PS-50
  - UNAR / UNAR-HET
  - Meets or exceeds the WaterSense® HET and ASME A112.19.2 specifications when installed in combination with appropriate matching fixture.
- For a list of certified combinations, refer to [www.geberit.us](http://www.geberit.us)



For 3 1/2" max. wall thickness  
**Vertical drainage only**



For 5 1/2" min. wall thickness  
**For RH, LH and vertical drainage**



#### Material Determination

- Recommended material for wall surface construction:
- Gypsum / green board
  - Cement board
  - Tile backer board
  - Ceramic tile surface

**i** Minimum wall material thickness 3/4" (20 mm).

D43300-002 © 07-2010



## Installation

#### Installation Requirements

To install carrier, a minimum 3 1/2" wall is required. A 2 x 6" wood frame or metal frame construction is recommended. Studs must be placed 23 1/4" apart (clearance) where carrier will be positioned inside the wall.

#### Prepare

These values are needed to set proper frame height at roughing in:

- FF: Finished Floor Height  
 FSH: Finished Seated Height  
 ST: Seat thickness, based on seat model  
 RT: Distance from fixture rim to mounting centers, based on ceramic model  
 H: Frame Height, subject to conditions below:

$$H = FSH - RT - ST + 31" (790)$$

These values are not needed at roughing in, but may be useful as alternate references:

- FV: Flush Valve Height (see below)  
 R: Rod Height, based on ceramic model and FSH

For convenience, values for a "typical" situation are included in the following chart:

FOR REFERENCE				
Finished Seat Height (FSH)	Frame Height (H)	Flush Valve Height (FV)	Rod Height (R)	Drain Outlet Height (D)
15	42 1/8	36 5/8	11	7 1/8
16	43 1/8	37 5/8	12	8 1/8
17	44 1/8	38 5/8	13	9 1/8
18	45 1/8	39 5/8	14	10 1/8
19	46 1/8	40 5/8	15	11 1/8

\*\* assumes a typical seat thickness of 1" and a distance from fixture rim to mounting rod centers of 3". Always refer to the manufacturer specification sheet for the latest information!

These dimensions are used for later, after the frame is installed:

RC: Rod Center-to-Center Distance, based on ceramic model

Other calculations (for reference only)

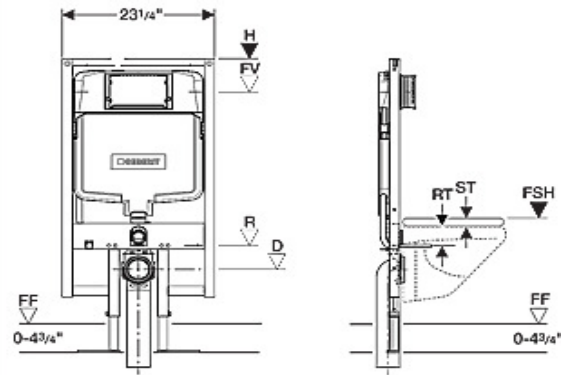
$$FV = FSH - RT - ST + 25 1/2" (650)$$

$$R = FSH - RT - ST$$

$$D = FSH - RT - ST - 4" (100)$$

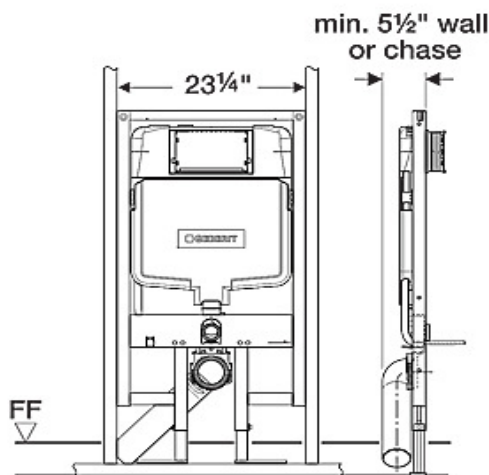
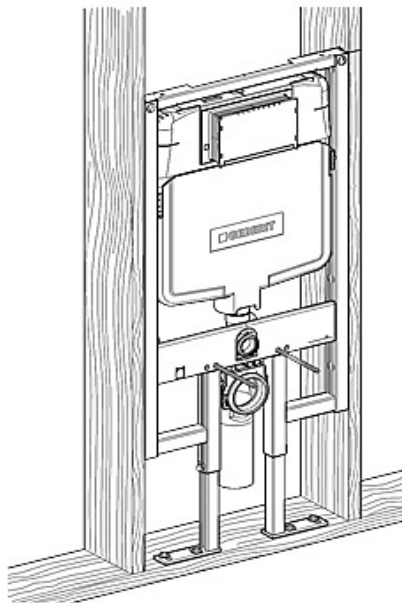
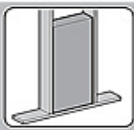
Or

- FV: Flush Valve Height (see below)
- R: Rod Height, based on ceramic model and FSH (see below)
- D: Drain outlet, based on ceramic model and FSH (see below)

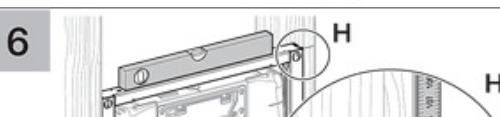
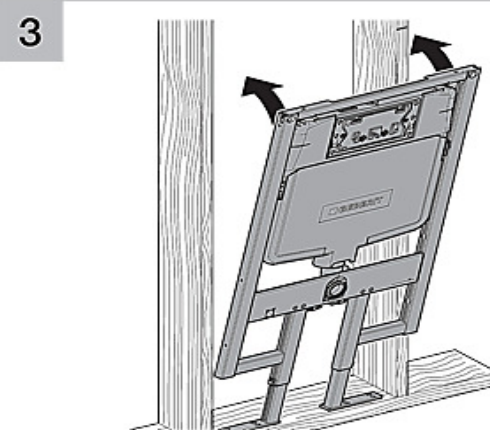
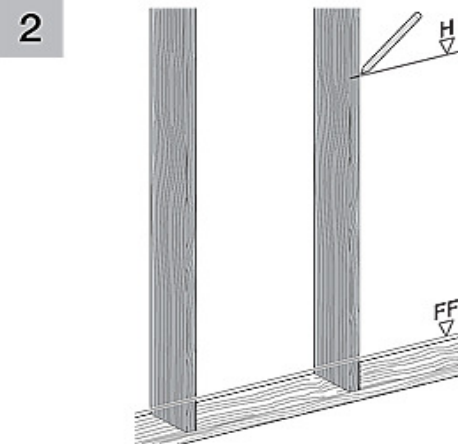
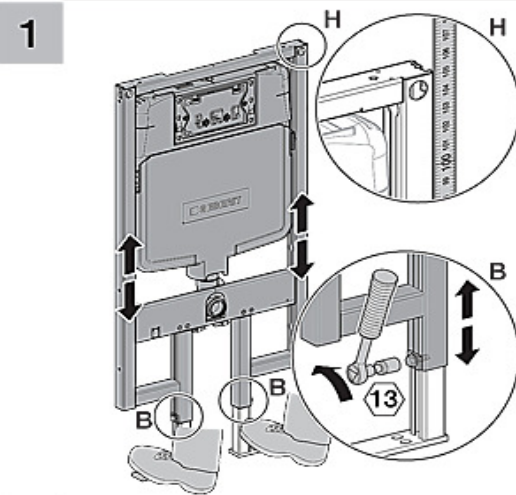


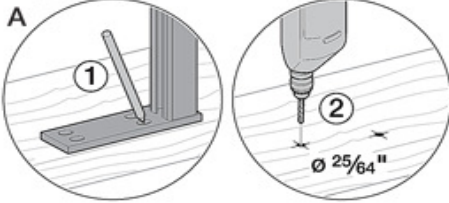
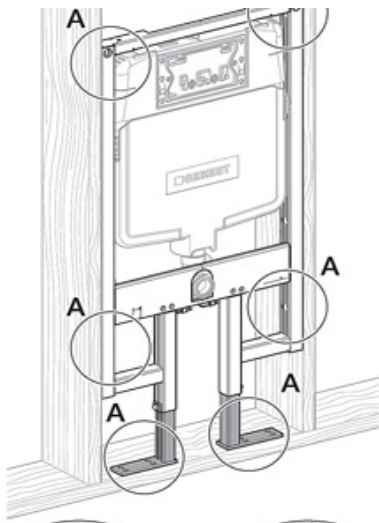
$H = FSH - RT - ST - 4$  (100)  
 or  
 $FV = R + 25\frac{1}{2}$  (650)  
 $H = R + 31$  (790)  
 $D = R - 4$  (100)

**i** All dimensions Above Finished Floor (AFF)

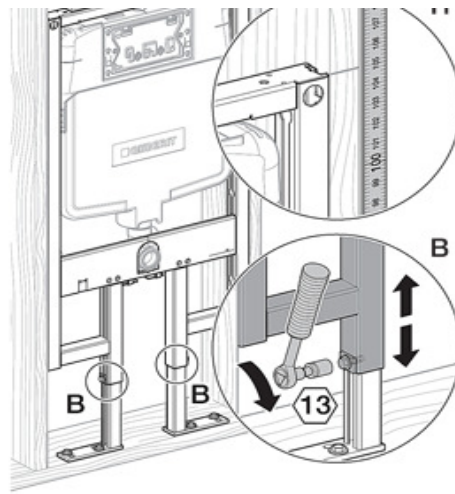
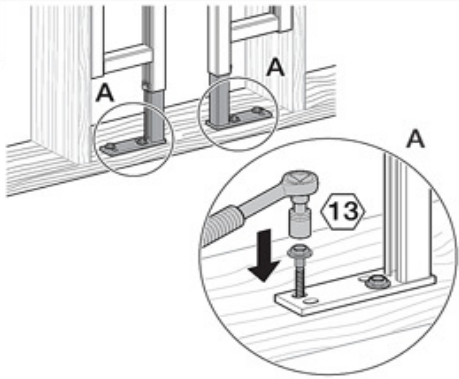


**i** RH, LH or vertical drainage runs allowed with 5 1/2" minimum wall thickness. Vertical drainage run only for 3 1/2" maximum walls.

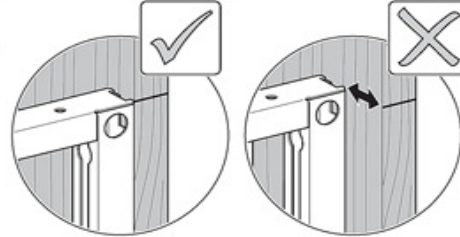




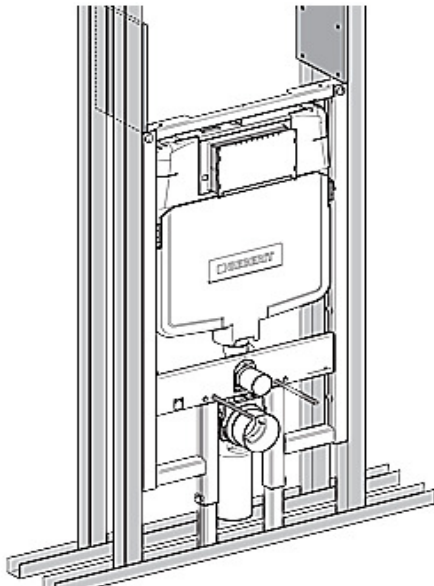
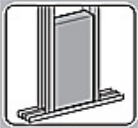
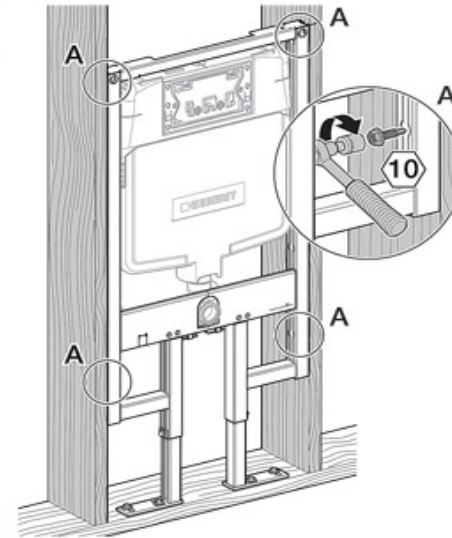
5



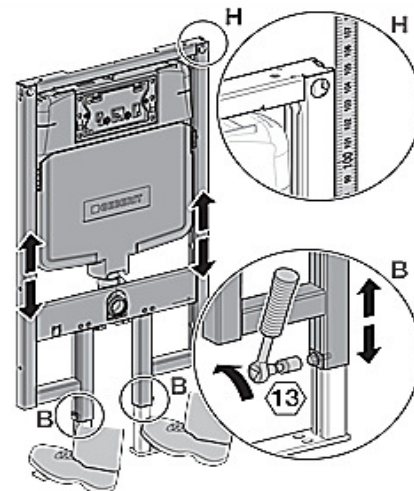
7



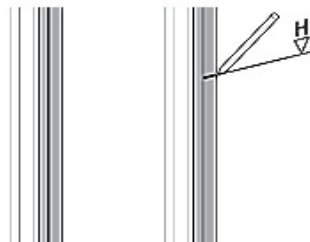
8

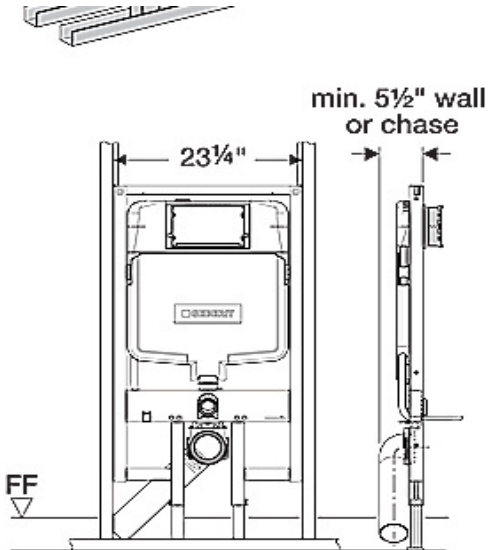


1

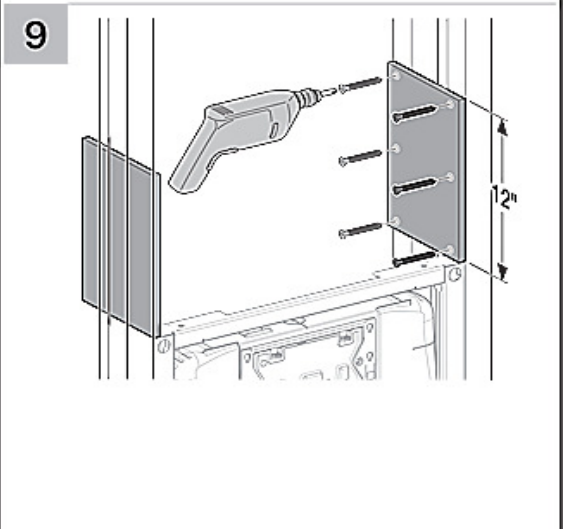
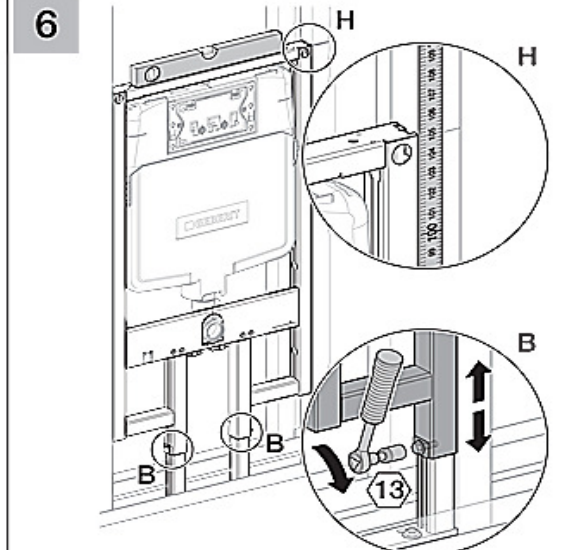
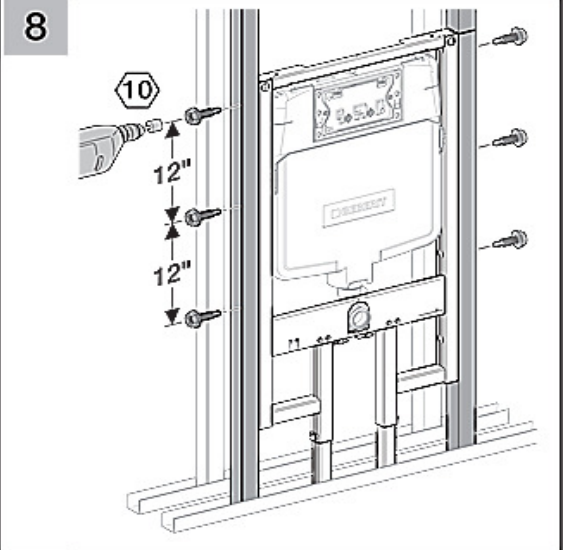
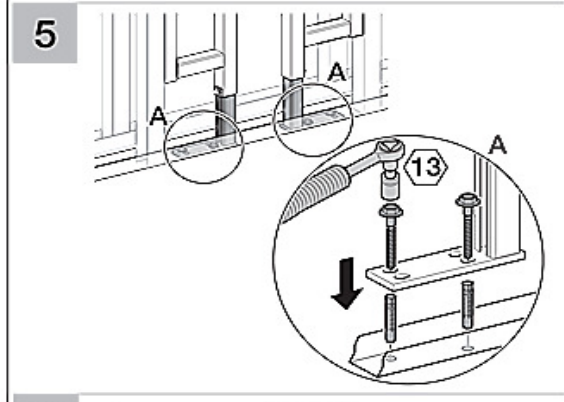
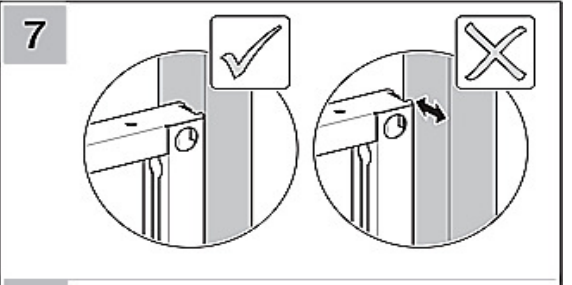
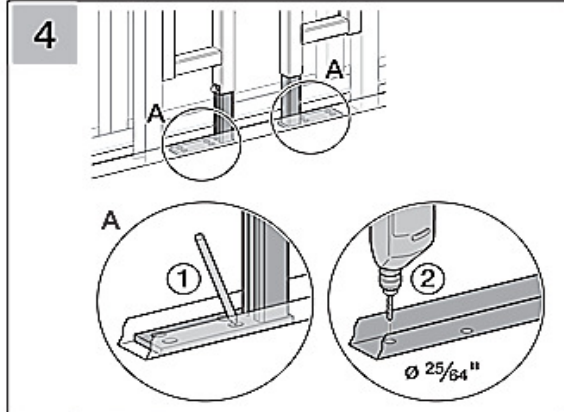
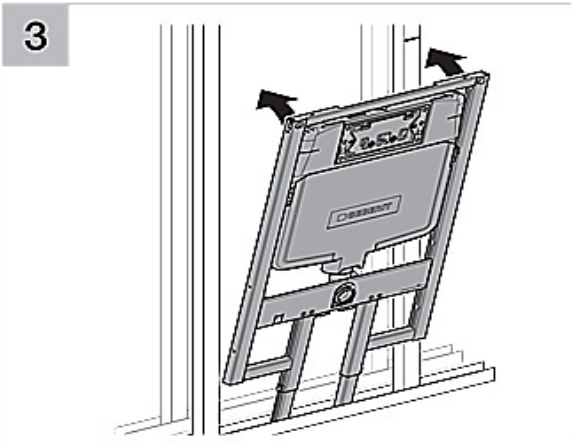
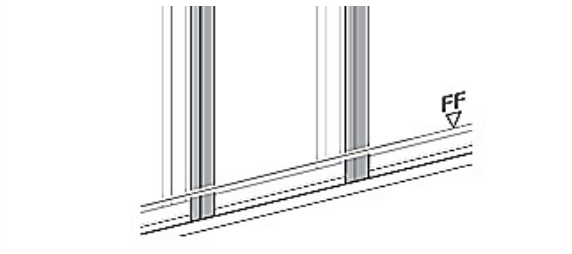


2

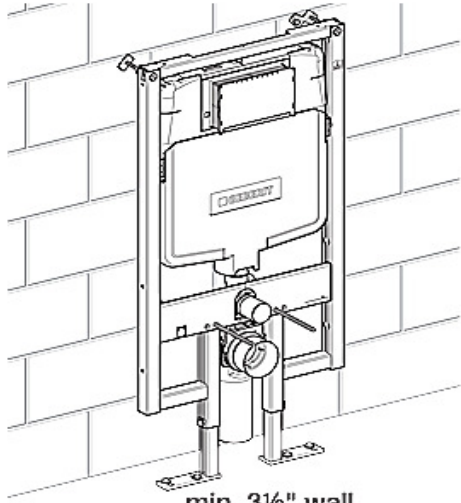




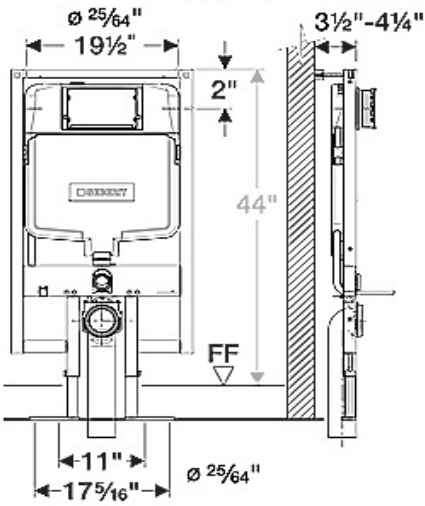
**i** RH, LH or vertical drainage runs allowed with 5½" minimum wall thickness. Vertical drainage run only for 3½" maximum walls.



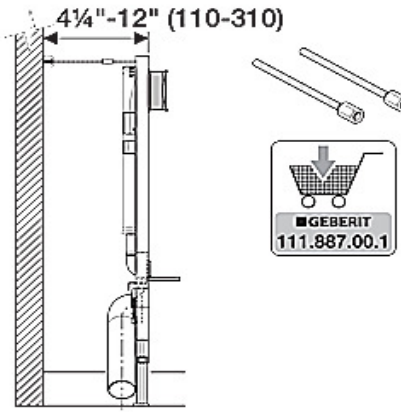
D43300-002 © 07-2010



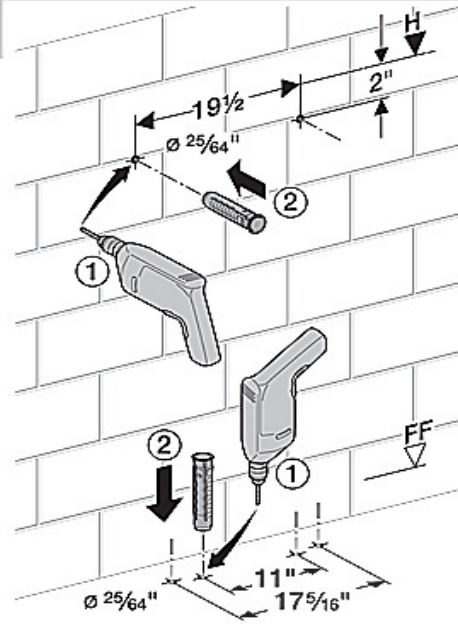
min. 3½" wall  
or chase



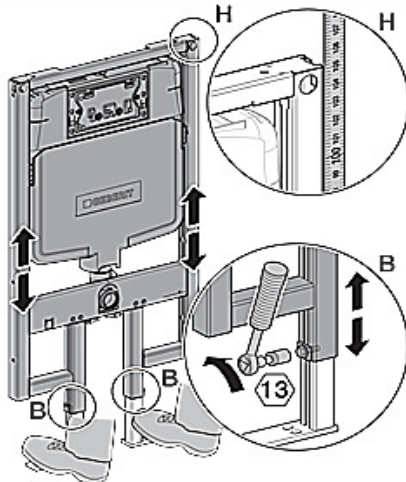
**i** RH, LH or vertical drainage runs allowed with 5½" minimum wall thickness.  
Vertical drainage run only for 3½" maximum walls.



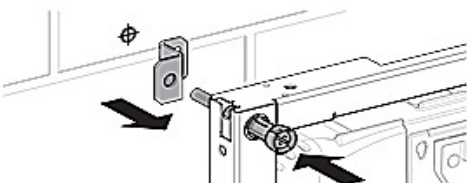
1



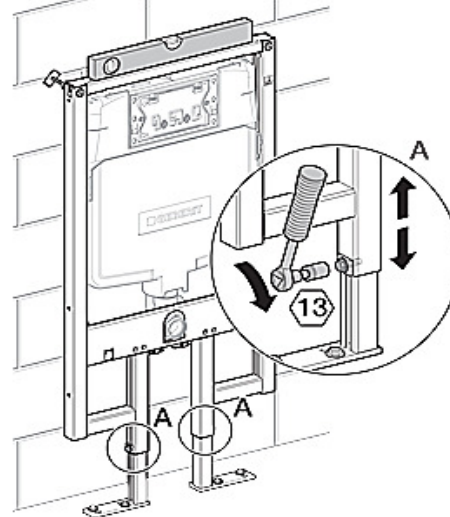
2



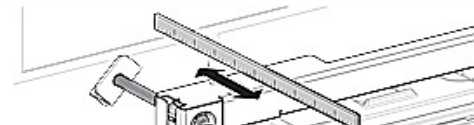
3



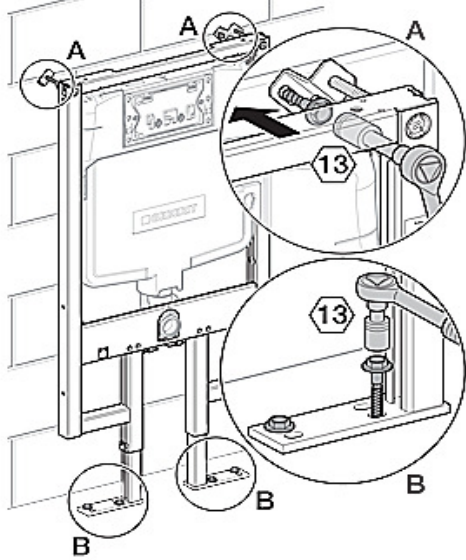
5



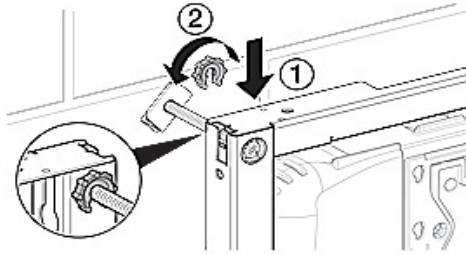
6



4



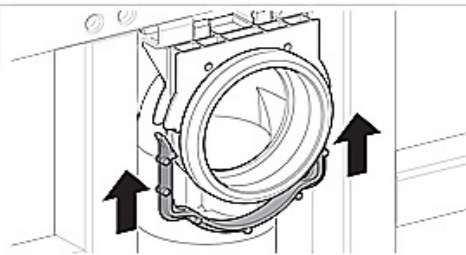
7



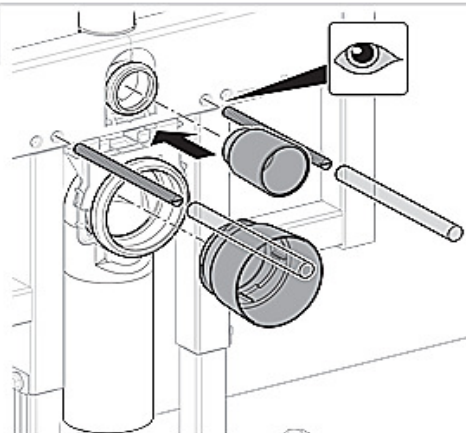
3



4

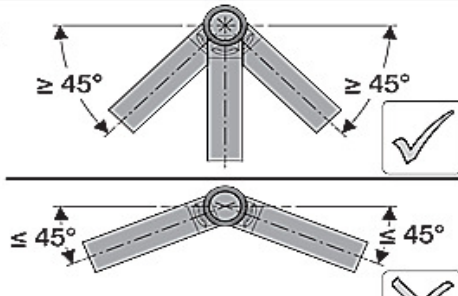


5

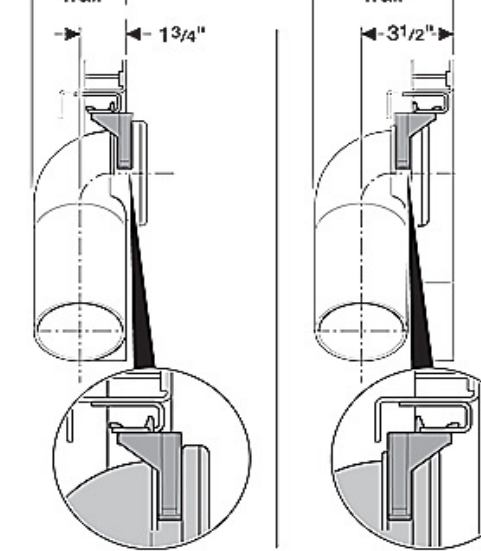


Use supplied flexible coupling (optional)

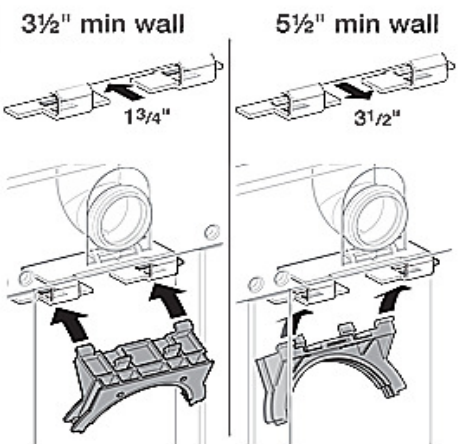
**i**



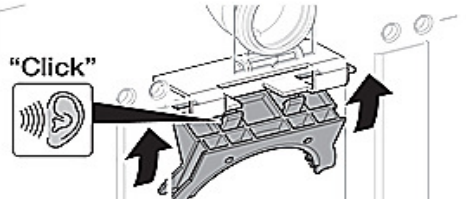
3½" min wall      5½" min wall



1

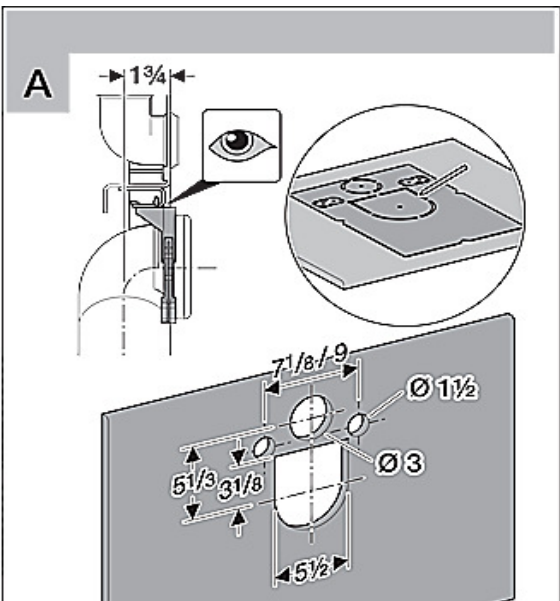
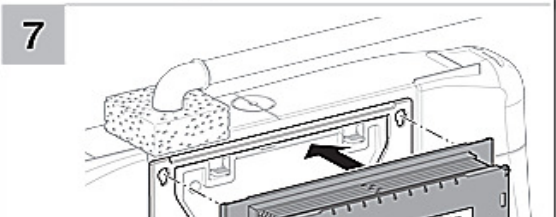
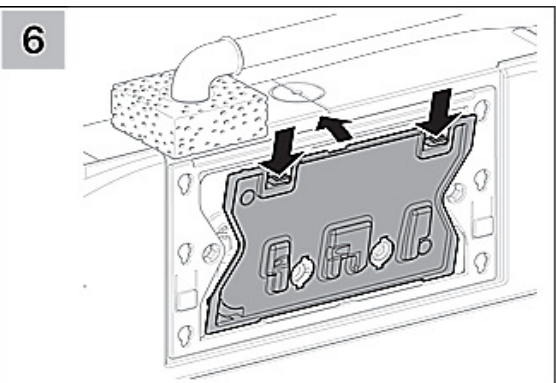
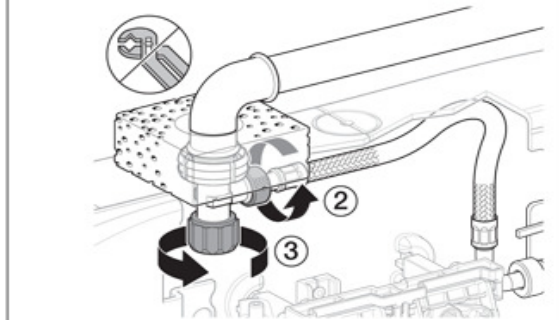
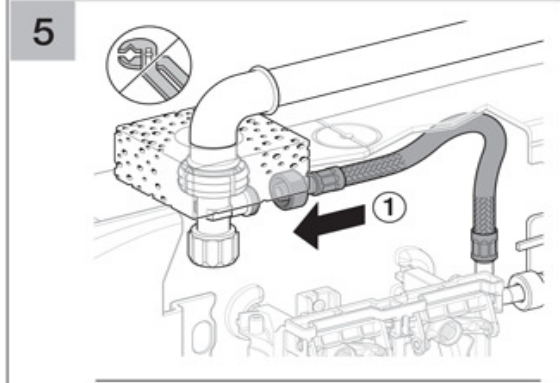
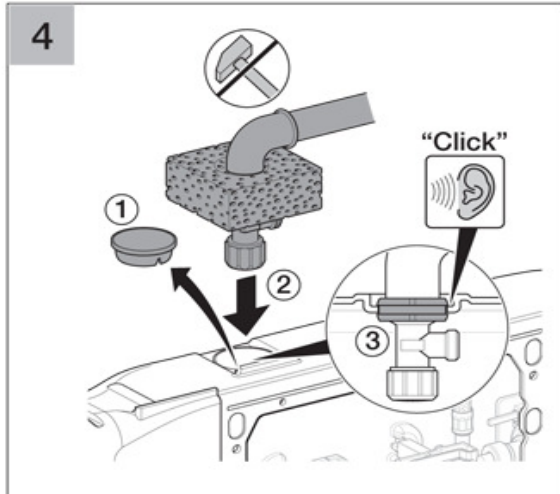
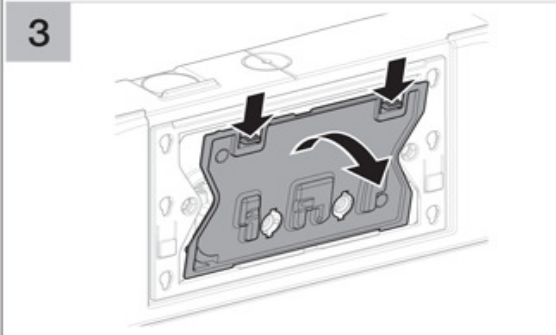
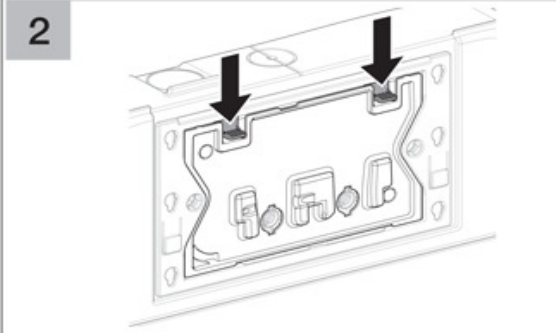
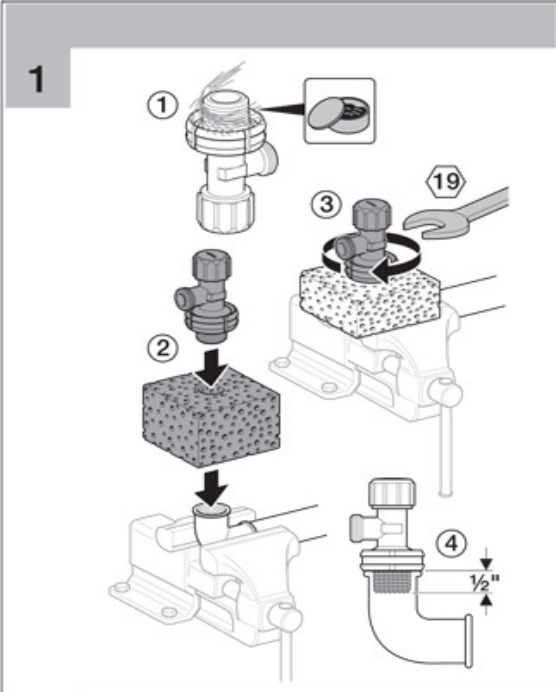


2

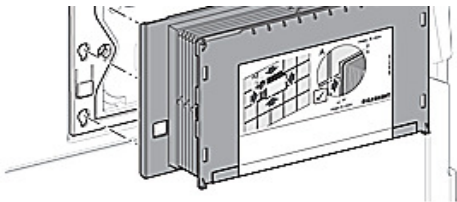




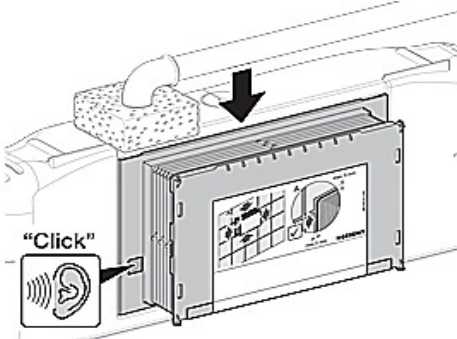
D413300-00



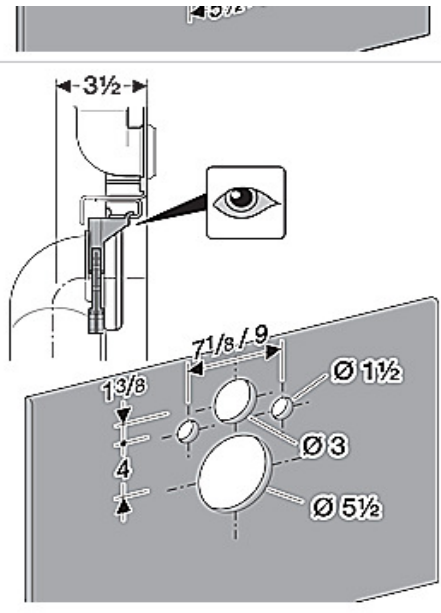




8



B



**Contact**

Geberit  
 2100 Clearwater Drive, Des Plaines, IL 60018-5999  
 www.geberit.us  
 Phone: (847) 803 5000 • Fax: 847/803-5454  
 For Technical Assistance 800 / TEC-TRUE (800-832-8783)

D46300-002 © 07-2010

