

Light Exclusive ZSCA 050

Features

- Universal Push Waste Drain (Click Clack)
- Click Clack: It Opens And Closes With The Click Of A Finger
- Universal: Works For Sinks With or Without Overflow
- Adaptable Height: 0" min - 2.8" max H
- Available in 8 Finishes
- Solid Brass Base
- Made in Italy



SKU# | Option:

- Light Exclusive ZSCA 050 CR | Polished Chrome
- Light Exclusive ZSCA 050 HG | Honey Gold
- Light Exclusive ZSCA 050 HGSP | Brushed Honey Gold
- Light Exclusive ZSCA 050 NKN | Black Nickel
- Light Exclusive ZSCA 050 NKNSP | Brushed Black Nickel
- Light Exclusive ZSCA 050 ROSE | Rose Gold
- Light Exclusive ZSCA 050 ST | Stainless Steel
- Light Exclusive ZSCA 050 WG | White Gold


Related Items:

- WSBC 53922 | Decorative Trap

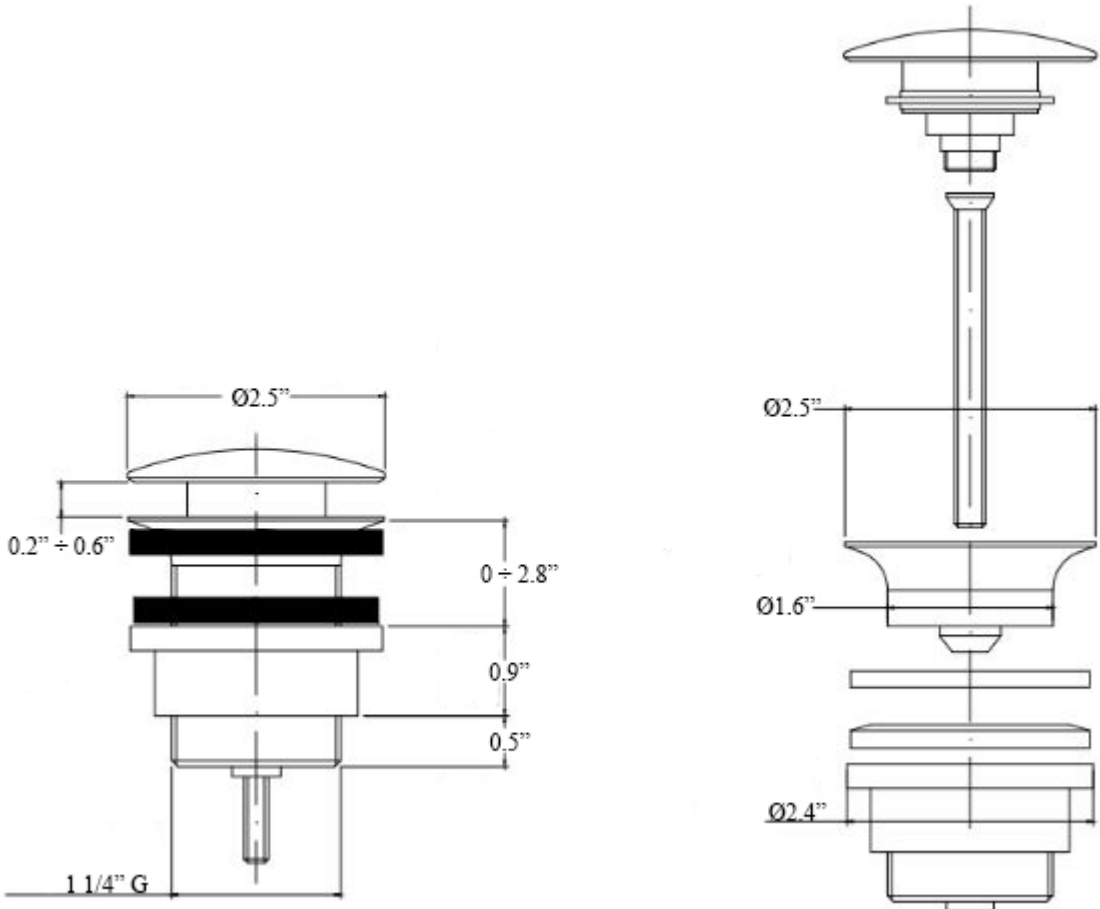
Finishes:

-  Polished Chrome
-  Honey Gold
-  Brushed Honey Gold
-  Black Nickel
-  Brushed Black Nickel
-  Rose Gold
-  Stainless Steel
-  White Gold


* WS Bath Collections reserves the right to revise dimensions or information on this sheet without notice

Collection Light Exclusive	Model Light Exclusive ZSCA 050	Dimensions Metric <i>1 inch = 2.54 cm</i> <i>1 inch = 25.4 mm</i>	 1051 Lea Drive - Collegeville, PA 19426 Tel. 215 513 9400 - Fax 610 831 0215 www.ws bathcollections.com - info@ws bathcollections.com
--	--	---	---

Light Exclusive ZSCA 050



* WS Bath Collections reserves the right to revise dimensions or information on this sheet without notice

<p>Collection Light Exclusive</p>	<p>Model Light Exclusive ZSCA 050</p>	<p>Dimensions Metric 1 inch = 2.54 cm 1 inch = 25.4 mm</p>	 <p>1051 Lea Drive - Collegeville, PA 19426 Tel. 215 513 9400 - Fax 610 831 0215 www.ws bathcollections.com - info@ws bathcollections.com</p>
--	--	--	---