

## Features

- Magnifying Makeup Mirror
- 7x Magnifying Glass, 3x on Reverse Side
- LED Lighted, Luminous Color (Cold: 6,000 K, Warm: 3,000 K)
- Continuously Dimmable
- Hard Wired (Direct Power Connection)
- Polished Chrome Finish, Solid Brass Base

## Imago 1095.060.17



## SKU# | Option:

- Imago 1095.060.17 | Magnification 7X / 3X

**Collection**  
Imago

**Model |**  
Imago 1095.060.17

Dimensions Metric

*1 inch = 2.54 cm*

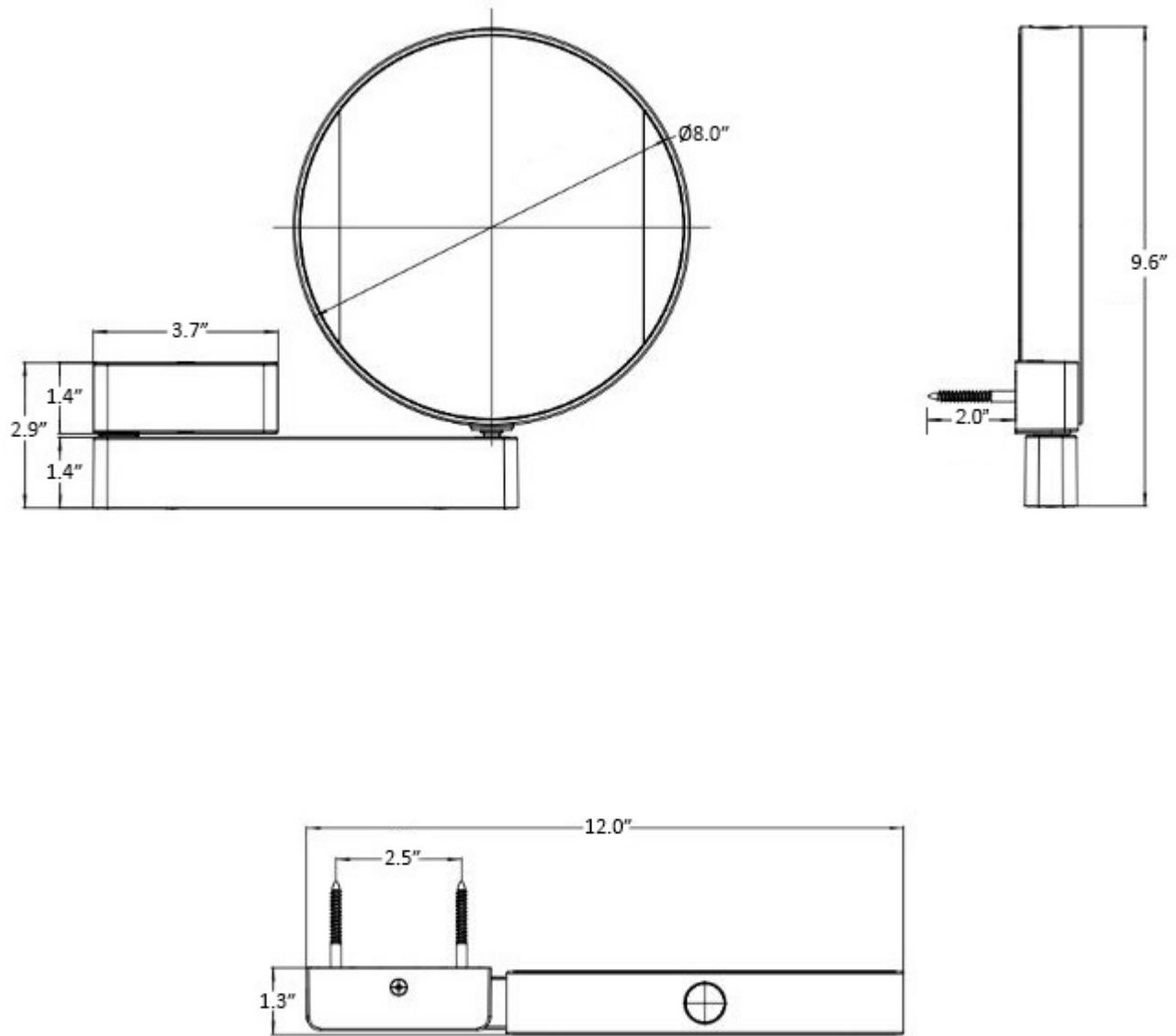
*1 inch = 25.4 mm*

**WS**<sup>®</sup>  
**BATH**  
**COLLECTIONS**

1051 Lea Drive - Collegeville, PA 19426  
Tel. 215 513 9400 - Fax 610 831 0215

[www.ws bathcollections.com](http://www.ws bathcollections.com) - [info@ws bathcollections.com](mailto:info@ws bathcollections.com)

# Product Specs Sheets



Mirrored on both sides: Magnification: 3x and 7x, round, LED-illumination, luminous colour (cold: 6.000 K/warm: 3.000 K) continuously dimmable, on a swivel arm, with direct connection, energy efficiency class: A-A++

Collection  
Imago

Model |  
Imago 1095.060.17

Dimensions Metric  
*1 inch = 2.54 cm*  
*1 inch = 25.4 mm*

**WS**<sup>®</sup>  
BATH  
COLLECTIONS

1051 Lea Drive - Collegeville, PA 19426  
Tel. 215 513 9400 - Fax 610 831 0215  
[www.ws bathcollections.com](http://www.ws bathcollections.com) - [info@ws bathcollections.com](mailto:info@ws bathcollections.com)