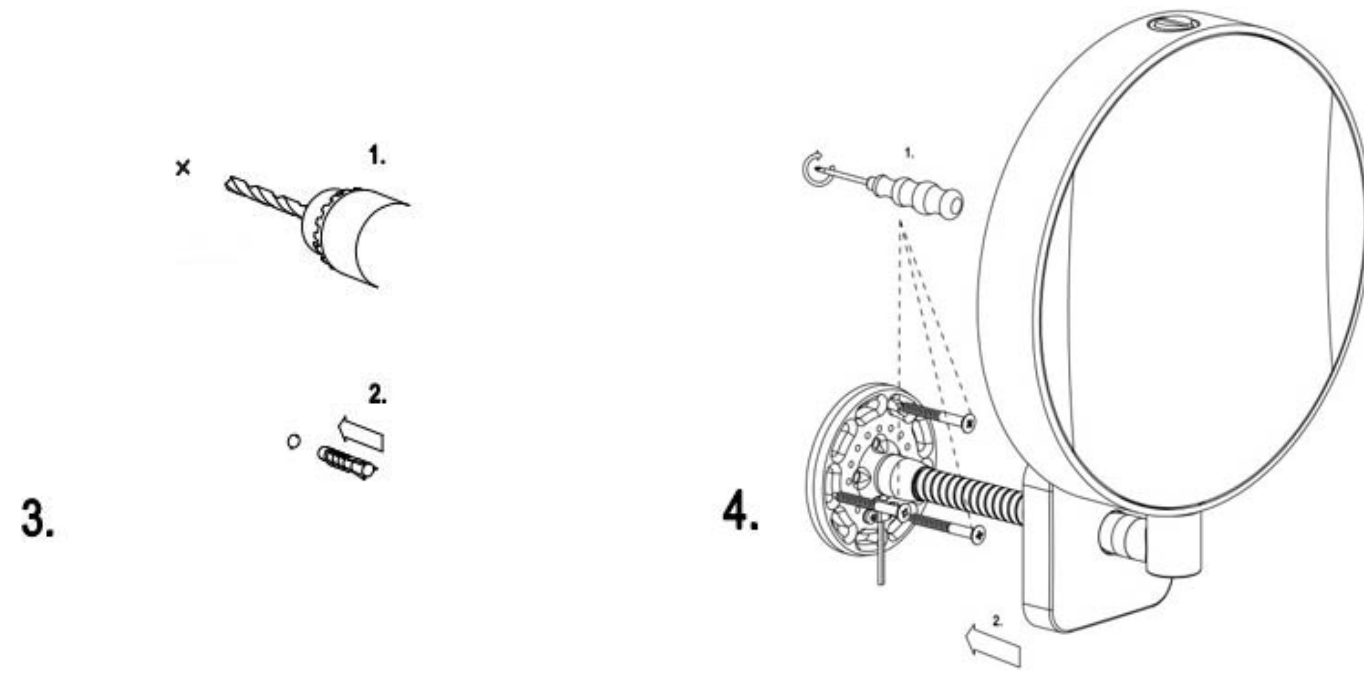
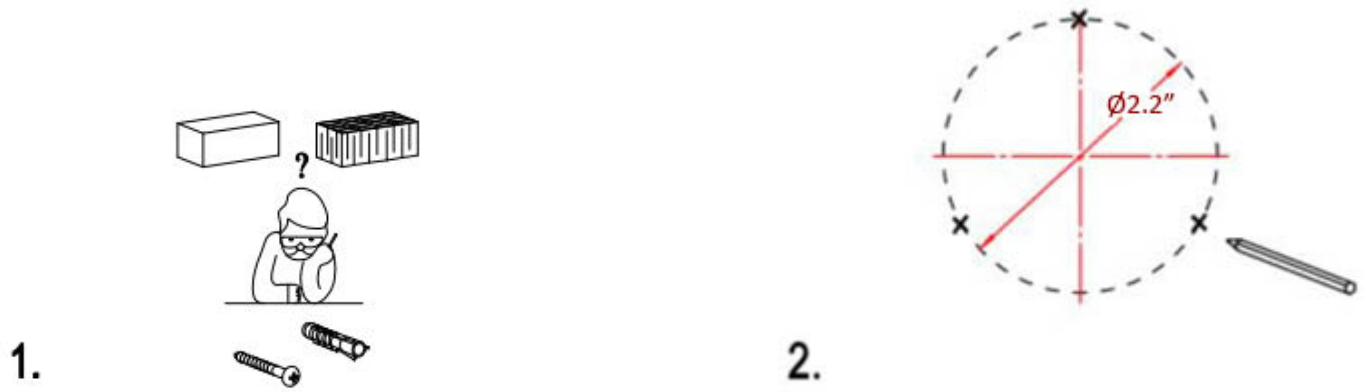


# Mounting Installation Instructions



**CAUTION:**  
 The universal fastening accessories supplied with the product are not suitable for all substrates. Please only use screws and plugs that are suitable for the substrate concerned. Therefore, before using the accessories, please carry out a thorough check to ensure that the fastening accessories supplied with the product are suitable for the intended substrate.

Collection  
 Installation  
 Instructions

Model |  
 Imago 1095.001.14

Dimensions Metric  
 1 inch = 2.54 cm  
 1 inch = 25.4 mm

**WS<sup>®</sup>** BATH  
 COLLECTIONS  
 1051 Lea Drive - Colleagueville, PA 19426  
 Tel. 215 513 9400 - Fax 610 831 0215  
[www.ws bathcollections.com](http://www.ws bathcollections.com) - [info@ws bathcollections.com](mailto:info@ws bathcollections.com)