

Product Specs Sheets

PORTA SALVIETTA 500 MM - OTTONE CROMATO
TOWEL RAIL 500 MM - CHROMED BRASS

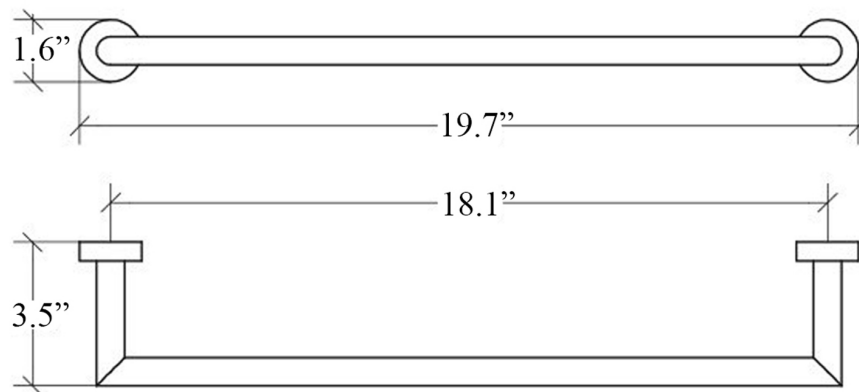
WEIGHT 1.1 LBS
VOLUME m³ 0,0029



MAINTENANCE

Pulire con panno morbido inumidito. Non usare ammoniaca, detersivi, abrasivi contenenti candeggina

Clean with warm soapy water. Never use ammonia, abrasives, bleach or solvent based cleaners.



Collection
Baketo

Model |
Baketo 5211

Dimensions Metric

1 inch = 2.54 cm
1 inch = 25.4 mm

WS[®]
BATH
COLLECTIONS

1051 Lea Drive - Collegeville, PA 19426
Tel. 215 513 9400 - Fax 610 831 0215

www.ws bathcollections.com - info@ws bathcollections.com

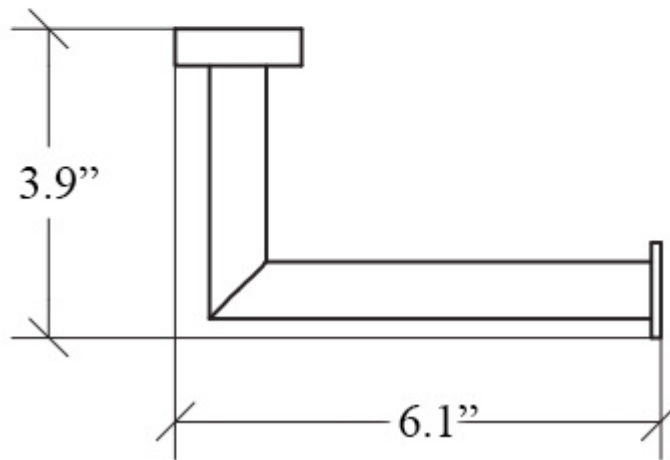
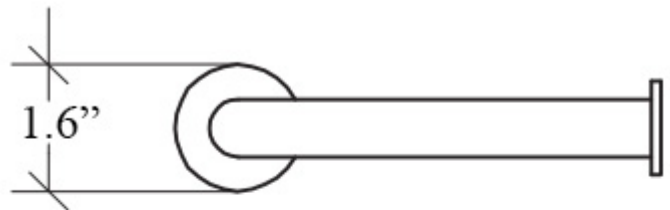
Product Specs Sheets

MAINTENANCE

Clean with warm soapy water. Never use ammonia, abrasives, bleach or solvent based cleaners.

WEIGHT 0.5 LBS TOILET PAPER HOLDER - CHROMED BRASS

VOLUME m³ 0,0010



Collection
Baketo

Model |
Baketo 5204

Dimensions Metric

1 inch = 2.54 cm
1 inch = 25.4 mm

WS[®]
BATH
COLLECTIONS

1051 Lea Drive - Collegeville, PA 19426
Tel. 215 513 9400 - Fax 610 831 0215

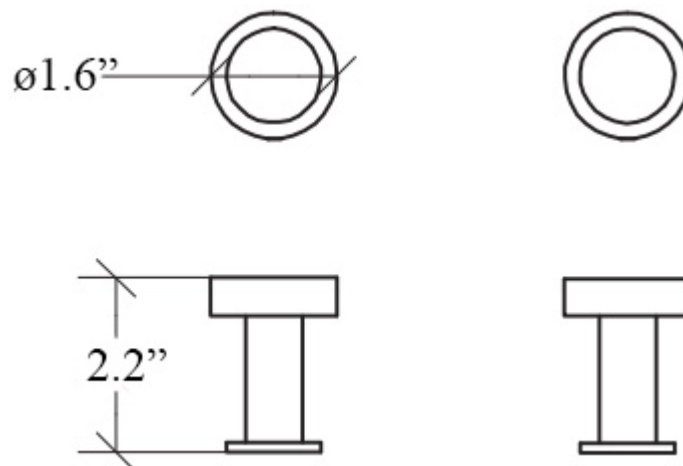
www.ws bathcollections.com - info@ws bathcollections.com

Product Specs Sheets

MAINTENANCE

Clean with warm soapy water. Never use ammonia, abrasives, bleach or solvent based cleaners.

WEIGHT 0.6 LBS 2 HOOKS - CHROMED BRASS
VOLUME m³ 0,0005



Collection
Baketo

Model |
Baketo 5208

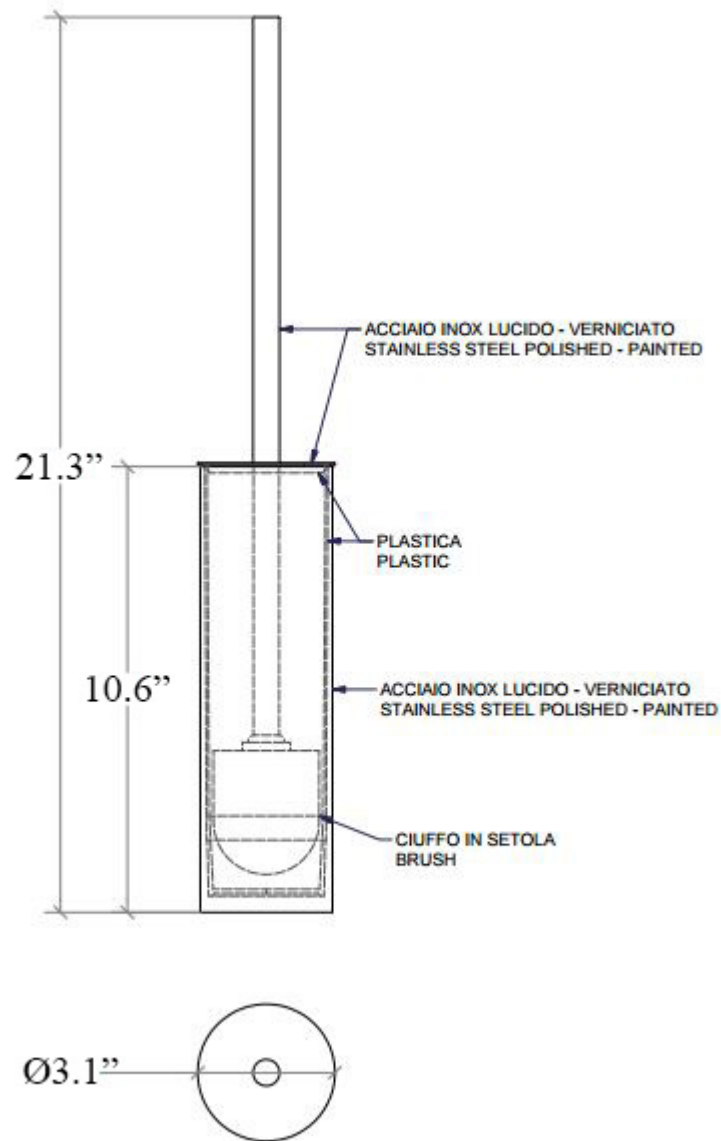
Dimensions Metric

1 inch = 2.54 cm
1 inch = 25.4 mm

WS[®]
BATH
COLLECTIONS

1051 Lea Drive - Collegeville, PA 19426
Tel. 215 513 9400 - Fax 610 831 0215
www.ws bathcollections.com - info@ws bathcollections.com

Product Specs Sheets



Collection
Baketo

Model |
Baketo 5004

Dimensions Metric

1 inch = 2.54 cm
1 inch = 25.4 mm

WS[®]
BATH
COLLECTIONS

1051 Lea Drive - Collegeville, PA 19426
Tel. 215 513 9400 - Fax 610 831 0215
www.ws bathcollections.com - info@ws bathcollections.com