

Features

- Double bathroom hook
- Polished chrome
- Solid brass base

Quadro A16200




SKU# | Option:

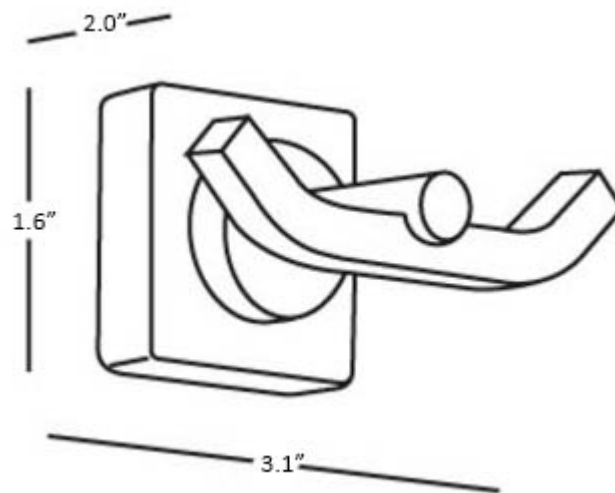
- Quadro A16200 | Polished chrome

Finishes

 CR Polished Chrome

| | | | |
|-------------------------------------|---|--|--|
| <p>Collection Quadro</p> | <p>Model Quadro A16200</p> | <p>Dimensions Metric <i>1 inch = 2.54 cm</i> <i>1 inch = 25.4 mm</i></p> | <p> 1051 Lea Drive - Collegeville, PA 19426 Tel. 215 513 9400 - Fax 610 831 0215 www.ws bathcollections.com - info@ws bathcollectins.com</p> |
|-------------------------------------|---|--|--|

Product Specs Sheets



Collection
Quadro

Model |
Quadro A16200

Dimensions Metric
1 inch = 2.54 cm
1 inch = 25.4 mm

WS[®]
BATH
COLLECTIONS

1051 Lea Drive - Collegeville, PA 19426
Tel. 215 513 9400 - Fax 610 831 0215
www.ws bathcollections.com - info@ws bathcollections.com