

Features

- Reserve Toilet Paper Holder
- Available in 4 finishes
- Solid brass base
- Click Installation: Allows for Easy Wall Mount Installation and Removal
- Includes Mounting Hardware





Mito A2028A




SKU# | Option:

- Mito A2028A AC | Brushed nickel
- Mito A2028A CR | Polished chrome
- Mito A2028A CU | Chrome / Black soft touch
- Mito A2028A CW | Chrome / White soft touch

Finishes

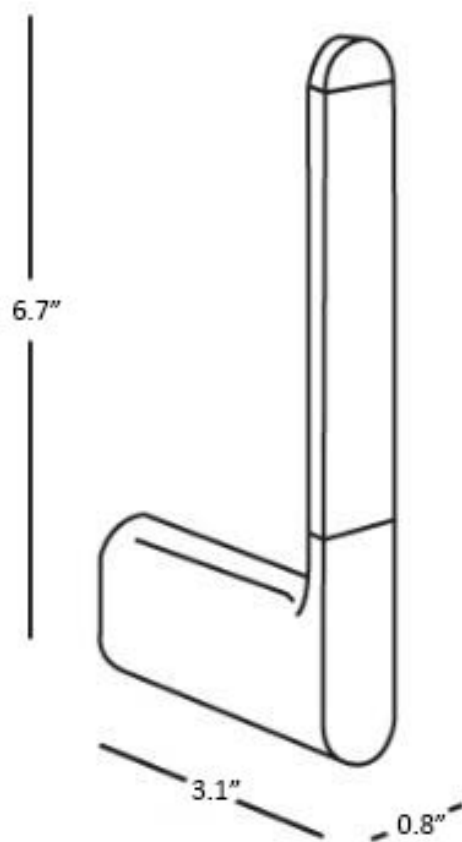
-  AC Brushed Nickel
-  CR Polished Chrome
-  CU Chrome / Black Soft Touch
-  CW Chrome / White Soft Touch

<p>Collection Mito</p>	<p>Model Mito A2028A</p>	<p>Dimensions Metric <i>1 inch = 2.54 cm</i> <i>1 inch = 25.4 mm</i></p>	 <p>1051 Lea Drive - Collegeville, PA 19426 Tel. 215 513 9400 - Fax 610 831 0215 www.ws bathcollections.com - info@ws bathcollectins.com</p>
-----------------------------------	---------------------------------------	--	---

Product Specs Sheets

TECHNOLOGIES

click



Collection
Mito

Model |
Mito A2028A

Dimensions Metric

1 inch = 2.54 cm
1 inch = 25.4 mm

WS[®]
BATH
COLLECTIONS

1051 Lea Drive - Collegeville, PA 19426
Tel. 215 513 9400 - Fax 610 831 0215
www.ws bathcollections.com - info@ws bathcollections.com