

## Features

- Lighted Wall Mirror
- Mirror with Frontal Side LED Lights
- High Quality 5 mm Thickness Crystal Mirror
- IP 44 - Natural Light Color 4000K
- Lumen 1160-2550
- Hard Wired
- Without Distortion
- Ecologic Production, Environment Friendly, No Lead or Copper
- Structure in Anodized Aluminum
- Made in Italy




## SKU# | Option:

- T5-2 L45712 | 23.6" L x 31.5" H
- T5-2 L45720 | 27.6" L x 35.4" H
- T5-2 L45737 | 39.4" L x 27.6" H
- T5-2 L45748 | 47.2" L x 31.5" H

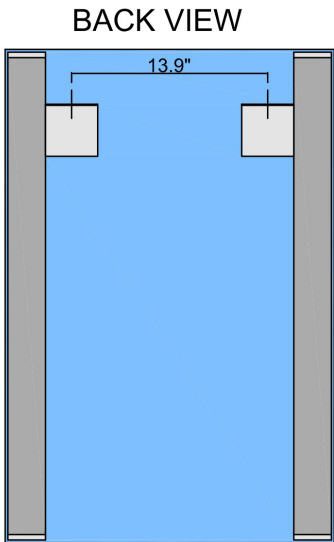
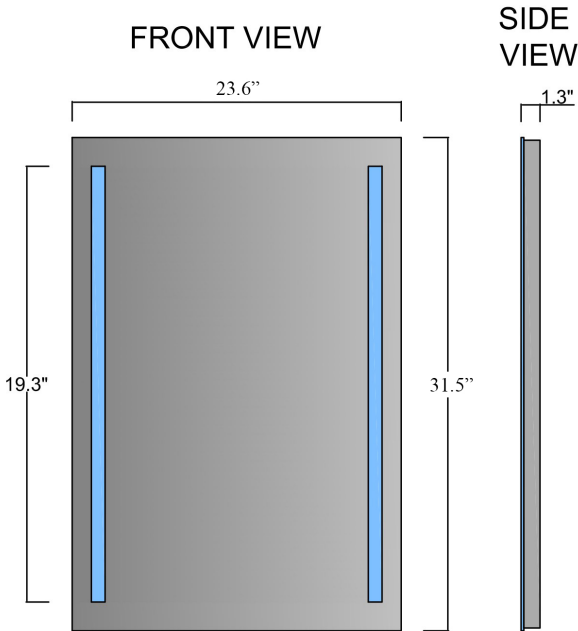
## Finishes:

 Glass Mirror

\* WS Bath Collections reserves the right to revise dimensions or information on this sheet without notice


<b>Collection  </b> T5	<b>Model  </b> T5-2	Dimensions Metric <i>1 inch = 2.54 cm</i> <i>1 inch = 25.4 mm</i>	 1051 Lea Drive - Collegeville, PA 19426 Tel. 215 513 9400 - Fax 610 831 0215 <a href="http://www.ws bathcollections.com">www.ws bathcollections.com</a> - <a href="mailto:info@ws bathcollections.com">info@ws bathcollections.com</a>
---------------------------	------------------------	---	---

T5-2 L45712

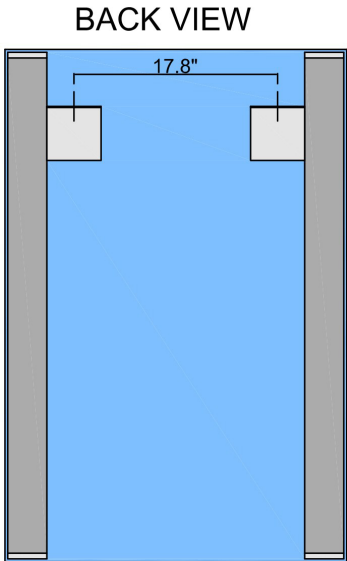
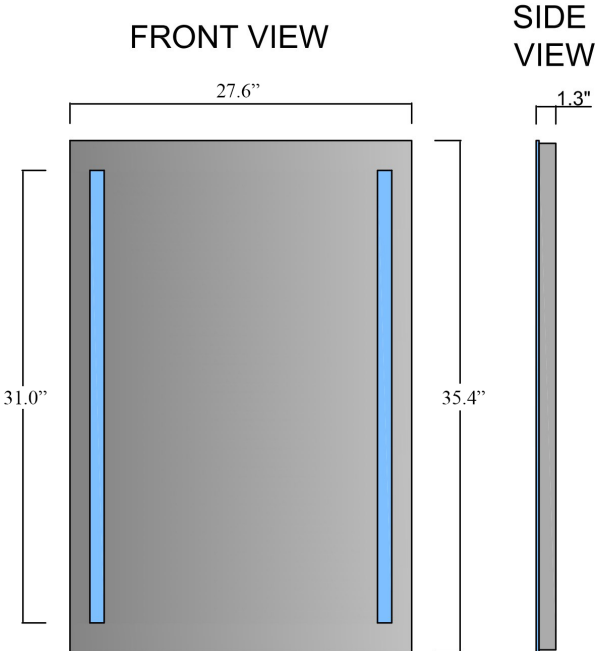


Lumen 2320

\* WS Bath Collections reserves the right to revise dimensions or information on this sheet without notice


<b>Collection  </b> T5	<b>Model  </b> T5-2 L45712	Dimensions Metric <i>1 inch = 2.54 cm</i> <i>1 inch = 25.4 mm</i>	 1051 Lea Drive - Collegeville, PA 19426 Tel. 215 513 9400 - Fax 610 831 0215 <a href="http://www.ws bathcollections.com">www.ws bathcollections.com</a> - <a href="mailto:info@ws bathcollections.com">info@ws bathcollections.com</a>
---------------------------	-------------------------------	---	---

T5-2 L45720

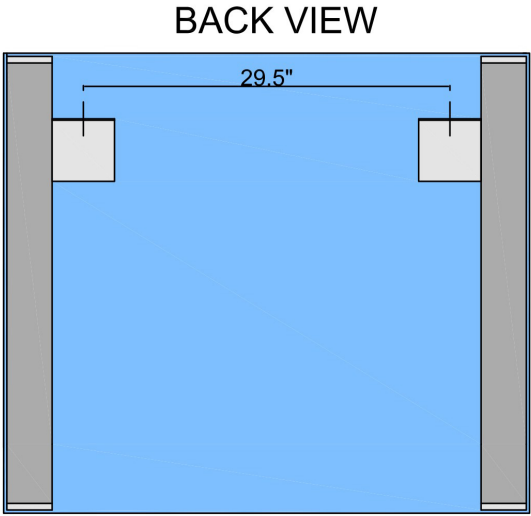
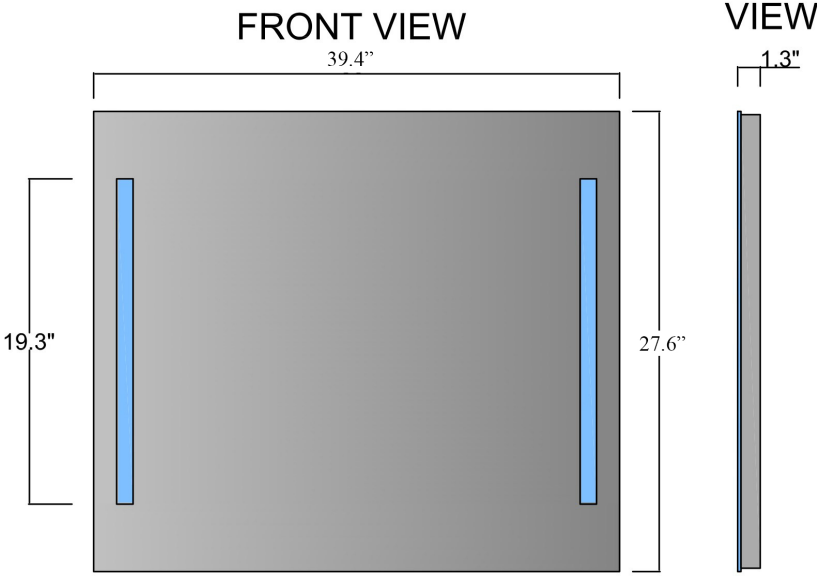


Lumen 3700

\* WS Bath Collections reserves the right to revise dimensions or information on this sheet without notice


<b>Collection  </b> T5	<b>Model  </b> T5-2 L45720	<b>Dimensions Metric</b> <i>1 inch = 2.54 cm</i> <i>1 inch = 25.4 mm</i>	 1051 Lea Drive - Collegeville, PA 19426 Tel. 215 513 9400 - Fax 610 831 0215 <a href="http://www.ws bathcollections.com">www.ws bathcollections.com</a> - <a href="mailto:info@ws bathcollections.com">info@ws bathcollections.com</a>
---------------------------	-------------------------------	--	---

T5-2 L45737

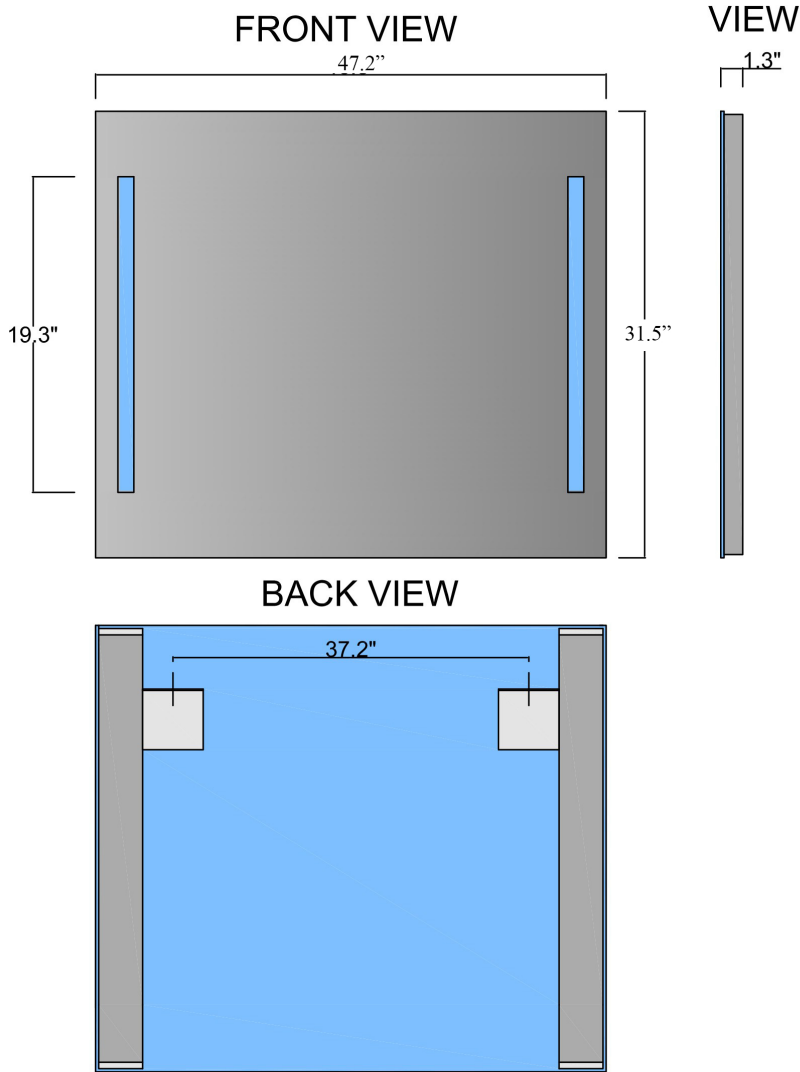


Lumen 2320

\* WS Bath Collections reserves the right to revise dimensions or information on this sheet without notice


<b>Collection  </b> T5	<b>Model  </b> T5-2 L45737	Dimensions Metric <i>1 inch = 2.54 cm</i> <i>1 inch = 25.4 mm</i>	 1051 Lea Drive - Collegeville, PA 19426 Tel. 215 513 9400 - Fax 610 831 0215 <a href="http://www.ws bathcollections.com">www.ws bathcollections.com</a> - <a href="mailto:info@ws bathcollections.com">info@ws bathcollections.com</a>
---------------------------	-------------------------------	---	---

T5-2 L45748



Lumen 2320

\* WS Bath Collections reserves the right to revise dimensions or information on this sheet without notice

<p><b>Collection  </b> T5</p>	<p><b>Model  </b> T5-2 L45748</p>	<p>Dimensions Metric 1 inch = 2.54 cm 1 inch = 25.4 mm</p>	 <p>1051 Lea Drive - Collegeville, PA 19426 Tel. 215 513 9400 - Fax 610 831 0215 <a href="http://www.ws bathcollections.com">www.ws bathcollections.com</a> - <a href="mailto:info@ws bathcollections.com">info@ws bathcollections.com</a></p>
-----------------------------------	---------------------------------------	--	---