

Features


- Lighted Wall Mirror
- LED Light (IP44)
- Upper LED Light
- Ecological Production without Lead and Copper

T5-1



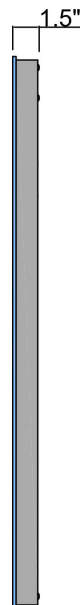
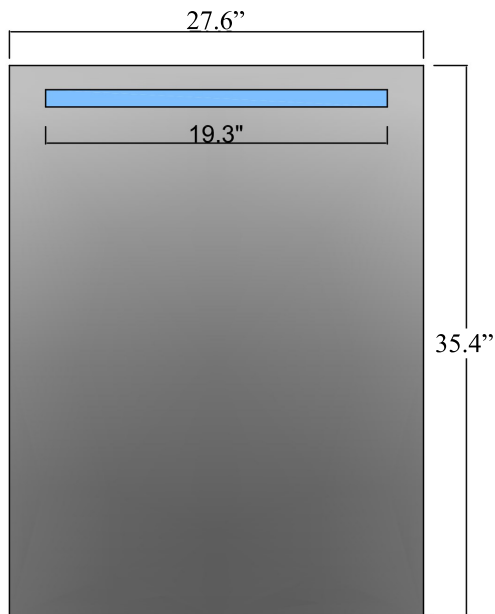
SKU# | Option:

- T5-1 L45769 | 27.6" W x 35.4" H | 1300lm | 9.8 Watt
- T5-1 L45771 | 31.5" W x 23.6" H | 1300lm | 9.8 Watt
- T5-1 L45776 | 35.4" W x 23.6" H | 1950lm | 14.7 Watt
- T5-1 L45903 | 47.2" W x 23.6" H | 2600lm | 19.6 Watt

<b>Collection</b> T5	<b>Model  </b> T5-1	<b>Dimensions Metric</b> <i>1 inch = 2.54 cm</i> <i>1 inch = 25.4 mm</i>	 1051 Lea Drive - Collegeville, PA 19426 Tel. 215 513 9400 - Fax 610 831 0215 <a href="http://www.ws bathcollections.com">www.ws bathcollections.com</a> - <a href="mailto:info@ws bathcollectins.com">info@ws bathcollectins.com</a>
-------------------------	------------------------	--	---

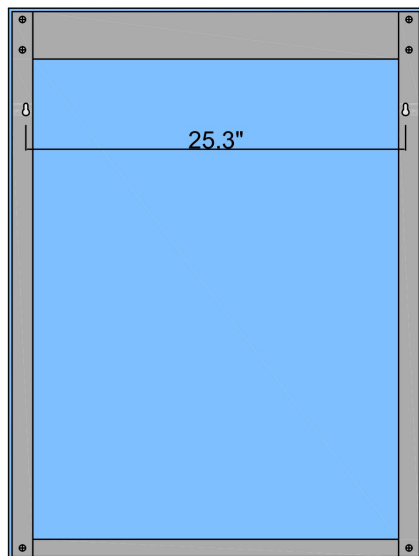
# Product Specs Sheets

## FRONT VIEW



## SIDE VIEW

## BACK VIEW



### DESCRIPTION

**KOH-I-NOOR** wall lighted mirrors with front side lights are realized with high quality glass, thickness 0.2 inch., ecological production without lead and copper. Structure anodized aluminium. Fortimo PHILIPS LED guarantee the best light effect lasting 50.000 hours. The kind of color of light we have is 4000K that is the natural light effect.  
LED cannot be changed directly.  
Energy class: A>A++  
110V- Class III, IP44 CE

L45769  
SHADE COLOR Frosted  
BODY FINISH : Aluminium anodized  
LED Fortimo PHILIPS 4000K 1x9.8 WATT  
WATTAGE . 9.8 W  
LUMEN/W: 132 Lm/W  
DIMENSIONS: 35.1"H x 27.3" W x 1.5" D



Collection  
T5-1

Model |  
V7/3'N6798;

Dimensions Metric

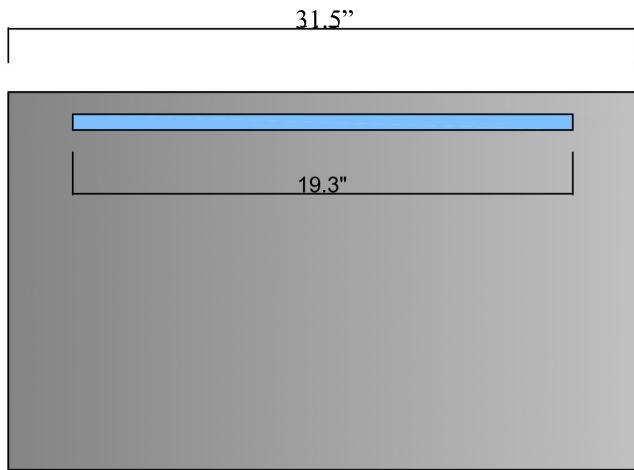
1 inch = 2.54 cm  
1 inch = 25.4 mm

**WS**<sup>®</sup>  
BATH  
COLLECTIONS

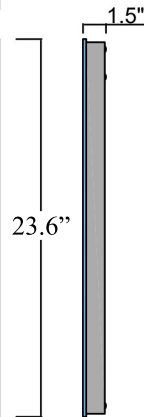
1051 Lea Drive - Collegeville, PA 19426  
Tel. 215 513 9400 - Fax 610 831 0215  
[www.ws bathcollections.com](http://www.ws bathcollections.com) - [info@ws bathcollections.com](mailto:info@ws bathcollections.com)

# Product Specs Sheets

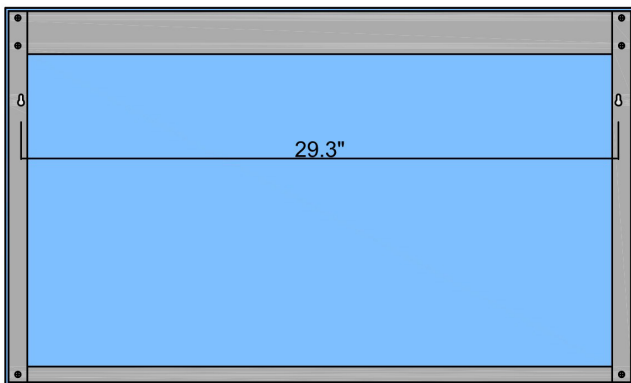
## FRONT VIEW



## SIDE VIEW



## BACK VIEW



### DESCRIPTION

**KOH-I-NOOR** wall lighted mirrors with front side lights are realized with high quality glass, thickness 0.2 inch., ecological production without lead and copper. Structure anodized aluminium. Fortimo PHILIPS LED guarantee the best light effect lasting 50.000 hours. The kind of color of light we have is 4000K that is the natural light effect. LED cannot be changed directly.  
 Energy class: A>A++  
 110V- Class III, IP44 CE

L45771  
 SHADE COLOR Frosted  
 BODY FINISH : Aluminium anodized  
 LED Fortimo PHILIPS 4000K 1x9.8 WATT  
 WATTAGE . 9.8 W  
 LUMEN/W: 132 Lm/W  
 DIMENSIONS: 23.4"H x 31.2" W x 1.5" D



Collection  
T5- 1

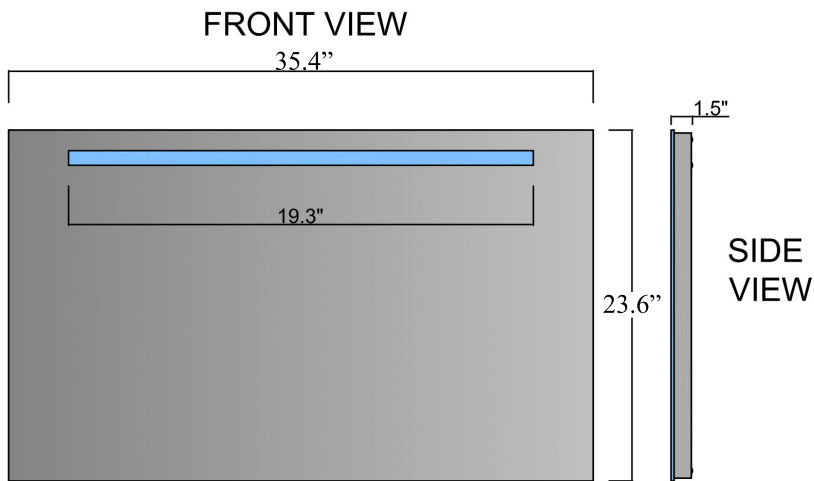
Model |  
V7/3"N67993

Dimensions Metric  
 1 inch = 2.54 cm  
 1 inch = 25.4 mm

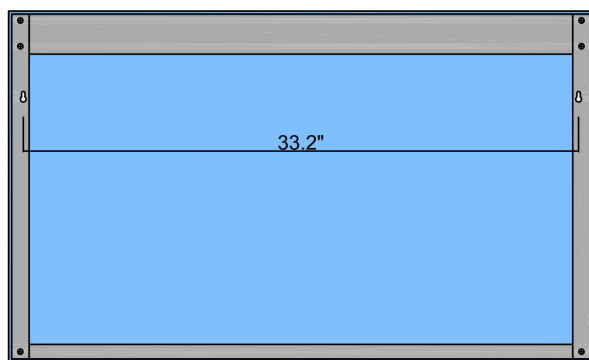


1051 Lea Drive - Collegeville, PA 19426  
 Tel. 215 513 9400 - Fax 610 831 0215  
[www.ws bathcollections.com](http://www.ws bathcollections.com) - [info@ws bathcollections.com](mailto:info@ws bathcollections.com)

# Product Specs Sheets



**BACK VIEW**



**DESCRIPTION**

**KOH-I-NOOR** wall lighted mirrors with front side lights are realized with high quality glass, thickness 0.2 inch., ecological production without lead and copper. Structure anodized aluminium. Fortimo PHILIPS LED guarantee the best light effect lasting 50.000 hours. The kind of color of light we have is 4000K that is the natural light effect.  
LED cannot be changed directly.  
Energy class: A>A++  
110V- Class III, IP44 CE

L45776  
SHADE COLOR Frosted  
BODY FINISH : Aluminium anodized  
LED Fortimo PHILIPS 4000K 1x14.7WATT  
WATTAGE . 14.7 W  
LUMEN/W: 132 Lm/W  
DIMENSIONS: 23.4"H x 35.1" W x 1.5" D



Collection  
T5- 1

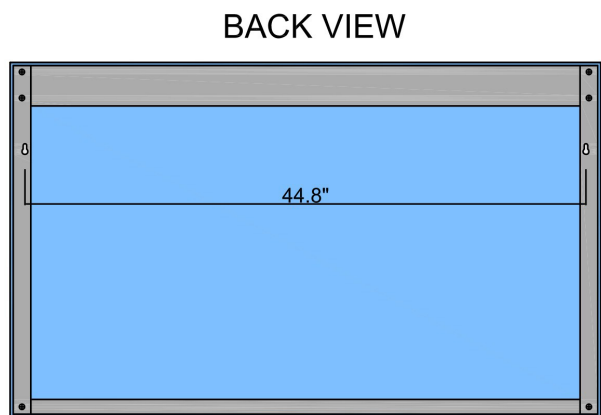
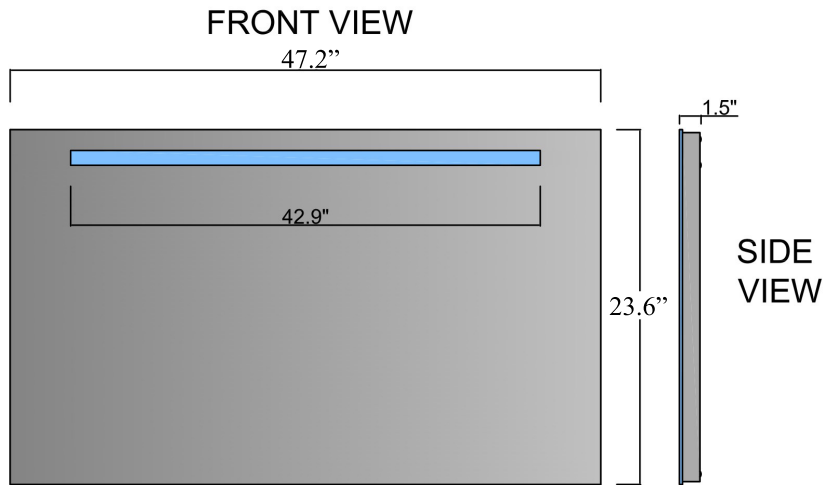
Model |  
V7/3"N67998"

Dimensions Metric  
*1 inch = 2.54 cm*  
*1 inch = 25.4 mm*



1051 Lea Drive - Collegeville, PA 19426  
Tel. 215 513 9400 - Fax 610 831 0215  
[www.ws bathcollections.com](http://www.ws bathcollections.com) - [info@ws bathcollections.com](mailto:info@ws bathcollections.com)

# Product Specs Sheets



## DESCRIPTION

**KOH-I-NOOR** wall lighted mirrors with front side lights are realized with high quality glass, thickness 0.2 inch., ecological production without lead and copper. Structure anodized aluminium. Fortimo PHILIPS LED guarantee the best light effect lasting 50.000 hours. The kind of color of light we have is 4000K that is the natural light effect. LED cannot be changed directly.  
 Energy class: A>A++  
 110V- Class III, IP44 CE

L45903  
 SHADE COLOR Frosted  
 BODY FINISH : Aluminium anodized  
 LED Fortimo PHILIPS 4000K 1x19.6WATT  
 WATTAGE . 19.6 W  
 LUMEN/W: 132 Lm/W  
 DIMENSIONS: 23.4"H x 46.8" W x 1.5" D



Collection  
T5- 1

Model |  
V7/3'N67; 25

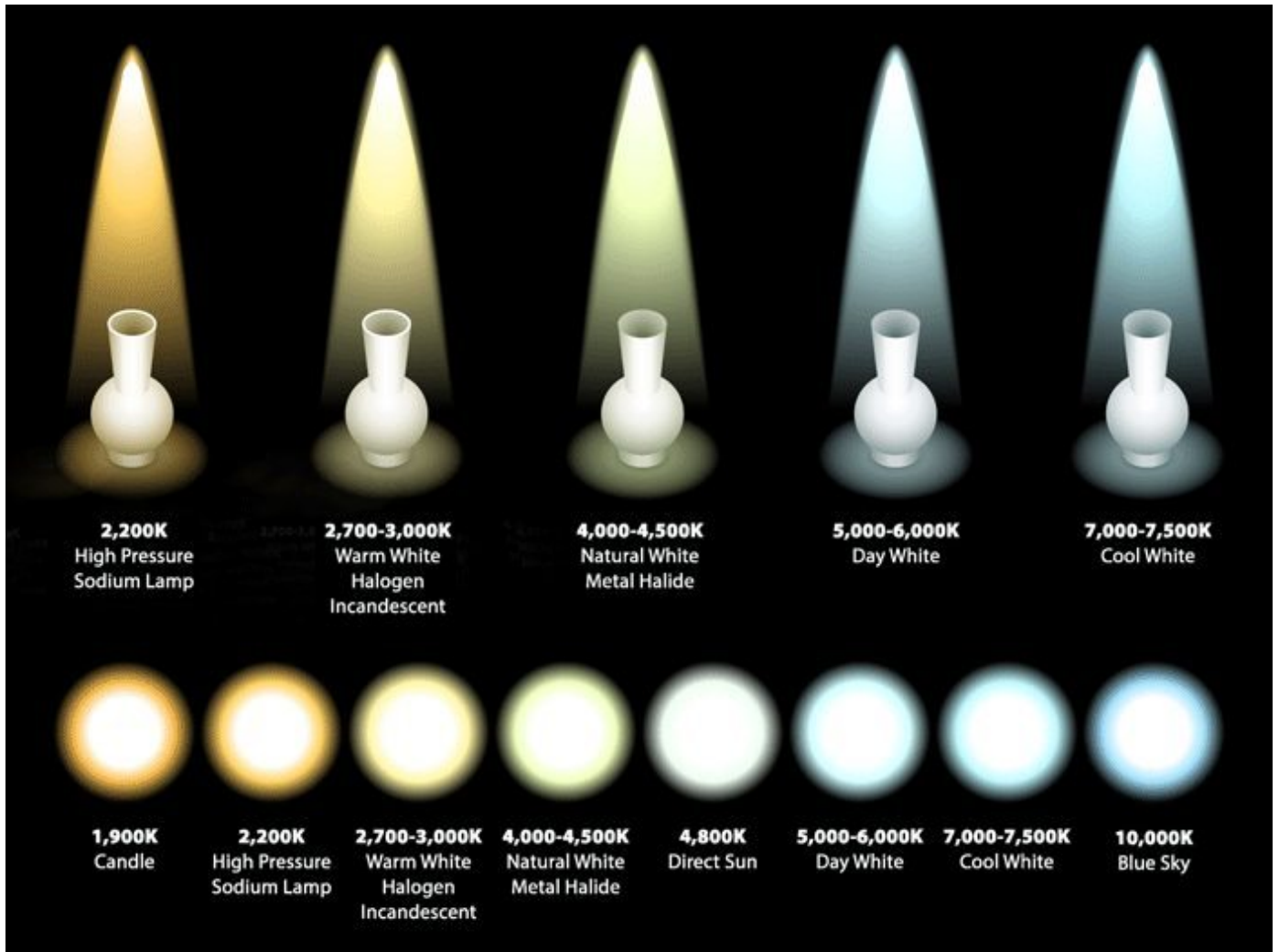
Dimensions Metric

1 inch = 2.54 cm  
 1 inch = 25.4 mm

**WS**<sup>®</sup>  
**BATH**  
**COLLECTIONS**

1051 Lea Drive - Collegeville, PA 19426  
 Tel. 215 513 9400 - Fax 610 831 0215  
[www.ws bathcollections.com](http://www.ws bathcollections.com) - [info@ws bathcollections.com](mailto:info@ws bathcollections.com)

# Product Specs Sheets



Collection  
Kelvin

Model |  
Kelvin Chart

Dimensions Metric

*1 inch = 2.54 cm*  
*1 inch = 25.4 mm*

**WS**<sup>®</sup>  
BATH  
COLLECTIONS

1051 Lea Drive - Collegeville, PA 19426  
Tel. 215 513 9400 - Fax 610 831 0215  
[www.ws bathcollections.com](http://www.ws bathcollections.com) - [info@ws bathcollections.com](mailto:info@ws bathcollections.com)