

Undermount Sinks Installation Instructions

Before You Start Installation

We recommend that you consult with a professional if you are unfamiliar with installing this type of product. WS Bath Collections accepts no liability for any damage to the property; floor, walls, plumbing, sink, or personal injury during installation.

Follow up all local plumbing and building codes.

Getting Started

Insure that you have all the requires materials and tools for the installation.

Make sure that in-wall plumbing has already been prepared.

Unpack the new sink and inspect it for damage prior to installation.

WS Bath Collections reserves the right to make revisions in the design of products without notice.

Installation

1. Verify countertop or cabinet clearance.
2. Trace the template on the countertop. Cut out the opening along the inside edge of the line.
3. Clean the underside of the countertop and the rim of the sink.
4. Loosely install the clips.
5. Generously apply 100% silicone around the rim.
6. Hold the sink in place and rotate each clip over the rim. Evenly tighten the clips to secure.
7. Immediately wipe away any excess sealant.
8. Proceed to installation of the drain, trap, water supply lines, and the sink faucet.

Note

WS Bath Collections reserves the right to make revisions in the design of products without notice.

Tools You May Need



Hammer



Damp Cloth



Pencil



Drill



Damp Cloth



Safety Goggles



Silicone Sealant
100%



Epoxy



Pencil

**Installation
Instructions**

**Model |
Undermount Sinks**

Dimensions Metric

*1 inch = 2.54 cm
1 inch = 25.4 mm*

**WS[®]
BATH
COLLECTIONS**

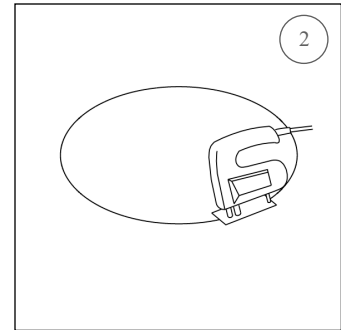
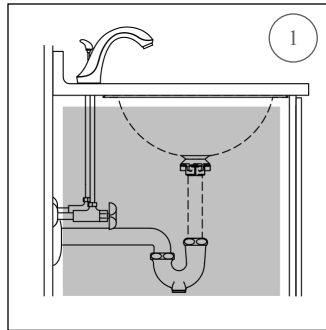
1051 Lea Drive - Collegeville, PA 19426
Tel. 215 513 9400 - Fax 610 831 0215

www.ws bathcollections.com - info@ws bathcollections.com

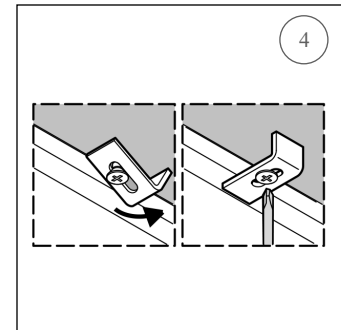
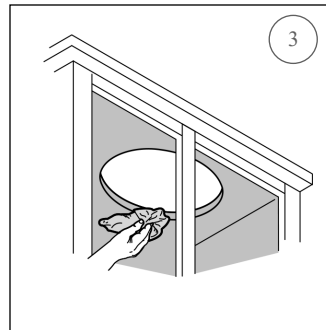
Undermount Sinks Installation Instructions

Installation Instructions & Diagrams

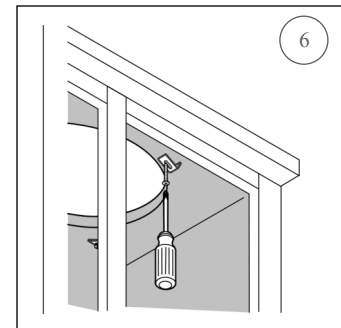
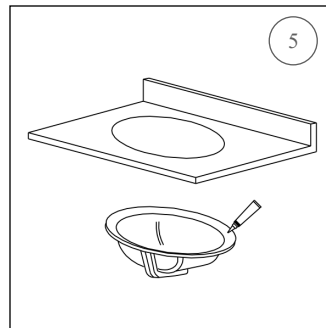
1. Verify countertop or cabinet clearance
2. Trace the template on the countertop. Cut out the opening along the inside edge of the line.



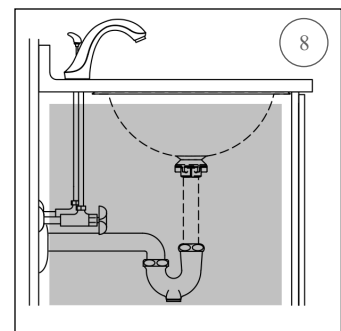
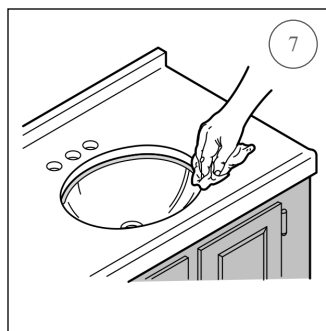
3. Clean the underside of the countertop and the rim of the sink.
4. Loosely install the clips.



5. Generously apply 100% silicone around the rim.
6. Hold the sink in place and rotate each clip over the rim. Evenly tighten the clips to secure.



7. Immediately wipe away any excess sealant.
8. Proceed to installation of the drain, trap, water supply lines, and the sink faucet.



**Installation
Instructions**

**Model |
Undermount Sinks**

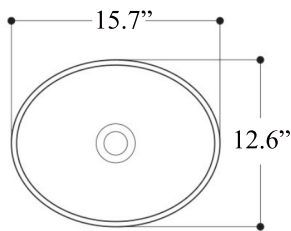
Dimensions Metric

*1 inch = 2.54 cm
1 inch = 25.4 mm*

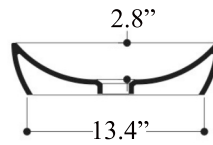
**WS[®]
BATH
COLLECTIONS**

1051 Lea Drive - Collegeville, PA 19426
Tel. 215 513 9400 - Fax 610 831 0215

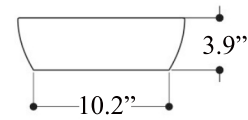
www.ws bathcollections.com - info@ws bathcollections.com



Plan View

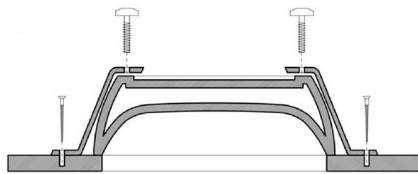


Elevation View

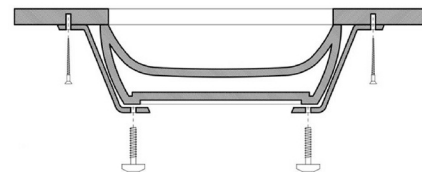


Side View

Installation Instructions - Under Mount Installation
Mounting Hardware (*Brackets included*)



Bottom View



Top View

Collection
H10

Model |
H10 40U - 8208001
H10 40C - 8208001

Dimensions Metric
1 inch = 2.54 cm
1 inch = 25.4 mm

WS[®] BATH COLLECTIONS
1051 Lea Drive - Collegeville, PA 19426
Tel. 215 513 9400 - Fax 610 831 0215
www.ws bathcollections.com - info@ws bathcollections.com