

Installation Guide | Collection H10 Bathroom Sinks

Index

| Bathroom Sink Type | Page |
|------------------------------------|------|
| Undermount Bathroom Sinks | 1-2 |
| Wall Mount Bathroom Sinks | 3-5 |
| Vessel & Countertop Bathroom Sinks | 6-7 |

Note:

Installation guides show general instructions and may not depict your exact model in the figures and graphics. WS Bath Collections accepts no liability for any damage to the property; floor, walls, plumbing, sink, or personal injury during installation.

If you have any questions or need any additional help please do not hesitate to contact us.

**Installation
Instructions**

**Model |
H10 Bathroom Sinks**

Dimensions Metric

*1 inch = 2.54 cm
1 inch = 25.4 mm*

The logo for WS Bath Collections features the letters 'WS' in a large, blue, serif font. To the right of 'WS' is the word 'BATH' in a smaller, blue, sans-serif font, and below 'BATH' is the word 'COLLECTIONS' in an even smaller, blue, sans-serif font. A registered trademark symbol (®) is located to the upper right of the 'S'.

1051 Lea Drive - Collegeville, PA 19426
Tel. 215 513 9400 - Fax 610 831 0215
www.ws bathcollections.com - info@ws bathcollections.com

Before You Start Installation

We recommend that you consult with a professional if you are unfamiliar with installing this type of product. WS Bath Collections accepts no liability for any damage to the property; floor, walls, plumbing, sink, or personal injury during installation.

Follow up all local plumbing and building codes.

Getting Started

Insure that you have all the requires materials and tools for the installation.

Make sure that in-wall plumbing has already been prepared.

Unpack the new sink and inspect it for damage prior to installation.

WS Bath Collections reserves the right to make revisions in the design of products without notice.

Installation

1. Verify countertop or cabinet clearance.
2. Trace the template on the countertop. Cut out the opening along the inside edge of the line.
3. Clean the underside of the countertop and the rim of the sink.
4. Loosely install the
5. Generously apply 100% silicone around the rim.
6. Hold the sink in place and rotate each over the rim. Evenly tighten the to secure the sink in place.
7. Immediately wipe away any excess sealant.
8. Proceed to installation of the drain, trap, water supply lines, and the sink faucet.

Note

WS Bath Collections reserves the right to make revisions in the design of products without notice.

Tools You May Need



Hammer



Damp Cloth



Pencil



Drill



Damp Cloth



Safety Goggles



Silicone Sealant
100%



Epoxy



Pencil

Items Included with Your Purchase:

Sink
Brackets 4 each

**Installation
Instructions**

**Model |
H10 - Undermount Sinks**

Dimensions Metric

*1 inch = 2.54 cm
1 inch = 25.4 mm*

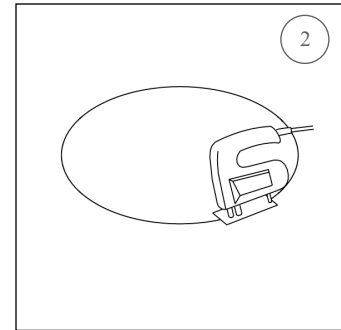
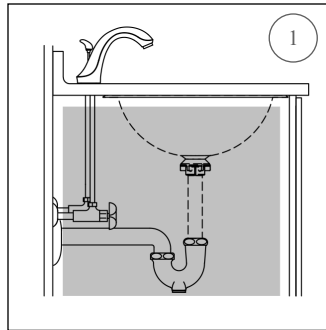
**WS[®]
BATH
COLLECTIONS**

1051 Lea Drive - Collegeville, PA 19426
Tel. 215 513 9400 - Fax 610 831 0215

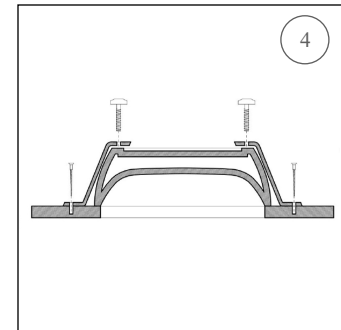
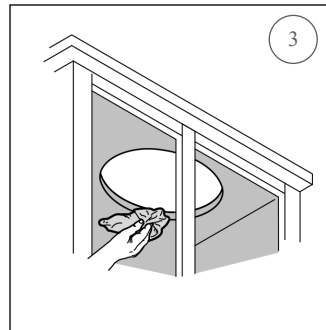
www.ws bathcollections.com - info@ws bathcollections.com

Installation Instructions & Diagrams

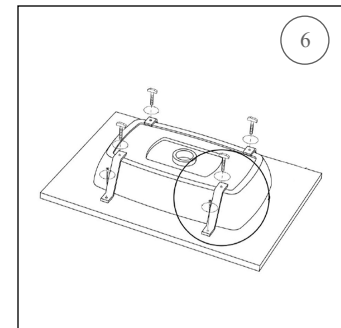
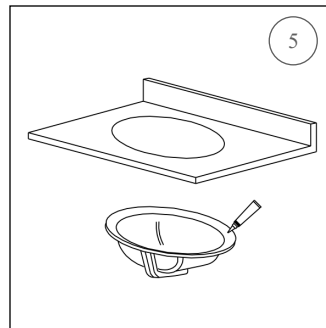
1. Verify countertop or cabinet clearance
2. Trace the template on the countertop. Cut out the opening along the inside edge of the line.



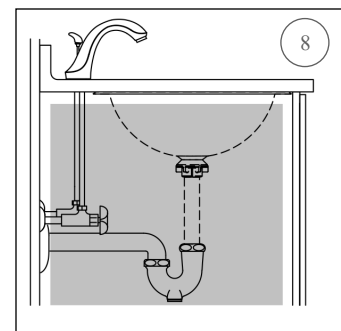
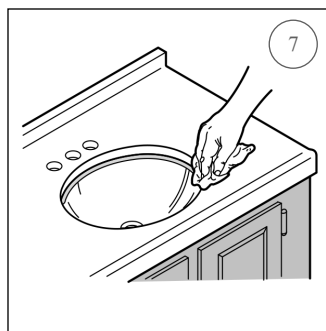
3. Clean the underside of the countertop and the rim of the sink.
4. Loosely install the brackets.



5. Generously apply 100% silicone around the rim.
6. Hold the sink in place and rotate each bracket over the rim. Evenly tighten the brackets to secure the sink in place.



7. Immediately wipe away any excess sealant.
8. Proceed to installation of the drain, trap, water supply lines, and the sink faucet.



**Installation
Instructions**

**Model |
H10 - Undermount Sinks**

Dimensions Metric

*1 inch = 2.54 cm
1 inch = 25.4 mm*

**WS[®]
BATH
COLLECTIONS**

1051 Lea Drive - Collegeville, PA 19426
Tel. 215 513 9400 - Fax 610 831 0215

www.ws bathcollections.com - info@ws bathcollections.com

Before You Start Installation

We recommend that you consult with a professional if you are unfamiliar with installing this type of product. WS Bath Collections accepts no liability for any damage to the property; floor, walls, plumbing, sink, or personal injury during installation.

Follow up all local plumbing and building codes.

Getting Started

Insure that you have all the requires materials and tools for the installation.

Install sufficient backing behind the finished wall to provide adequate support to secure the mounting hardware (refer to diagram attached). If the studs do not align with the sink, proper wood blocking must be installed between the studs where the sink will mount.

Make sure that in-wall plumbing has already been prepared.

Unpack the new sink and inspect it for damage prior to installation.

Installation

1. Hold the sink up at the desired installation location. Ensure that the sink is level, then mark the location of the mounting holes on the back of the sink.
2. Drill pilot holes at the marked locations of the sink's mounting holes.
3. Insert the anchors into the drilled holes, screw in the mounting hanger bolts.
4. Move the sink back into position at the installation location.
5. Secure sink with washers and nuts. Be careful not to over tighten the bolts to avoid sink chips and cracks.
6. Proceed to installation of the drain, trap, water supply lines, and the sink faucet.
7. Complete the installation by applying a thin bead of silicone around the back of the sink where it meets the wall.

Tools You May Need



Pencil



Measuring Tape



Level



Silicone Sealant
100%



Stud Finder



Drill



Wrench



Bolt



Drywall Anchor

Note

WS Bath Collections reserves the right to make revisions in the design of products without notice.

**Installation
Instructions**

**Model |
H10 - Wall-mount Sinks**

Dimensions Metric

1 inch = 2.54 cm
1 inch = 25.4 mm

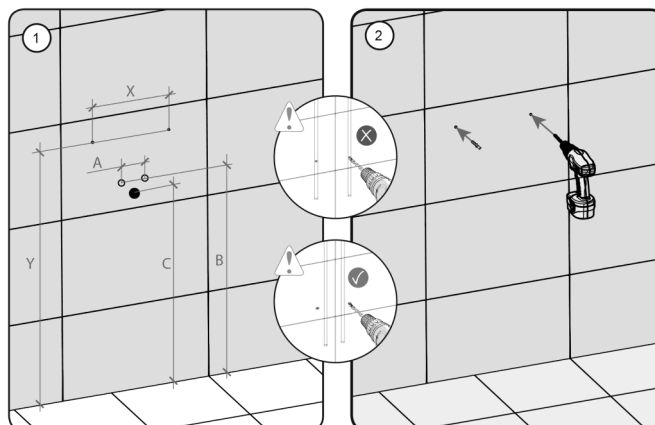
WS[®]
**BATH
COLLECTIONS**

1051 Lea Drive - Collegeville, PA 19426
Tel. 215 513 9400 - Fax 610 831 0215

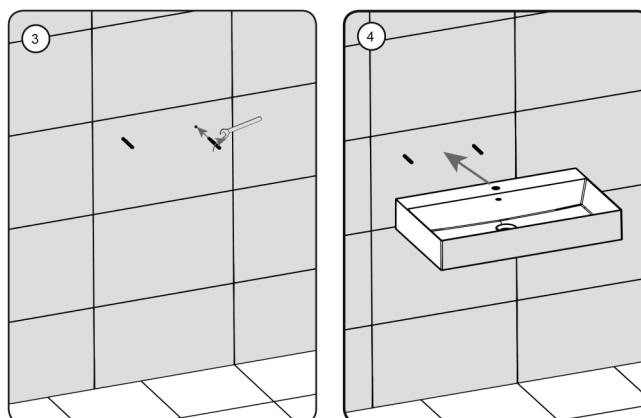
www.ws bathcollections.com - info@ws bathcollections.com

Installation Instructions & Diagrams

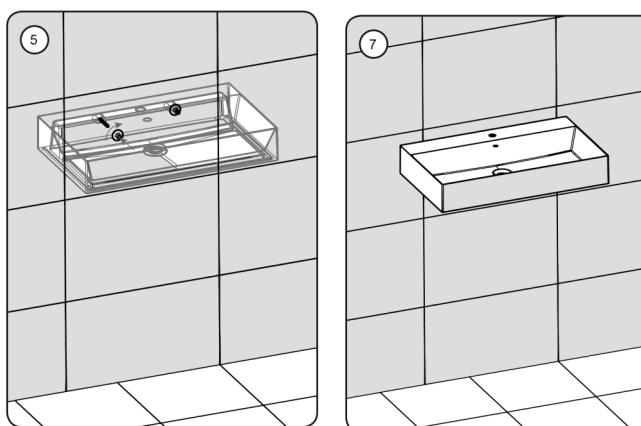
1. Hold the sink up at the desired installation location. Ensure that the sink is level, then mark the location of the mounting holes on the back of the sink.
2. Drill pilot holes at the marked locations of the sink's mounting holes.



3. Insert the anchors into the drilled holes, screw the mounting hanger bolts.
4. Move the sink back into position at the installation location.



5. Secure sink with washers and nuts. Be careful not to over tighten the bolts to avoid sink chips and cracks.
6. Proceed to installation of the drain, trap, water supply lines, and the sink faucet.
7. Complete the installation by applying a thin bead of silicone around the back of the sink where it meets the wall.



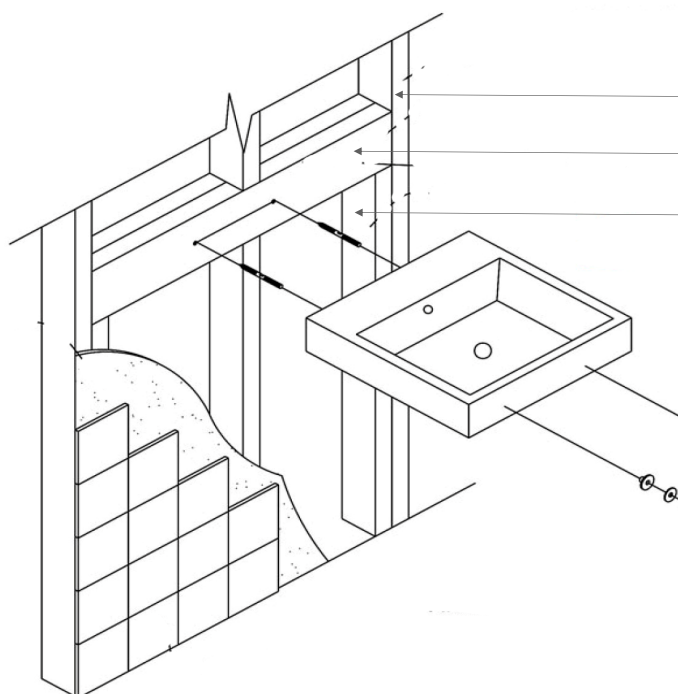
**Installation
Instructions**

**Model |
H10 - Wall-mount Sinks**

Dimensions Metric
1 inch = 2.54 cm
1 inch = 25.4 mm

WS[®]
**BATH
COLLECTIONS**

1051 Lea Drive - Collegeville, PA 19426
Tel. 215 513 9400 - Fax 610 831 0215
www.wsbatchcollections.com - info@wsbatchcollections.com



Studs

(2) 2" x 6" or larger needed for support of wall-mount sinks

Hanger bolt

Bushing

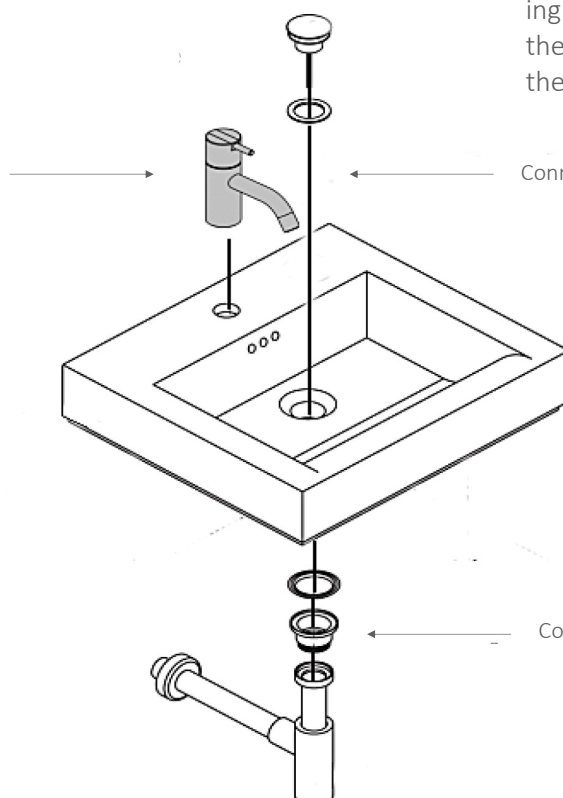
Washer

Nut

Proceed to installation of the drain, trap, water supply lines, and the sink faucet.

Complete the installation by applying a thin bead of silicone around the back of the sink where it meets the wall.

For deck-mount faucets:
Mount faucet and water supply lines



Connect drain

Connect trap assembly

**Installation
Instructions**

**Model |
H10 - Wall-mount Sinks**

Dimensions Metric
1 inch = 2.54 cm
1 inch = 25.4 mm

**WS[®]
BATH
COLLECTIONS**

1051 Lea Drive - Collegeville, PA 19426
Tel. 215 513 9400 - Fax 610 831 0215
www.ws bathcollections.com - info@ws bathcollections.com

Before You Start Installation

We recommend that you consult with a professional if you are unfamiliar with installing this type of product. WS Bath Collections accepts no liability for any damage to the property; floor, walls, plumbing, sink, or personal injury during installation.

Follow up all local plumbing and building codes.

Getting Started

Insure that you have all the requires materials and tools for the installation.

Make sure that in-wall plumbing has already been prepared.

Unpack the new sink and inspect it for damage prior to installation.

WS Bath Collections reserves the right to make revisions in the design of products without notice.

Installation

1. Position the sink on the countertop at the installation location.
2. Trace the sink drain hole onto the countertop.
3. Remove the sink and set aside.
4. Drill a 1 5/8" (41 mm) hole at the marked location. Hole can be larger depending on the drain hole size of the specific sink or a cutout may be needed depending on specific configuration of the sink at its bottom.
5. Move the sink back into position at the countertop installation location.
6. Align the sink and drain body assembly with the drain hole in the countertop.
7. Lower the drain body through the countertop drain hole until the sink rests on the countertop.
8. Secure sink with drain, washers, and nuts. Be careful not to over tighten to avoid sinks chips and cracks.
9. Proceed to complete installation of the drain, trap, water supply lines, and the sink faucet.
10. Complete the installation by applying a thin bead of silicone around the sink where it meets the countertop.

Tools You May Need



Silicone Sealant
100%



Damp Cloth



Pencil



Drill



Jigsaw

Note

WS Bath Collections reserves the right to make revisions in the design of products without notice.

**Installation
Instructions**

**Model |
H10 - Vessel & Countertop
Sinks**

Dimensions Metric

*1 inch = 2.54 cm
1 inch = 25.4 mm*

**WS[®]
BATH
COLLECTIONS**

1051 Lea Drive - Collegeville, PA 19426
Tel. 215 513 9400 - Fax 610 831 0215

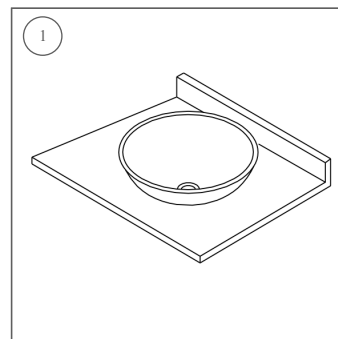
www.ws bathcollections.com - info@ws bathcollections.com

Installation Instruction & Diagrams

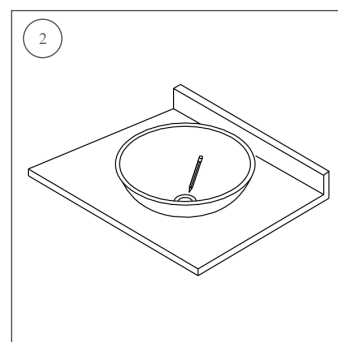
1. Position the sink on the countertop at the installation location.

Note:

Sink shown in round shape for illustration purpose only. Sink can be of any shape i.e. round, rectangular, among others.



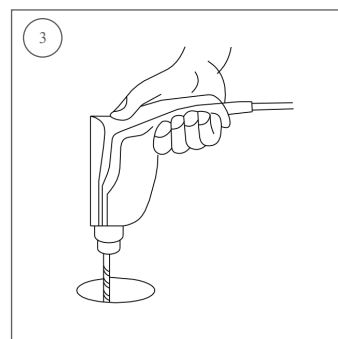
2. Trace the sink drain hole onto the countertop.
3. Remove the sink and set aside.



4. Drill a 1 5/8" (41 mm) hole at the marked location. Hole can be larger than 1 5/8" depending on the drain hole size of the specific sink.

Note:

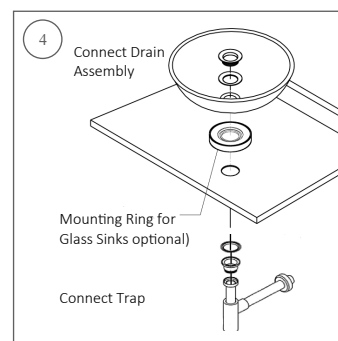
A larger hole may be needed depending on the drain hole size of the specific sink or
A cut out may be needed instead of hole depending on the specific configuration of the sink at its bottom.



5. Move the sink back into position at the countertop installation location.
6. Secure sink with washer and nuts. Be careful not to over tighten the bolts to avoid sink chips and cracks.
7. Proceed to installation of the drain, trap, water supply lines, and the sink faucet.
8. Complete the installation by applying a thin bead of silicone around the sink where it meets the countertop.

Note:

Mounting ring can be used with glass sinks as a decorative piece (optional).



**Installation
Instructions**

**Model |
H10 - Vessel & Countertop
Sinks**

Dimensions Metric
1 inch = 2.54 cm
1 inch = 25.4 mm

**WS[®]
BATH
COLLECTIONS**

1051 Lea Drive - Collegeville, PA 19426
Tel. 215 513 9400 - Fax 610 831 0215
www.wsbatchcollections.com - info@wsbatchcollections.com