

## Features

- Toilet Paper Holder
- Matte Black Finish
- Aluminum Base
- Wall Mount Installation
- Made in Italy

## Curva 5151



## SKU# | Option:

- Curva 5151.09 | White
- Curva 5151.18 | Matte Black

## Finishes

-  Glossy White
-  Matte Black

**Collection**  
Curva

**Model |**  
Curva 5151

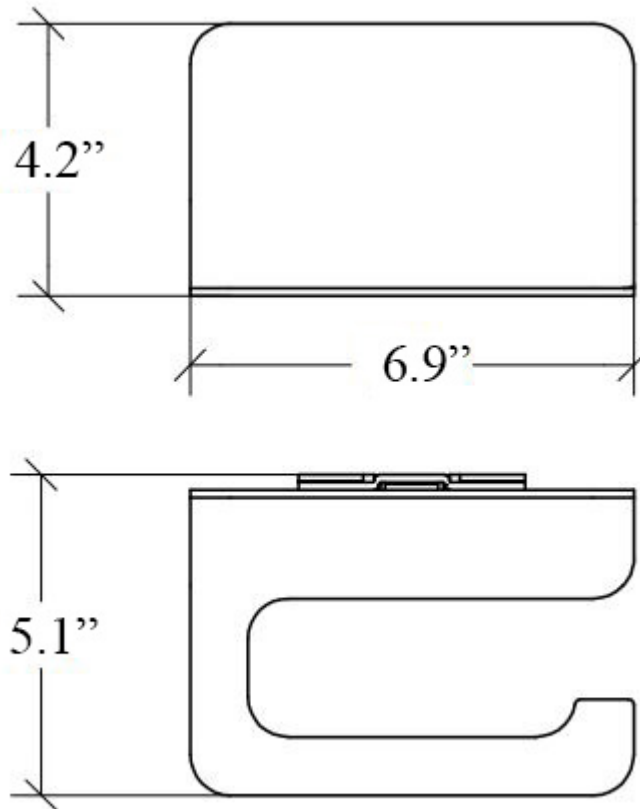
**Dimensions Metric**  
*1 inch = 2.54 cm*  
*1 inch = 25.4 mm*

 **WS**<sup>®</sup>  
**BATH**  
**COLLECTIONS**

1051 Lea Drive - Collegeville, PA 19426  
Tel. 215 513 9400 - Fax 610 831 0215

[www.ws bathcollections.com](http://www.ws bathcollections.com) - [info@ws bathcollectins.com](mailto:info@ws bathcollectins.com)

# Product Specs Sheets



Collection  
Curva

Model |  
Curva 5151

Dimensions Metric

*1 inch = 2.54 cm*

*1 inch = 25.4 mm*

**WS**<sup>®</sup>  
**BATH**  
**COLLECTIONS**

1051 Lea Drive - Collegeville, PA 19426

Tel. 215 513 9400 - Fax 610 831 0215

[www.ws bathcollections.com](http://www.ws bathcollections.com) - [info@ws bathcollections.com](mailto:info@ws bathcollections.com)