

# VERDEdri

## Hi-Speed Surface-Mounted ADA Compliant Hand Dryer

Secamanos compatible con ADA, de montaje en superficie, de alta velocidad

Sèche-mains grande vitesse monté en surface conforme à l'ADA

Oberflächenmontierter ADA-konformer Hochgeschwindigkeits-Händetrockner

Asciugamani elettrico ad alta velocità e conforme ADA per montaggio su superficie



### All "Q" Series

Todos los modelos de la serie "Q"

Toutes les séries Q

Alle Geräte der Serie „Q“

Tutti i modelli "Q"



**Please read and save these instructions. Read carefully before attempting to assemble, install, operate or service the product described. Protect yourself and others by observing all safety information. Failure to comply with instructions could result in personal injury and/or property damage. Retain instructions for future reference.**

Por favor lea y guarde estas instrucciones. Léelas cuidadosamente antes de tratar de montar, instalar, operar o dar mantenimiento al producto aquí descrito. Protéjase usted mismo y a los demás siguiendo todas las instrucciones de seguridad. No seguir las instrucciones puede ocasionar daños, tanto corporales como materiales. Guarde estas instrucciones como referencia para el futuro.

Lire et conserver ces instructions. Les lire attentivement avant de commencer à assembler, à installer, à faire fonctionner ou à entretenir l'appareil décrit. Pour se protéger et protéger autrui, observer toutes les consignes de sécurité. Négliger de se conformer à ces instructions peut causer des blessures personnelles et/ou des dommages matériels. Conserver ces instructions pour références ultérieures.

Bitte lesen Sie diese Anweisungen und bewahren Sie sie auf. Lesen Sie diese Anweisungen sorgfältig durch, bevor Sie das beschriebene Produkt zusammenbauen, montieren, betreiben bzw. warten. Beachten Sie für Ihren persönlichen Schutz und zum Schutz anderer sämtliche Sicherheitsinformationen. Eine Nichtbeachtung dieser Anweisungen kann zu Verletzungen und/oder Sachschäden führen. Bewahren Sie die Anweisungen für spätere Bezugnahme auf.

Leggere e conservare queste istruzioni. Leggere con attenzione prima di montare, installare, azionare o riparare il prodotto descritto. Proteggere se stessi e terzi attenendosi alle istruzioni sulla sicurezza. La mancata conformità alle istruzioni potrebbe comportare lesioni a persone e/o danni a cose. Conservare le istruzioni nel caso occorra consultarle.



**WORLD DRYER**

**World Dryer Corporation**

5700 McDermott Drive  
Berkeley, IL 60163 U.S.A.

800-323-0701

[www.worlddryer.com](http://www.worlddryer.com)

## Description

World warm air hand dryer is a surface-mounted ADA (American Disabilities Act) compliant dryer powered by a universal brushed motor, and delivers up to 950 watts of drying power. These models operate at all voltages 115 – 230VAC, incorporate an integrated heating element, blower speed control and infrared sensor for automatic activation. Your specific model may include a high efficiency particulate absorption (HEPA) filter to remove a minimum of 99.97% of contaminants at 0.3 microns in size or larger. These models are intended for use in commercial, industrial, office and public facility environments.


## Electrical Specifications

**Table 1**


Models	Type	Electrical Ratings	Certifications
Q-XXXXX	Automatic	115 / 208 / 230 VAC 950W 50/60Hz	cETLus, CE, IP24

## General Safety Information


This appliance is not intended for use by young children or persons with physical, sensory or mental disabilities unless adequately supervised by a responsible person to ensure they can use the appliance safely. Young children should be supervised to ensure they do not play with the appliance.

 **DANGER** Failure to disconnect the power source before installation or servicing can result in serious injury or death from electric shock.


- Always disconnect the power source before servicing or installing the hand dryer.

 **DANGER** Failure to properly ground this unit could result in severe electrical shock and/or death.

- This hand dryer must be properly grounded for safe operation. An identified ground connection point is supplied on the hand dryer's wall base.
- We recommend GFCI protection in wet or damp locations or as required by local code.

 **WARNING** Risk of fire, personal injury or property damage are possible if local codes, or safety recommendations are not followed.

- Installation and servicing should only be performed by qualified electrical technicians.
- Use only the electrical power (voltage and frequency) specified for the model hand dryer being installed. See Table 1 - Electrical Specifications.
- Connect the hand dryer to the nearest suitable distribution panel. The fixed wiring must include a disconnection means complying with local wiring codes.
- To limit a voltage drop, and insure efficient operation, use No.14 AWG wire or larger as required by local electrical codes.
- Always connect to a branch circuit with circuit breaker or fuse protection with an electrical rating greater than the model hand dryer's rated amperage shown in Table 1 - Electrical Specifications in accordance with required local electrical codes such as NEC (National Electrical Code) and/or CEC (Canadian Electrical Code).
- To avoid a hazard due to inadvertent resetting of the thermal cutout, the hand dryer must not be supplied through an external switching device, such as a timer, or connected to a circuit that is regularly switched on and off by the utility.
- Each automatic model hand dryer must have a dedicated circuit.
- Route all field wiring away from moving parts within the hand dryer.
- Use fittings with smooth, rounded surfaces for protection of power supply cables as required by local electrical codes such as The NEC (National Electrical Code) and/or CEC (Canadian Electrical Code).

 **CAUTION** Improper mounting could result in personal injury or property damage.

- Follow the mounting height recommendations in Table 2.
- On a stud wall, one side of the hand dryer should be mounted to an existing stud.

# Unpacking

1. Remove all packing material. Recycling is recommended.
2. Carefully remove the hand dryer from the shipping carton, using care not to drop the appliance.
3. Inspect carefully for any damage that may have occurred during transit. Check for any loose, missing or damaged parts. If the hand dryer is damaged, promptly inform the dealer where you purchased it.

# Installation

1. Disconnect the power source.
2. Using Table 2 to determine the recommended mounting height, select a mounting location for the hand dryer where no reflective surfaces or objects (such as a hand basin) are directly under the infra-red sensor eye. The infra-red sensor eye is visible from the bottom of the dryer. The minimum mounting distance from bottom of the dryer to a reflective surface is 18 in (46 cm). When two or more dryers are installed, they should be spaced apart 24 in (61 cm). Avoid placement where the dryer may be directly exposed to natural light (sunlight).
3. Use the security hex key supplied to turn the cover mounting screws **clockwise** to remove the cover from the dryer.
4. Using the mounting template provided, mark locations for the mounting bolt holes on the wall. For stud walls, ensure at least one fastening location will be secured to a stud.
5. Fasten the base to the wall, using the type of bolts recommended in Table 3.
6. Each dryer must have its own dedicated circuit.
7. Connect the dryer to the nearest suitable distribution panel.
8. Replace cover, turn screws **counter-clockwise** making certain not to over-tighten.

**IMPORTANT: Consult local and general regulations before performing dryer installation. Ensure the electrical network is not overloaded. Always connect to a branch circuit with circuit breaker or fuse protection with an electrical rating greater than the model hand dryer's rated amperage shown in Table 1 - Electrical Specifications in accordance with the required electrical codes such as NEC (National Electrical Code) and/or CEC (Canadian Electrical Code).**

**Table 2**

Recommended Mounting Heights from Floor to Dryer Bottom Edge	in. (cm.)
Men's washrooms	46 (117)
Women's washrooms	44 (112)
Children's washrooms, ages 4-7	32 (81)
Children's washrooms, ages 7-10	36 (91)
Children's washrooms, ages 10-13	40 (102)
Children's washrooms, ages 13-17	44 (112)
Handicap Mounting Height	37 (94)

**Table 3**

Type of Wall	Type of Bolt	Minimum Bolt Length
Hollow Tile, Lath, Wall Board or Metal	1/4" (M6) screw Type or Wing Type toggle Bolts	Dependent on wall thickness
Cement, Brick, or Tile Covered Cement or Brick	1/4" (M6) Stud Type Expansion Bolts	3" (76mm)
Stud Wall with wood Backing	No 16 (M8) Wood Screws	23/4" (70mm)

# Adjusting Blower Speed

These models include adjustable blower speed control for (2) levels of operation – Hi, and Low. The switch is located on the printed circuit board inside the dryer as shown in Fig. 1 below.

**Note: The factory setting for the blower speed control is “Hi”.**

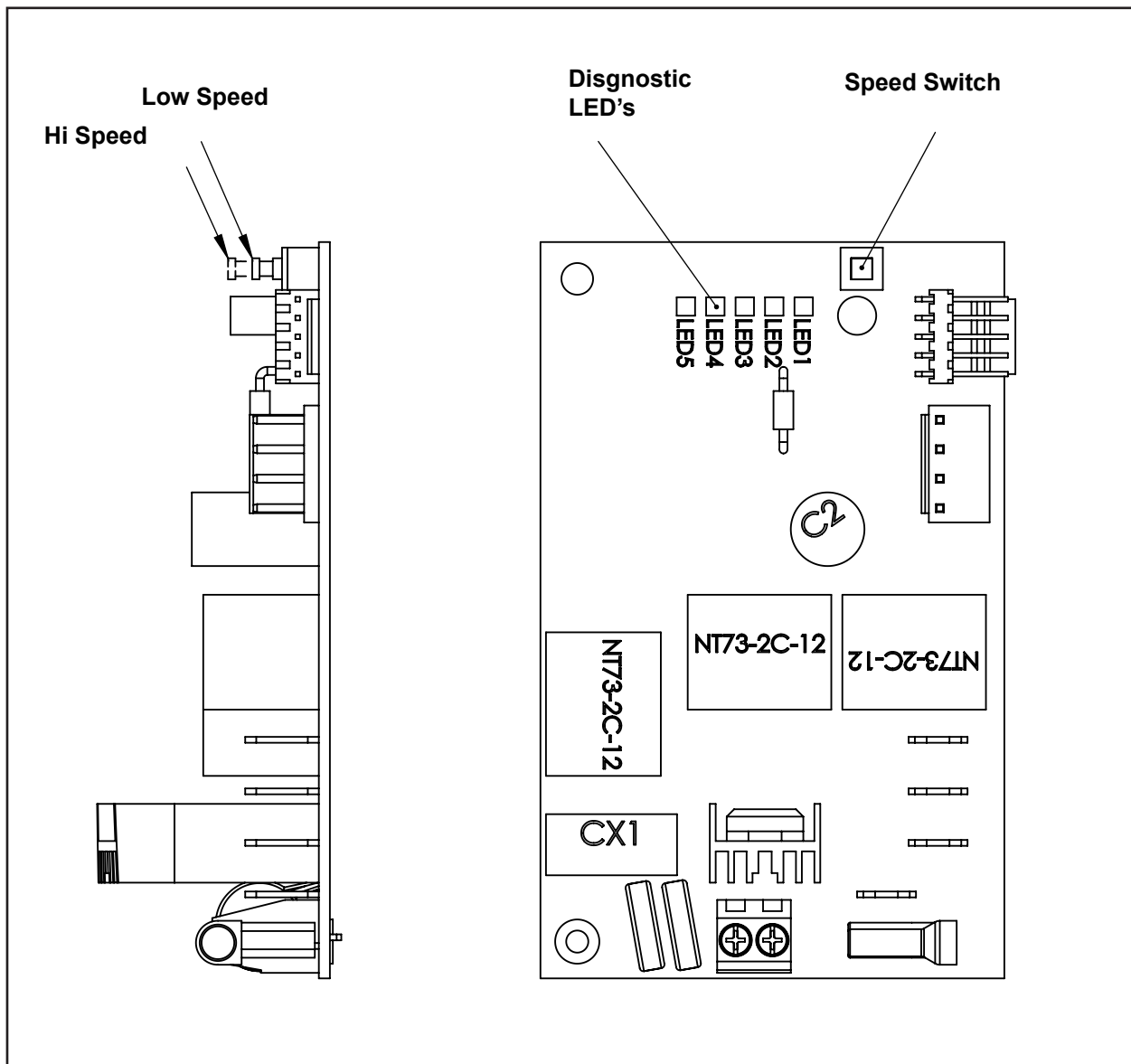
To adjust blower speed:

1. Disconnect the power source.
2. Use the security hex key supplied to turn the cover mounting screws **clockwise** to remove the cover from the dryer.
3. Locate the switch on the printed circuit board inside the dryer as shown in Fig. 1 below, and adjust blower speed as desired. (Note: When Low speed is selected, LED 4 on the printed circuit board will light “blue”).

Reassemble the dryer cover using the security hex key supplied to turn the cover mounting screws **counter-clockwise** and tighten until snug. Do not over tighten.

4. Reconnect the power source.

**Figure 1**



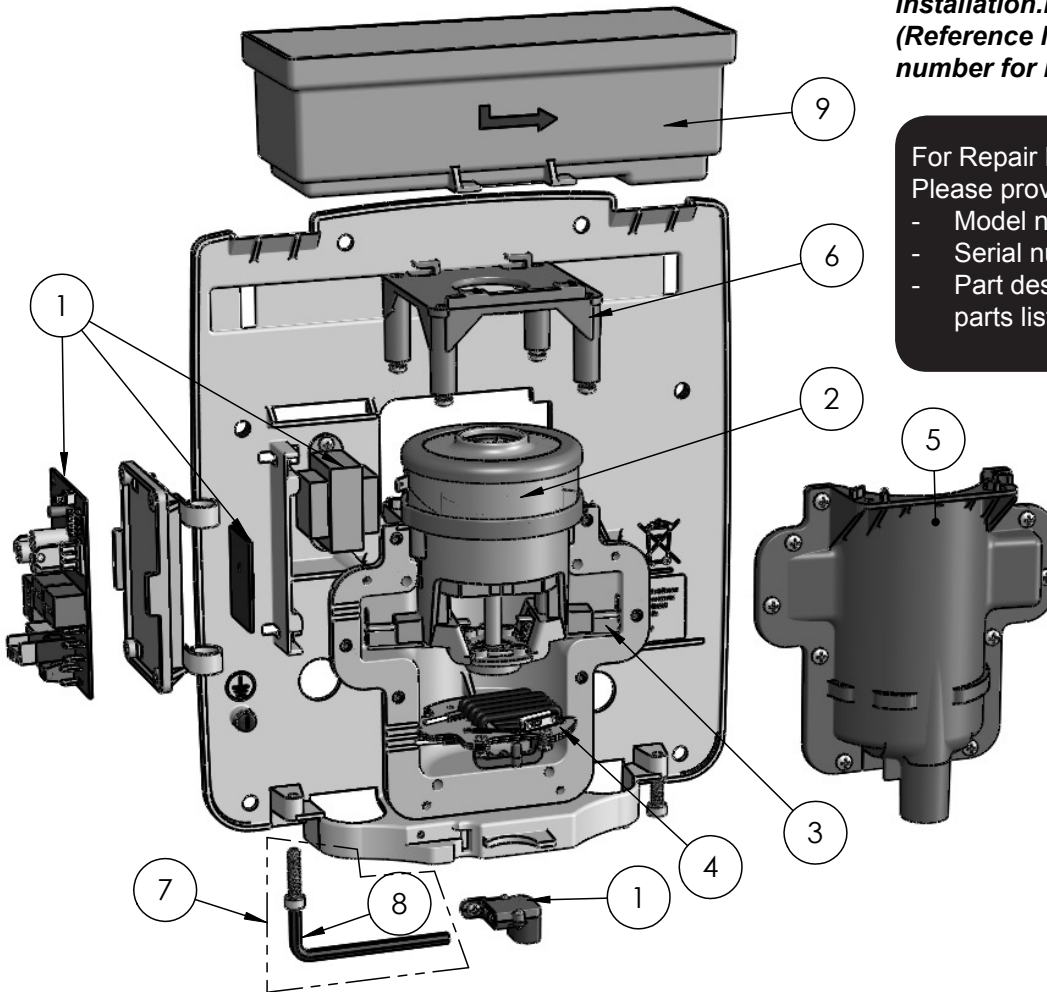
# Parts List

## Repair Parts List For VERDEdri™ Hand Dryer

*All kits include fasteners needed for installation. Part Number for Cover Assy. (Reference Number 7) varies with model number for hand dryer.*

For Repair Parts, visit [www.WorldDryer.com](http://www.WorldDryer.com)  
Please provide following information:

- Model number
- Serial number
- Part description and number shown in parts list



#	Description	Part Number
1	Kit, Dryer Controls with Sensor and Transformer	16-10283K
2	Kit, Motor	32-10268K
3	Kit, Replacement Motor Brushes	32-10337K
4	Kit, Heating Element	21-10306K
5	Kit, Front Plenum – with Seal	47-10270K
6	Kit, Motor Cap	47-10297K
7 (not shown)	Cover Assy - Alum - White	20-Q974
	Cover Assy – Alum – Black	20-Q162
	Cover Assy - Alum - Polished Stainless Steel	20-Q972
	Cover Assy - Alum - Brushed Stainless Steel	20-Q973
7	Kit, Security Screws (includes Wrench)	46-040221K
8	Wrench, Security	56-40189
9	Filter, HEPA (for models with HEPA filter)	93-10292
10	Filter, Coarse Particulate (for models without HEPA filter) (not shown)	93-10331

# Maintenance and Cleaning Instructions

**IMPORTANT:** The dryer may collect lint and debris that is naturally present in the air. Excessive build up of lint and debris can damage the motor and heating element. The dryer should be cleaned on a routine schedule to maintain the dryer in good operating condition. With light to moderate wash room traffic, cleaning once a year is recommended. If wash room traffic is high, cleaning every 6 months is recommended.

To clean the hand dryer:

1. Disconnect the power source.
2. Use the security hex key supplied to turn the cover mounting screws **clockwise** to remove the cover from the dryer.
3. Use a soft-medium bristle paint brush to clean lint, dust and debris from the air intake slots, and the motor's exterior.
4. After cleaning, reassemble the dryer cover using the security hex key supplied to turn the cover mounting screws **counter-clockwise** and tight until snug. Do not over tighten.

## HEPA Filter Replacement (for models including HEPA filters)

Your specific model may include a high efficiency particulate absorption (HEPA) filter to remove a minimum of 99.97% of contaminants at 0.3 microns in size or larger.

The service life of a HEPA filter depends on the environment in which the dryer is installed and frequency of use. High traffic washrooms or high usage will require more frequent inspection and replacement of the HEPA filter. The HEPA filter should be inspected at least four times per year in washrooms with light to moderate traffic and normal environments. In environments with excessive, dust and debris or in washrooms with high traffic, inspection of the HEPA filter is recommended on a monthly basis. When visual inspection of the HEPA filter shows excessive buildup of lint, dust and debris, the filter should be replaced.

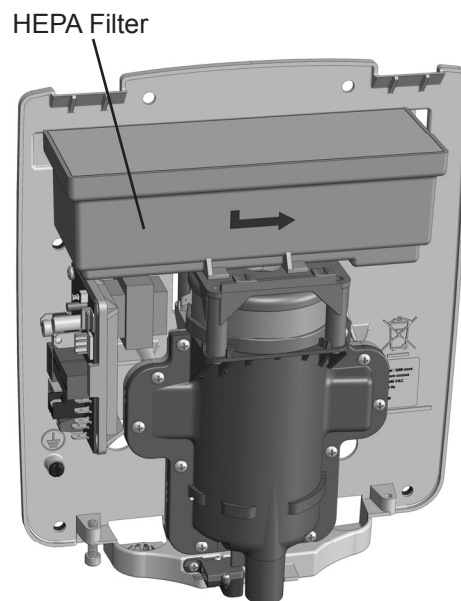
Examining and changing a HEPA filter regularly keeps hand dryers working efficiently. Operating a hand dryer with an excessively dirty or clogged filter can damage your machine.

The HEPA filter cannot be cleaned and re-used. Do not clean the HEPA filter or allow it to come into contact with water.

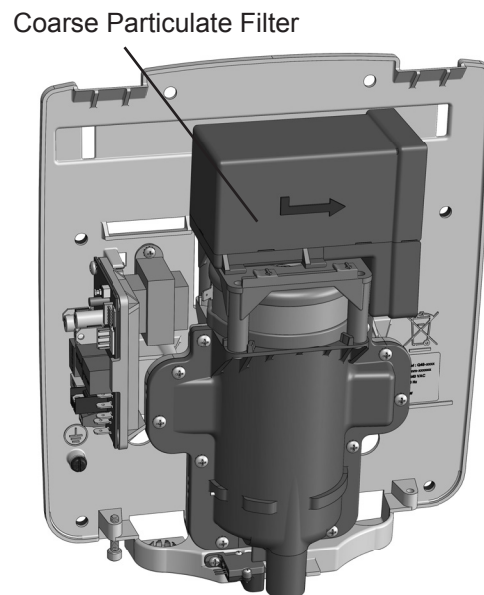
To inspect or replace the HEPA filter:

1. Disconnect the power source.
2. Use the security hex key supplied to turn the cover mounting screws **clockwise** to remove the cover from the dryer.
3. Removing and replacing the HEPA filter is easily done by sliding the filter in its mounting track on the motor cap.
4. After replacing the HEPA filter, reassemble the dryer cover using the security hex key supplied to turn the cover mounting screws **counter-clockwise** and tight until snug. Do not over tighten.
5. Reconnect the power source.

**Figure 2**



**Models with HEPA Filter**



**Models not including HEPA Filters**

## Coarse Particulate Filter (for models not including HEPA filters)

The dryer has a coarse particulate air filter to prevent lint and debris build up that can damage the motor and heating element. Routine replacement or cleaning of the air filter is needed to maintain the dryer in good operating condition. With light to moderate wash room traffic, replacing or cleaning the air filter once a year is recommended. If the wash room traffic is high, the air filter should be replaced or cleaned every 6 months. Read complete instruction before proceeding.

To replace or clean the coarse particulate air filter:

1. Disconnect the power source.
2. Use the security hex key supplied to turn the cover mounting screws **clockwise** to remove the cover from the dryer.
3. Removing and replacing the air filter is easily done by gently pulling the filter away from the filter housing.
4. To clean the coarse particulate air filter, remove from filter from the filter housing. Use soft-medium bristle ½" paint brush to clean lint, dust and debris from the filter. If air filter cannot be completely cleared of debris, replace the filter.
5. After replacing the air filter into the filter housing, reassemble the dryer cover using the security hex key supplied to turn the cover mounting screws **counter-clockwise** and tight until snug. Do not over tighten.
6. Reconnect the power source.

## Diagnostic LED' Display

The printed circuit board includes a set of LED's that indicate the operational status of the hand dryer. When contacting World Dryer Technical Service, be prepared to remove the dryer's cover and provide the condition of the LED's as they can be helpful in troubleshooting the dryer. See Figure 1 for location of diagnostic LED's on the printed circuit board. See Table 4 for an explanation of LED function.

## Diagnostic LED Function

**Table 4**

IR Sensor Activity	Dryer Speed	Supply Voltage Detected			Indication
LED 5	LED 4	LED 3	LED 2	LED 1	
		Flashing	Flashing	Flashing	Power Supply Voltage is less than 100V or greater than 255V
		OFF	OFF	Red	Power Supply Voltage is 110 – 120V
		OFF	Yellow	Off	Power Supply Voltage is 208V
		Light Green	OFF	OFF	Power Supply Voltage is 240V
	Blue				Motor speed is set at low speed
Green (solid)					IR sensor detects hands or object in sensing zone
Flashing Green					In vandal-resistant "lock out" mode (check for sensor obstruction)

# Troubleshooting Chart

Dryer fails to start.	Incoming Power Supply	Remove cover and check diagnostic LEDs. If no LED's are lit, check power supply at the circuit breaker / fuse.
	Defective PCB	If no LED's are lit above and supply circuit is confirmed to be active, replace PCB and transformer.
	Sensor Obstruction	If LED 5 is lit or flashing (Green) <b>without hands under the sensor</b> , check Sensor Lens for foreign material or dirt. Clean Lens with soft damp cloth and mild cleaning agent
	Defective Sensor Operation	If LED 5 does not light when hands are under sensor, replace PCB and sensor.
	Motor Brushes at End of Service Life	Check motor brushes and replace if necessary.
	Defective Heating Element <b>(Important: Applies only when connected to 208 – 240V power supply)</b>	If dryer is connected to 208 – 240V power supply and all other possible causes have been checked, replace the heating element.
Dryer too loud.	Dryer Speed Setting	Adjust blower speed to "Low". See page 4. When operating at low speed, LED 4 will light (blue) when hands are under sensor.
Air temperature is too cold. The dryer's heating fluctuates / goes "on" and "off" during a drying cycle. The dryer speed fluctuates up and down during a drying cycle.	Defective Heating Element <b>(Important: Applies only when connected to 120V power supply)</b>	Replace heating element.
Dryer will only run a few seconds and then stops. Dryer will not activate every time. Arcing sound during operation. Funny smell (ozone) during operation.	Motor Brushes at End of Service Life	Check motor brushes and replace if necessary.
	Defective Heating Element <b>(Important: Applies only when connected to 208 – 240V power supply)</b>	Replace heating element.

# Limited Warranty

**World LIMITED FIVE – YEAR WARRANTY.** World Warm Air Hand Dryer, Model covered in this manual, is warranted by World Dryer Corporation to the original user against defects in workmanship or materials under normal use for 5 years after date of purchase excluding normal wear and tear, or expendable parts such as HEPA filters, motor brushes, etc. Any part which is determined to be defective in material or workmanship and returned to an authorized service location, as World designates, shipping costs prepaid, will be, as the exclusive remedy, repaired or replaced at World's option. For limited warranty claim procedures, see PROMPT DISPOSITION below. This limited warranty gives purchasers specific rights from jurisdiction to jurisdiction.

**LIMITATION OF LIABILITY.** To the extent allowable under applicable law, World's liability for consequential and incidental damages is expressly disclaimed. World's liability in all events is limited to and shall not exceed the purchase price paid.

**WARRANTY DISCLAIMER.** World has made a diligent effort to provide product information and illustrate the products in this literature accurately; however, such information and illustrations are for the sole purpose of identification, and do not express or imply a warranty that the products are MERCHANTABLE, or FIT FOR A PARTICULAR PURPOSE, or that the products will necessarily conform to the illustrations or descriptions. Except as provided below, no warranty or affirmation on fact, expressed or implied, other than as stated in the "LIMITED WARRANTY" above is made or authorized by World.

**PRODUCT SUITABILITY.** Many jurisdictions have codes and regulations governing sales, construction, installation, and/or use of products for certain purposes, which may vary from those in neighboring areas. While World attempts to assure that the products comply with such codes, it cannot guarantee compliance, and can not be responsible for how the product is installed or used. Before purchase and use of a product, review the product application, and all applicable national and local codes and regulations, and be sure that the product, installation, and use will comply with them.

Certain aspects of disclaimers are not applicable to consumer products; e.g., (a) some jurisdictions do not allow the exclusion or limitation of incidental or consequential damages, so the above limitation or exclusion may not apply to you; (b) also, some jurisdictions do not allow a limitation on how long an implied warranty lasts, consequentially the above limitation may not apply to you; and (c) by law, during the period of this Limited Warranty, and implied warranties of implied merchantability or fitness for particular purpose applicable to consumer products purchased by consumers, may not be excluded or otherwise disclaimed.

Manufactured by World Dryer Corporation, Berkeley, Illinois 60163 U.S.A

**PROMPT DISPOSITION.** World will make a good faith effort for prompt correction or other adjustment with respect to any product which proves to be defective within limited warranty. For any product believed to be defective within limited warranty, first write or call dealer from whom the product was purchased. Dealer will give additional directions. If unable to resolve satisfactorily, write to World at address below, giving dealer's name, address, date, and number of dealer's invoice, and describing the nature of defect. Title and risk of loss pass to buyer on delivery to common carrier. If product was damaged in transit to you, file claim with carrier.



## Descripción

El secamanos de aire caliente World Warm Air es un aparato que se monta sobre una superficie, que cumple con la ley ADA (Ley Estadounidense para Discapacitados) y que funciona con un motor universal de escobillas que genera 950 vatios de potencia de secado. Estos modelos funcionan a todas las tensiones de 115 a 230 VCA, disponen de un elemento calefactor integrado, un control de velocidad del ventilador y un sensor de rayos infrarrojos para su activación automática. Su modelo específico puede incluir un filtro de absorción de partículas de alta eficiencia (HEPA) para eliminar un mínimo del 99,97% de los contaminantes de 0,3 micras de tamaño o más grandes. Estos modelos están diseñados para entornos comerciales, industriales, de oficinas e instalaciones públicas.


## Especificaciones del sistema eléctrico

Tabla 1


Modelos	Tipo	Clasificaciones eléctricas	Certificaciones
Q-XXXXX	Automático	115 / 208 / 230 VCA 950W 50/60Hz	cETLus, CE, IP24

## Información de seguridad general


Este aparato no está hecho para que lo utilicen niños pequeños o personas con capacidades físicas, sensoriales o mentales disminuidas, a menos que sean supervisados por una persona responsable y puedan utilizar el aparato de manera segura. Hay que supervisar a los niños pequeños para que no jueguen con el aparato.

 **PELIGRO** No desconectar el suministro eléctrico antes de realizar la instalación o el mantenimiento puede resultar en lesiones graves o la muerte por descarga eléctrica.


- Desconecte siempre el suministro eléctrico antes de instalar el secamanos o efectuar su mantenimiento.

 **PELIGRO** No conectar correctamente a tierra esta unidad puede resultar en una descarga eléctrica grave o la muerte.

- Este secamanos se debe conectar correctamente a tierra para que funcione en forma segura. En la base del secamanos se identifica un punto de conexión a tierra.
- Recomendamos utilizar un protector GFCI (interruptor de circuito por pérdidas accidentales a tierra) en lugares mojados o húmedos, o donde lo exija el código local.

 **ADVERTENCIA** Hay riesgos posibles de incendio, lesiones personales o daños materiales si no se cumple con los códigos locales o las recomendaciones de seguridad.

- La instalación y el mantenimiento deben ser realizados únicamente por técnicos eléctricos cualificados.
- Utilice únicamente la energía eléctrica (voltaje y frecuencia) especificada para el modelo de secamanos que se esté instalando. Consulte la Tabla 1 - Especificaciones del sistema eléctrico.
- Conecte el secamanos al tablero de distribución adecuado más cercano. El cableado fijo debe incluir un medio de desconexión que cumpla con los códigos de cableado locales.
- Para limitar las caídas de voltaje y garantizar un funcionamiento eficiente, utilice un cable de calibre AWG 14 o mayor de acuerdo con los requisitos de los códigos eléctricos locales.
- Conecte siempre a un ramal que tenga instalado un disyuntor o un fusible protector cuya capacidad eléctrica supere la intensidad nominal del modelo del secamanos, como se indica en la Tabla 1: Especificaciones del sistema eléctrico, de acuerdo con los códigos eléctricos locales tales como el Código Eléctrico Nacional (NEC) y el Código Eléctrico Canadiense (CEC).
- Para evitar el peligro de reconectar accidentalmente el interruptor térmico, el secamanos no debe alimentarse a través de un dispositivo conmutador externo como, por ejemplo, un temporizador, ni conectarse a un circuito que la empresa de servicio eléctrico cierre o abra regularmente.
- Todo secamanos de modelo automático debe tener un circuito especial.
- Tienda todo el cableado durante la instalación separándolo de todas las piezas móviles del interior del secamanos.
- Use acoplamientos con superficies lisas y redondeadas para la protección de los cables de suministro eléctrico de acuerdo con los códigos eléctricos locales tales como el Código Eléctrico Nacional (NEC) y el Código Eléctrico Canadiense (CEC).

 **ATENCIÓN** El montaje incorrecto puede ocasionar lesiones corporales o daños materiales.

- Cumpla con las alturas de montaje recomendadas en la Tabla 2.
- En una pared de entramado, se debe montar un lado del secamanos en un parante existente.

# Desembalaje

1. Retire todos los materiales de embalaje. Se recomienda reciclar los materiales.
2. Extraiga cuidadosamente el secamanos de la caja de envío, sin dejar caer el aparato.
3. Inspeccione el producto cuidadosamente para verificar si se han producido daños durante el transporte. Revise para verificar si hay piezas sueltas, que falten o estén dañadas. Si el secamanos está dañado, informe inmediatamente al concesionario donde compró el secamanos.

# Instalación

1. Desconecte el suministro eléctrico.
2. Siguiendo las alturas de montaje recomendadas en la Tabla 2, seleccione un lugar donde montar el secamanos que no tenga superficies ni objetos reflectantes (p. ej., un lavamanos) directamente debajo del sensor de rayos infrarrojos. La célula fotoeléctrica infrarroja es visible desde la parte inferior del secamanos. La separación de montaje mínima entre la parte inferior del secador y cualquier superficie reflectante es 46 cm (18 pulg.). Cuando se instalan dos o más secadores, deben separarse al menos 61 cm (24 pulg.). No coloque el secamanos donde pueda estar expuesto directamente a la luz natural (luz solar).
3. Utilice la llave hexagonal de seguridad que se proporciona para girar los tornillos de montaje de la cubierta **hacia la derecha**, y separarla del secamanos.
4. Utilice la plantilla proporcionada para marcar la ubicación de los agujeros de los tornillos de montaje en la pared. Para paredes de entramado, asegúrese de fijar al menos un punto de sujeción a un parante.
5. Sujete la base a la pared mediante el tipo de pernos recomendado en la Tabla 3.
6. Cada secamanos debe tener su propio circuito especial.
7. Conecte el secamanos al tablero de distribución adecuado más cercano.
8. Coloque nuevamente la cubierta, gire los tornillos **hacia la izquierda** y asegúrese de no apretarlos demasiado.

**IMPORTANTE: Consulte los reglamentos locales y generales antes de realizar la instalación del secamanos. Asegúrese de que la red eléctrica no esté sobrecargada. Conecte siempre a un ramal que tenga instalado un disyuntor o un fusible protector cuya capacidad eléctrica supere la intensidad nominal del modelo del secamanos, como se indica en la Tabla 1: Especificaciones del sistema eléctrico, de acuerdo con los códigos eléctricos requeridos tales como el Código Eléctrico Nacional (NEC) y el Código Eléctrico Canadiense (CEC).**

**Tabla 2**

Alturas de montaje recomendadas desde el suelo hasta la parte inferior del secamanos	cm (pulg.)
Baños de hombres	117 (46)
Baños de mujeres	112 (44)
Baños de niños, 4 a 7 años de edad	81 (32)
Baños de niños, 7 a 10 años de edad	91 (36)
Baños de niños, 10 a 13 años de edad	102 (40)
Baños de niños, 13 a 17 años de edad	112 (44)
Altura de montaje para discapacitados	94 (37)

**Tabla 3**

Tipo de pared	Tipo de perno	Longitud mínima del perno
Baldosa hueca, malla, pared de yeso o metal	Pernos acodillados roscados (M6) o de palomilla de 1/4 pulg.	Depende del grosor de la pared
Cemento, ladrillo, o cemento o ladrillo recubiertos con baldosas	Pernos de expansión de tipo parante (M6) de 1/4 pulg.	76 mm (3 pulg.)
Pared de entramado con refuerzo de madera	Tornillos para madera (M8) número 16	70 mm (2 3/4 pulg.)

# Ajuste de velocidad del ventilador

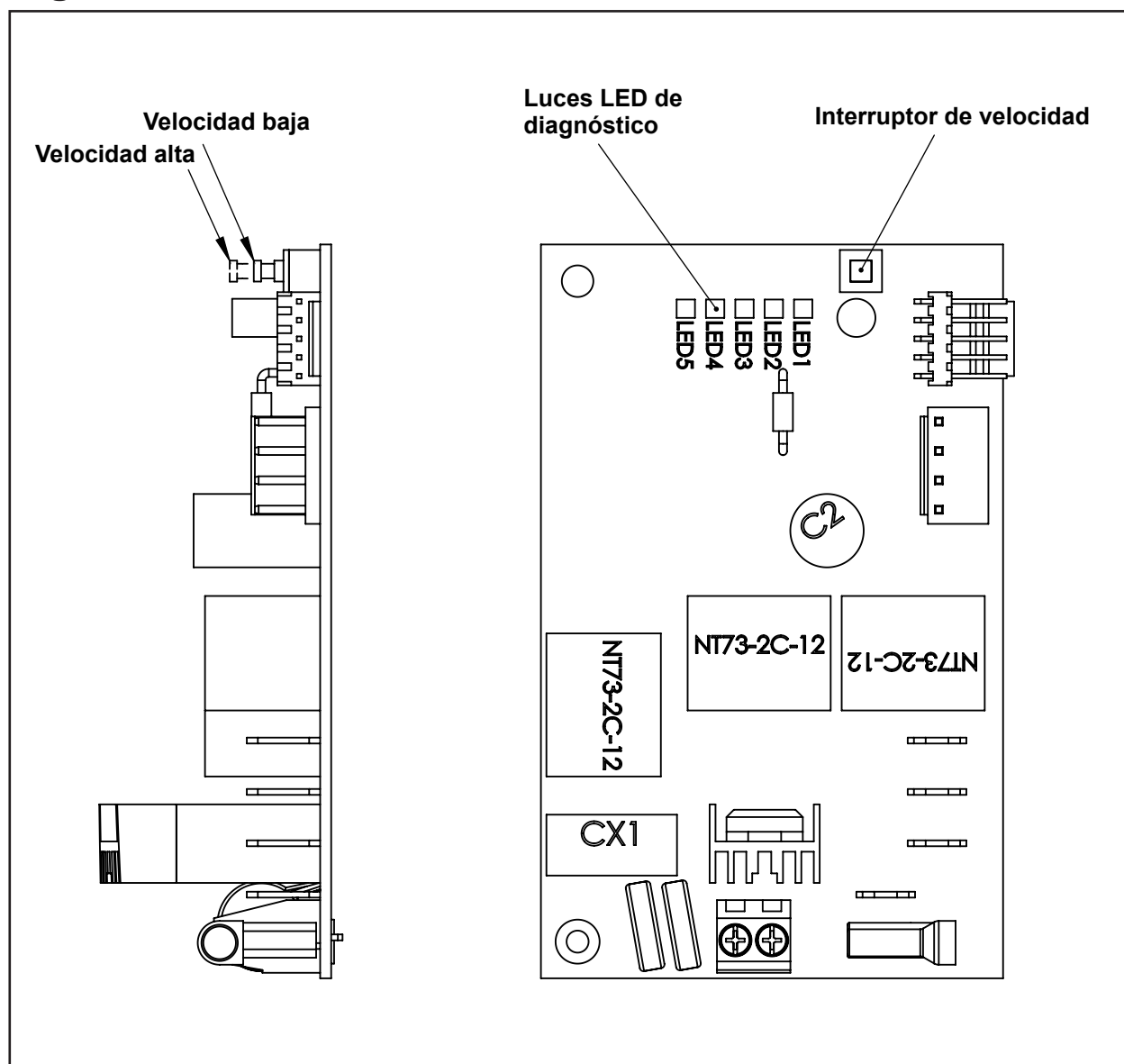
Estos modelos incluyen un control de velocidad del ventilador ajustable para (2) niveles de operación - Alto y Bajo. El interruptor se encuentra en la placa de circuitos impreso dentro del secamanos, mostrado en la figura 1 a continuación.

**Aviso: La configuración inicial de fábrica del control de velocidad del ventilador es “Alto”.**

Para ajustar la velocidad del ventilador:

1. Desconecte el suministro eléctrico.
2. Utilice la llave hexagonal de seguridad que se proporciona para girar los tornillos de montaje de la cubierta **hacia la derecha**, y separarla del secamanos.
3. Localice el interruptor del tablero de circuitos impresos dentro del secamanos como se muestra en la figura 1 a continuación, y ajuste la velocidad del ventilador según se desee. (Aviso: Cuando se selecciona la velocidad “Baja”, la luz LED 4 del tablero de circuitos impresos se encenderá de color “azul”).  
Instale nuevamente la cubierta del secamanos, usando la llave hexagonal de seguridad suministrada para girar los tornillos de montaje de la cubierta hacia la izquierda y apriételos hasta que estén bien ajustados. No apriete demasiado.
4. Vuelva a conectar el suministro eléctrico.

**Figura 1**



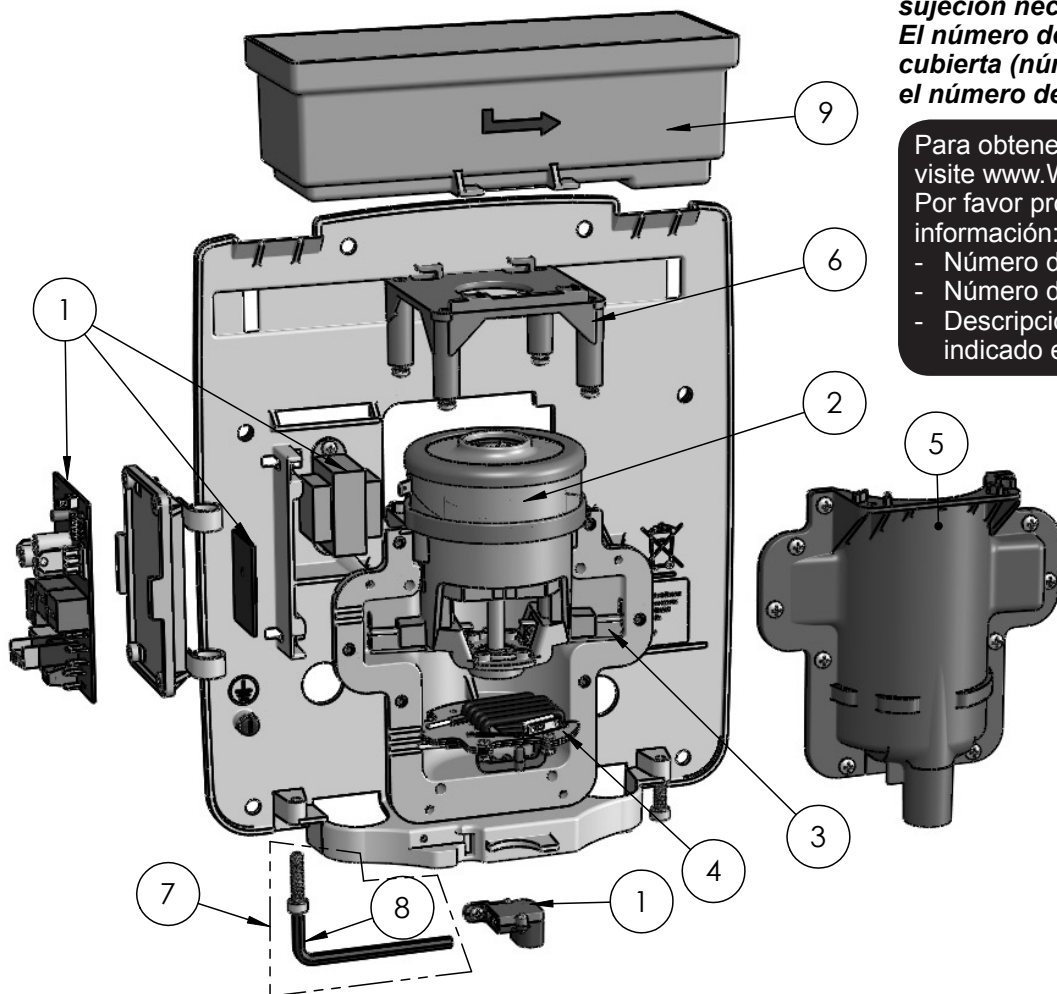
# Lista de piezas

## Lista de repuestos del secamanos VERDEdri™

*Todos los juegos incluyen elementos de sujeción necesarios para la instalación. El número de pieza para el conjunto de la cubierta (número de referencia 7) varía con el número de modelo del secamanos.*

Para obtener información sobre repuestos, visite [www.WorldDryer.com](http://www.WorldDryer.com)  
 Por favor proporcione la siguiente información:

- Número de modelo
- Número de serie
- Descripción de la pieza y número indicado en la lista de piezas



N.º	Descripción	Número de pieza
1	Juego de controles del secamanos con sensor y transformador	16-10283K
2	Juego de motor	32-10268K
3	Juego de escobillas de repuesto del motor	32-10337K
4	Juego de elemento calefactor	21-10306K
5	Juego de cámara delantera – con sello	47-10270K
6	Juego de tapa del motor	47-10297K
7 (No se muestra)	Conjunto de cubierta – Aluminio – Blanca	20-Q974
	Conjunto de cubierta – Aluminio – Negra	20-Q162
	Conjunto de cubierta – Aluminio – Acero inoxidable pulido	20-Q972
	Conjunto de cubierta – Aluminio – Acero inoxidable bruñido	20-Q973
7	Juego de tornillos de seguridad (incluye llave)	46-040221K
8	Llave de seguridad	56-40189
9	Filtro HEPA (para modelos con filtro HEPA)	93-10292
10	Filtro de partículas gruesas (para modelos sin filtro HEPA) (no se muestra)	93-10331

## Instrucciones de mantenimiento y limpieza

**IMPORTANTE:** El secador puede acumular pelusas y residuos que suelen estar presentes en el aire. La acumulación excesiva de pelusa y residuos puede dañar el motor y el elemento calefactor. El secador se debe limpiar de forma periódica para mantenerlo en buenas condiciones de funcionamiento. En baños con un volumen de tráfico ligero a moderado se recomienda limpiarlo una vez al año. Si el volumen de tráfico del baño es alto, se recomienda limpiarlo cada seis meses.

Para limpiar el lavamanos:

1. Desconecte el suministro eléctrico.
2. Utilice la llave hexagonal de seguridad que se proporciona para girar los tornillos de montaje de la cubierta **hacia la derecha**, y separarla del secamanos.
3. Utilice una brocha de cerdas suaves intermedias para limpiar la pelusa, el polvo y los residuos de las ranuras de entrada de aire y del exterior del motor.
4. Después de la limpieza, vuelva a montar la cubierta del secador valiéndose de la llave hexagonal de seguridad que se proporciona para girar los tornillos de montaje de la cubierta **hacia la izquierda**, y apriete hasta fijarla. No apriete demasiado.

### Reemplazo del filtro HEPA (para modelos que incluyen filtros HEPA)

Su modelo específico puede incluir un filtro de absorción de partículas de alta eficiencia (HEPA) para eliminar un mínimo del 99,97% de los contaminantes de 0,3 micras de tamaño o más grandes.

La vida útil de un filtro HEPA depende del entorno en el que está instalado y la frecuencia de uso del secador. Los lavabos con un alto volumen de tráfico o uso requerirán inspeccionar y reemplazar el filtro HEPA con mayor frecuencia. El filtro HEPA debe ser inspeccionado por lo menos cuatro veces al año en los baños con un volumen de tráfico ligero a moderado y en entornos normales. En entornos con una cantidad excesiva de polvo y residuos o en lavabos con un alto volumen de tráfico, se recomienda la inspección del filtro HEPA mensualmente. Cuando la inspección visual del filtro HEPA muestre la acumulación excesiva de pelusa, polvo y residuos, se debe reemplazar el filtro.

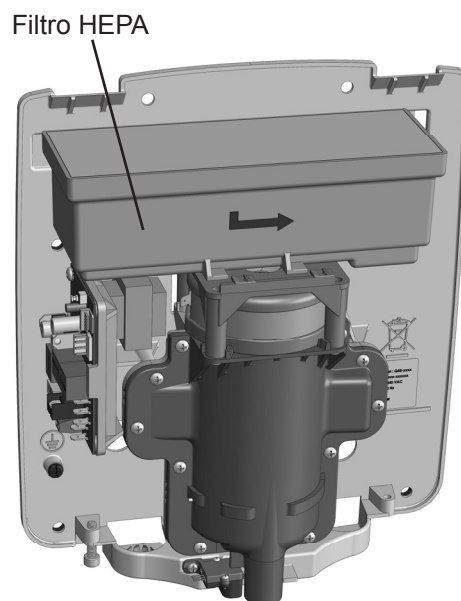
La inspección y reemplazo periódicos del filtro HEPA mantiene el funcionamiento eficiente de los secamanos. Operar un secamanos con un filtro excesivamente sucio u obstruido puede dañar la máquina.

El filtro HEPA no se puede limpiar ni reutilizar. No limpie el filtro HEPA, ni permita que entre en contacto con el agua.

Para reemplazar o limpiar el filtro HEPA:

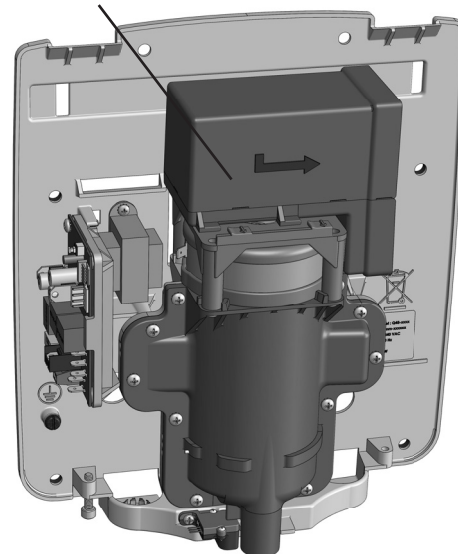
1. Desconecte el suministro eléctrico.
2. Utilice la llave hexagonal de seguridad que se proporciona para girar los tornillos de montaje de la cubierta **hacia la derecha**, y separarla del secamanos.
3. Para extraer y reemplazar el filtro HEPA fácilmente deslícelo por su carril de montaje de la tapa del motor.
4. Después reemplazar el filtro HEPA, vuelva a montar la cubierta del secador valiéndose de la llave hexagonal de seguridad que se proporciona para girar los tornillos de montaje de la cubierta **hacia la izquierda**, y apriete hasta fijarla. No apriete demasiado.
5. Vuelva a conectar el suministro eléctrico.

**Figura 2**



**Modelos con filtro HEPA**

Filtros de partículas gruesas



**Modelos que no incluyen filtros HEPA**

## Filtros de partículas gruesas (para los modelos que no incluyen filtros HEPA)

El secamanos incluye un filtro de aire de partículas gruesas para evitar la acumulación de pelusa y restos de materiales que podrían averiar el motor y el elemento calefactor. Es necesario limpiar o reemplazar el filtro de aire de manera rutinaria para mantener el secamanos en buenas condiciones de funcionamiento. Si el uso del baño es leve o moderado, se recomienda reemplazar o limpiar el filtro de aire una vez al año. Si el uso del baño es intenso, se recomienda reemplazar o limpiar el filtro de aire cada 6 meses. Lea todas las instrucciones antes de proceder.

Para reemplazar o limpiar el filtro de aire de partículas gruesas:

1. Desconecte el suministro eléctrico.
2. Utilice la llave hexagonal de seguridad que se proporciona para girar los tornillos de montaje de la cubierta **hacia la derecha**, y separarla del secamanos.
3. Se puede extraer y volver a colocar fácilmente el filtro de aire tirando ligeramente de él para sacarlo de la carcasa.
4. Para limpiar el filtro de aire de partículas gruesas, sáquelo de la carcasa del filtro. Elimine la pelusa, el polvo y los restos de materiales del filtro con una brocha con cerdas de rigidez suave-intermedia de 1,3 cm. Si no puede eliminar todos los restos de materiales del filtro, reemplácelo.
5. Después de volver a colocar el filtro en su carcasa, vuelva a montar la cubierta del secador valiéndose de la llave hexagonal de seguridad que se proporciona para girar los tornillos de montaje de la cubierta **hacia la izquierda**, y apriete hasta fijarla. No apriete demasiado.
6. Vuelva a conectar el suministro eléctrico.

## Luces LED de diagnóstico

El tablero de circuitos impresos incluye un conjunto de luces LED que indica el estado de funcionamiento del secamanos. Al comunicarse con el servicio técnico de World Dryer, esté preparado para retirar la cubierta del secamanos e indicarnos el estado de las luces LED, ya que pueden ser útiles para solucionar problemas de funcionamiento. Consulte la figura 1 para ver la ubicación de las luces LED de diagnóstico en el tablero de circuitos impresos. Consulte la Tabla 4 para leer una explicación de la función de los LED.

## Función de las luces LED de diagnóstico

**Tabla 4**

Actividad del sensor IR	Velocidad del secamanos	Voltaje de suministro detectado			Indicación
		LED 3	LED 2	LED 1	
LED 5	LED 4	LED 3	LED 2	LED 1	
		Intermitente	Intermitente	Intermitente	El voltaje del suministro eléctrico es inferior a 100 V o superior a 255 V
		APAGADA	APAGADA	Roja	El voltaje del suministro eléctrico es de 110 a 120 V
		APAGADA	Amarilla	APAGADA	El voltaje del suministro eléctrico es de 208 V
		Verde clara	APAGADA	APAGADA	El voltaje del suministro eléctrico es de 240 V
	Azul				La velocidad del motor está en el nivel de velocidad baja
Verde (luz continua)					El sensor de IR detecta manos o algún objeto en la zona del sensor
Verde intermitente					En la modalidad de "bloqueo" antivandalismo (compruebe si hay alguna obstrucción en el sensor)

## Tabla de identificación de problemas

El secador no arranca.	Entrada del suministro eléctrico	Retire la cubierta y compruebe las luces LED de diagnóstico. Si no hay encendida ninguna luz LED, revise el suministro eléctrico en el interruptor del disyuntor/fusible.
	PCB defectuoso	Si no hay encendida ninguna luz LED, y se ha confirmado que el circuito de suministro eléctrico está activo, reemplace el PCB y el transformador.
	Sensor obstruido	Si se enciende la luz LED 5 de forma continua o intermitente (verde) <b>sin poner las manos debajo del sensor</b> , asegúrese de que no haya ningún objeto extraño o suciedad en la lente del sensor. Limpie la lente con un trapo suave y húmedo, y un producto de limpieza suave.
	Fallo en el funcionamiento del sensor	Si la luz LED 5 no se enciende al poner las manos debajo de sensor, reemplace el PCB y el sensor.
	Escobillas del motor al final de su vida útil	Revise las escobillas del motor y reemplácelas si es necesario.
	Elemento calefactor defectuoso ( <b>Importante:</b> Sólo se aplica cuando se conecta a un suministro eléctrico de 208 – 240V)	Si el secamano está conectado a un suministro eléctrico de 208 a 240 V y se han revisado todas las demás posibles causas, reemplace el elemento calefactor.
El secamano hace demasiado ruido.	Ajuste de velocidad del secamano	Ajuste la velocidad del secamano a "Baja". Consulte la página 4. Cuando funciona a velocidad baja, la luz LED 4 se encenderá (azul) al poner las manos debajo del sensor.
La temperatura del aire es demasiado fría. La función de calentamiento del secamano fluctúa / se enciende y se apaga durante un ciclo de secado. La velocidad del secamano fluctúa / sube y baja durante un ciclo de secado.	Elemento calefactor defectuoso ( <b>Importante:</b> Sólo se aplica cuando se conecta a un suministro eléctrico de 120 V)	Reemplace el elemento calefactor.
El secamano funcionará solamente durante varios segundos y a continuación se parará. El secamano no se activa todas las veces. Ruido de formación de un arco eléctrico durante el funcionamiento. Olor extraño (ozono) durante el funcionamiento.	Escobillas del motor al final de su vida útil	Revise las escobillas del motor y reemplácelas si es necesario.
	Elemento calefactor defectuoso ( <b>Importante:</b> Sólo se aplica cuando se conecta a un suministro eléctrico de 208 a 240 V)	Reemplace el elemento calefactor.

## Garantía limitada

**GARANTÍA LIMITADA DE CINCO AÑOS DE WORLD.** El secamano World Warm Air, modelo descrito en este manual, está garantizado por World Dryer Corporation contra defectos de mano de obra o materiales en condiciones de uso normal durante 5 años a partir de la fecha de compra, excluyendo el desgaste normal y los artículos fungibles como los filtros HEPA, las escobillas del motor, etc. Cualquier pieza que se halle defectuosa, ya sea en el material o en la mano de obra, y sea devuelta, con los costos de envío pagados por adelantado, será reparada o reemplazada a discreción de World como recurso exclusivo. Para obtener información relacionada con los procedimientos de reclamación provistos por la garantía limitada, consulte más adelante la sección ATENCIÓN OPORTUNA. Esta garantía limitada confiere al comprador derechos específicos que varían de una jurisdicción a otra.

**LÍMITES DE RESPONSABILIDAD.** En la medida en que las leyes correspondientes lo permitan, se excluye expresamente la responsabilidad de World Dryer por daños indirectos o menores. La responsabilidad de World Dryer se limita al precio de compra pagado, el cual no se sobrepasará.

**EXCLUSIÓN DE RESPONSABILIDAD DE LA GARANTÍA.** World Dryer se ha esforzado diligentemente en proporcionar a través de este manual información e ilustraciones referentes al producto; sin embargo, esta información y estas ilustraciones tienen como único fin la identificación del producto, y no expresan ni implican garantía de que los productos sean COMERCIALES ni IDÓNEOS PARA UN FIN EN PARTICULAR, ni que se ajusten necesariamente a las ilustraciones o descripciones. Con excepción de lo que se establece a continuación, World Dryer no hace ni autoriza ninguna garantía ni afirmación de hecho, explícita o implícita, que no se estipule en la "GARANTÍA LIMITADA" anterior.

**IDONEIDAD DEL PRODUCTO.** Muchas jurisdicciones tienen códigos o reglamentos sobre la venta, el diseño, la instalación y el uso de productos para ciertas aplicaciones; dichas leyes pueden variar de una zona a otra. Si bien World trata que los productos cumplan con estos códigos, no puede garantizar su cumplimiento ni puede hacerse responsable de la forma en que se instale o utilice el producto. Antes de comprar y utilizar el producto, revise su aplicación y todos los códigos y reglamentos nacionales y locales correspondientes, y asegúrese de que el producto, la instalación y el uso cumplan con ellos.

Ciertos aspectos de las limitaciones de responsabilidad no se aplican a los productos de consumo; es decir (a) algunas jurisdicciones no permiten la exclusión o limitación de daños menores o indirectos, por lo cual la limitación o exclusión anterior quizás no se aplique en su caso; (b) asimismo, algunas jurisdicciones no permiten limitar el plazo de las garantías implícitas, por lo cual la limitación anterior quizás no se aplique en su caso; y (c) por ley, mientras estén vigentes, no pueden excluirse ni de ninguna otra manera denegarse la Garantía Limitada ni las garantías implícitas de comerciabilidad o idoneidad para un cierto fin que correspondan a los productos de consumo adquiridos por los consumidores.

Fabricado por World Dryer Corporation, Berkeley, Illinois 60163 EE.UU.

**ATENCIÓN OPORTUNA.** World Dryer hará un esfuerzo de buena fe para corregir oportunamente o hacer otros ajustes relacionados con cualquier producto que resulte defectuoso dentro de los términos de esta garantía limitada. En el caso de que encuentre un producto defectuoso y que esté cubierto dentro de los límites de esta garantía haga el favor de escribir primero, o llame, al distribuidor donde compró el producto. El distribuidor le dará instrucciones adicionales. Si no logra resolver el problema de forma satisfactoria, escriba a World a la siguiente dirección, y proporcione el nombre y la dirección del distribuidor así como la fecha y el número de su factura, y describa la naturaleza del defecto. La propiedad del artículo y el riesgo de pérdida pasan al comprador en el momento de la entrega del artículo a la compañía de transporte. Si el producto se daña durante el transporte, debe presentar su reclamación a la compañía transportista.

## Description

Le sèche-mains à air chaud World Dryer monté en surface est conforme aux normes de l'ADA (American Disabilities Act) et est alimenté par un moteur universel avec balais offrant une puissance maximale de séchage de 950 watts. Ces modèles fonctionnent à des tensions de 115 à 230 V c.a., incluent un élément chauffant, une commande de réglage de vitesse de la soufflerie et un capteur infrarouge pour une activation automatique. Votre modèle spécifique pourra inclure un filtre HEPA pour éliminer au minimum 99,97 % des contaminants de 0,3 micron et plus. Ce sèche-mains est conçu pour être utilisé dans les établissements commerciaux, industriels, publics et dans les bureaux.


## Caractéristiques électriques

Tableau 1


Modèles	Type	Valeurs électriques nominales	Homologations
Q-XXXXX	Automatique	115/208/230 V c.a. 950 W 50/60 Hz	cETLus, CE, IP24

## Consignes générales de sécurité

Cet appareil n'est pas prévu pour une utilisation par de jeunes enfants ou des personnes avec des incapacités physiques, sensorielles ou mentales sauf s'ils sont correctement supervisés par quelqu'un de responsable permettant de garantir l'utilisation sans danger de l'appareil. Les jeunes enfants doivent être supervisés pour garantir qu'ils ne joueront pas avec l'appareil.


 **DANGER** Négliger de débrancher la source d'alimentation avant de procéder à l'installation ou à l'entretien peut entraîner des blessures graves ou mortelles provoquées par une décharge électrique.

- Toujours débrancher la source d'alimentation avant de réparer ou d'installer le sèche-mains.


 **DANGER** Brancher cet appareil à la terre sous peine de décharge électrique grave et/ou de mort.

- Pour un fonctionnement sans danger, ce sèche-mains doit être correctement mis à la terre. Un point de mise à la terre est identifié sur la base murale du sèche-mains.

- Une protection GFCI est recommandée aux endroits mouillés ou humides ou selon les exigences du code local.

 **AVERTISSEMENT** Un risque d'incendie, de blessures ou de dommages matériels est possible en cas de non-respect des codes locaux en vigueur ou des recommandations de sécurité.

- L'installation et la maintenance doivent uniquement être réalisées par des électriciens qualifiés.
- N'utiliser que le type d'alimentation électrique (tension et fréquence) spécifié pour le modèle de sèche-mains en cours d'installation. Consulter le tableau 1 – Caractéristiques électriques.
- Brancher le sèche-mains sur le panneau de distribution électrique adapté le plus proche. Le câblage fixe doit inclure un moyen de débranchement conforme aux codes de câblage locaux.
- Pour limiter les chutes de tension et garantir un fonctionnement efficace, utiliser un fil de calibre n° 14 AWG ou plus, selon les exigences des codes électriques locaux.
- Toujours raccorder l'appareil à un circuit de dérivation protégé par un disjoncteur ou un fusible aux caractéristiques nominales supérieures à l'intensité nominale du modèle de sèche-mains indiquée au Tableau 1 – Caractéristiques électriques, conformément aux codes électriques locaux tels que NEC (National Electrical Code) et/ou au Code Canadien de l'électricité (CCE).
- Pour éviter tout danger dû au réarmement inopiné du thermorupteur, le sèche-mains ne doit pas être alimenté via un dispositif de commutation externe - minuterie ou branchement sur un circuit régulièrement mis sous et hors tension par le fournisseur d'électricité, par exemple.
- Chaque modèle automatique de sèche-mains doit avoir son propre circuit réservé.
- Éloigner tout le câblage des composants en mouvement à l'intérieur du sèche-mains.
- Utiliser des raccords avec les surfaces lisses et arrondies pour la protection des câbles d'alimentation, comme l'exigent les codes électriques locaux tels que le NEC (National Electrical Code) et/ou le Code Canadien de l'électricité (CCE).

 **ATTENTION** Un montage incorrect peut provoquer des blessures personnelles ou des dommages matériels.

- Suivre les recommandations de hauteur de montage au tableau 2.
- Sur un mur à poteaux d'ossature, un côté du sèche-mains doit être monté sur un poteau existant.



## Déballage

1. Enlever tous les produits d'emballage. Il est recommandé de les recycler.
2. Sortir le sèche-mains de la boîte avec précaution, en veillant à ne pas le faire tomber.
3. Vérifier soigneusement qu'aucun dommage n'est survenu durant le transport. Examiner les pièces pour vérifier si certaines sont desserrées, manquantes ou endommagées. Si le sèche-mains est endommagé, en informer au plus vite le marchand où vous l'avez acheté.

## Installation

1. Débrancher de l'alimentation.
2. En se reportant au tableau 2 pour déterminer la hauteur de montage recommandée, sélectionner un lieu de montage pour le sèche-mains en veillant à ce qu'il n'y ait aucune surface ou aucun objet réfléchissant (lavabo, par exemple) juste en dessous du capteur infrarouge. Le capteur infrarouge est visible en dessous du sèche-mains. La distance minimum de montage à partir du dessous du sèche-mains jusqu'à une surface réfléchissante est de 46 cm (18 po). Lorsque deux sèche-mains minimum sont installés, ils doivent être espacés de 61 cm (24 po) minimum. Éviter de placer le sèche-mains à un endroit où il risque d'être directement exposé à la lumière naturelle (solaire).
3. Utiliser la clé à six pans fournie pour tourner les vis de fixation du couvercle **dans le sens horaire** afin d'enlever le couvercle du sèche-mains.
4. En utilisant le gabarit de montage fourni, marquer la position des trous pour les boulons de montage sur le mur. Pour des murs à poteaux, s'assurer qu'au moins un point d'attache est fixé sur un poteau.
5. Fixer la base sur le mur, en utilisant le type de boulons recommandé au tableau 3.
6. Chaque sèche-mains doit avoir son propre circuit réservé.
7. Brancher le sèche-mains sur le panneau de distribution électrique adapté le plus proche.
8. Remettre le couvercle en place, tourner les vis **dans le sens anti-horaire** en veillant à ne pas trop serrer.

**IMPORTANT : Consulter les réglementations locales et générales avant d'installer le sèche-mains. S'assurer que le réseau électrique n'est pas surchargé. Toujours raccorder l'appareil à un circuit de dérivation protégé par un disjoncteur ou un fusible aux caractéristiques nominales supérieures à l'intensité nominale du modèle de sèche-mains indiquée au Tableau 1 – Caractéristiques électriques, conformément aux codes électriques locaux tels que NEC (National Electrical Code) et/ou au Code Canadien de l'électricité (CCE).**

### Tableau 2

Hauteurs de montage recommandées entre le plancher et le bord inférieur du sèche-mains	cm (po)
Toilettes pour hommes	117 (46)
Toilettes pour femmes	112 (44)
Toilettes pour enfants de 4 à 7 ans	81 (32)
Toilettes pour enfants de 7 à 10 ans	91 (36)
Toilettes pour enfants de 10 à 13 ans	102 (40)
Toilettes pour enfants de 13 à 17 ans	112 (44)
Hauteur de montage pour les personnes handicapées	94 (37)

### Tableau 3

Type de mur	Type de boulon	Longueur de boulon minimum
Parpaing creux, lattis, panneau mural ou métal	Boulons type à vis M6 (1/4 po) ou boulons à ailettes	Selon l'épaisseur du mur
Ciment, brique ou ciment ou brique carrelés	Boulons à coquille d'expansion du type à goujon M6 (1/4 po)	76 mm (3 po)
Mur à poteaux avec fond de clouage en bois	Vis à bois n° 16 (M8)	70 mm (2 3/4 po)

# Réglage de la vitesse de la soufflerie

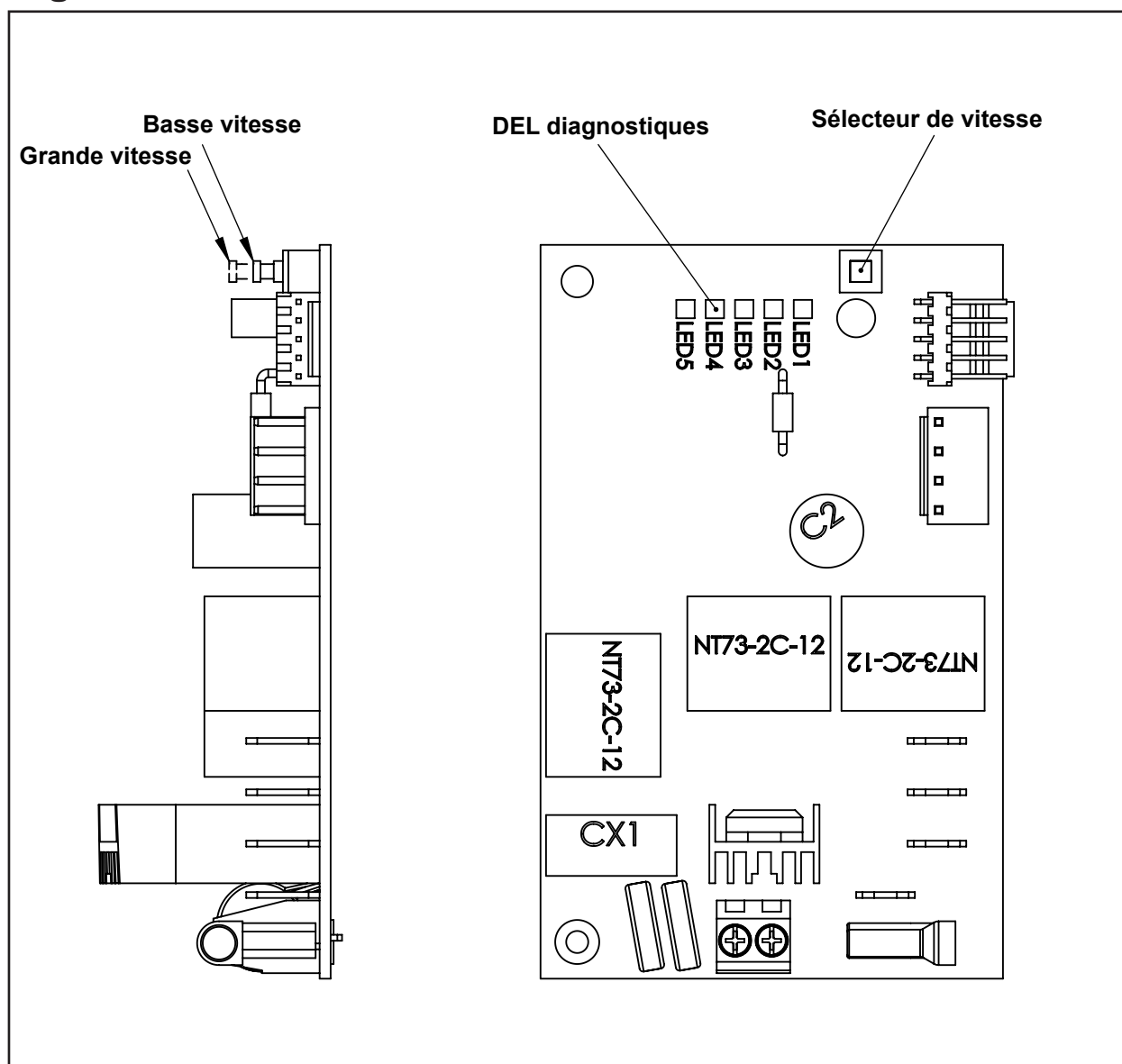
Ces modèles incluent une commande de réglage de vitesse de soufflerie pour (2) niveaux de fonctionnement – grande vitesse (Hi) et basse vitesse (Low). Le sélecteur se trouve sur la carte de circuits imprimés dans le sèche-main, comme illustré à la figure 1 ci-dessous.

**Remarque : Le réglage usine pour la commande de réglage de vitesse de soufflerie est « Hi ».**

Pour régler la vitesse de la soufflerie :

1. Débrancher de l'alimentation.
  2. Utiliser la clé à six pans fournie pour tourner les vis de fixation du couvercle **dans le sens horaire** afin d'enlever le couvercle du sèche-mains.
  3. Situer le sélecteur sur la carte de circuits imprimés à l'intérieur du sèche-mains comme illustré à la figure 1 ci-dessous et ajuster la vitesse de la soufflerie comme souhaité. (Remarque : Lorsque le réglage Low est sélectionné, la DEL 4 sur la carte de circuits imprimés s'allume en « bleu »).
- Remonter le couvercle du sèche-mains à l'aide de la clé à six pans fournie pour tourner les vis de montage du couvercle **dans le sens anti-horaire** et bien serrer. Ne pas trop serrer.
4. Rebrancher sur l'alimentation.

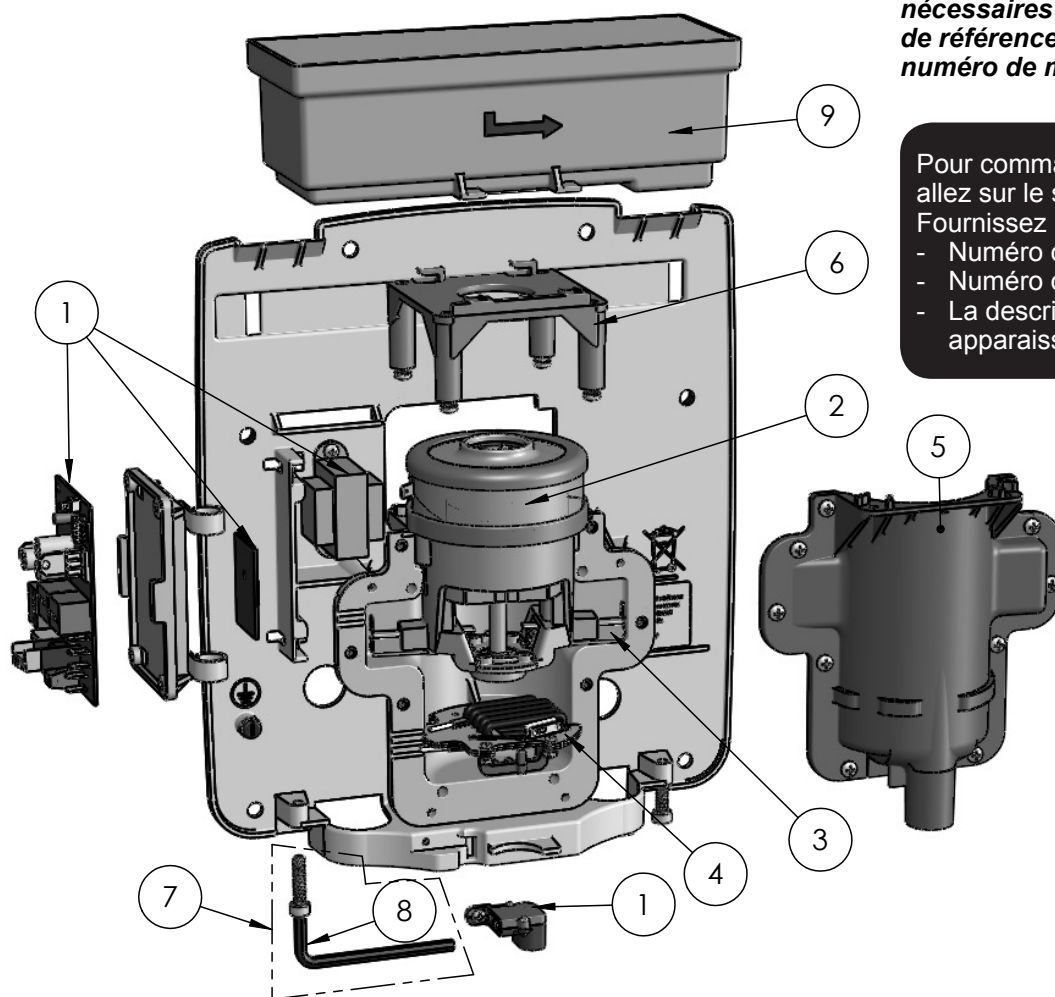
**Figure 1**



# Liste des pièces

## Liste des pièces détachées du sèche-mains VERDEdri™

Tous les ensembles incluent les attaches nécessaires pour l'installation. Le numéro de référence du couvercle (7) varie selon le numéro de modèle du sèche-mains.



Pour commander les pièces détachées, allez sur le site [www.WorldDryer.com](http://www.WorldDryer.com)  
Fournissez les renseignements suivants :

- Numéro de modèle
- Numéro de série
- La description et le numéro de pièce apparaissent dans la liste des pièces

Légende	Description	Numéro de référence
1	Ensemble, commandes de sèche-mains avec capteur et transformateur	16-10283K
2	Ensemble, moteur	32-10268K
3	Ensemble, balais de moteur de recharge	32-10337K
4	Ensemble, élément chauffant	21-10306K
5	Ensemble, caisson de mélange avant – avec joint	47-10270K
6	Ensemble, chapeau du moteur	47-10297K
7 (non illustré)	Couvercle - Aluminium - Blanc	20-Q974
	Couvercle - Aluminium - Noir	20-Q162
	Couvercle - Aluminium - Inox brillant	20-Q972
	Couvercle - Aluminium - Inox brossé	20-Q973
7	Ensemble, vis de sécurité (inclut une clé)	46-040221K
8	Clé, sécurité	56-40189
9	Filtre, HEPA (pour les modèles à filtre HEPA)	93-10292
10	Filtre, grosses particules (pour les modèles sans filtre HEPA) (non illustré)	93-10331

# Instructions d'entretien et de nettoyage

**IMPORTANT : Le sèche-mains peut collecter peluches et débris qui sont naturellement présents dans l'air. L'accumulation excessive de peluches et de débris risque d'endommager le moteur et l'élément chauffant. Pour continuer à bien fonctionner, le sèche-mains doit être régulièrement nettoyé. En se basant sur une fréquentation légère à moyenne des lieux, un nettoyage annuel est recommandé. Si la fréquentation est plus importante, un nettoyage tous les 6 mois est recommandé.**

Pour nettoyer le sèche-mains :

1. Débrancher de l'alimentation.
2. Utiliser la clé à six pans de sécurité fournie pour tourner les vis de fixation du couvercle **dans le sens horaire** afin d'enlever le couvercle du sèche-mains.
3. Utiliser un pinceau à soies douces-moyennes pour nettoyer les peluches, la poussière et les débris des bouches d'arrivée d'air et l'extérieur du moteur.
4. Après nettoyage, remonter le couvercle du sèche-mains à l'aide de la clé à six pans fournie pour tourner les vis de montage du couvercle **dans le sens anti-horaire** et bien serrer. Ne pas trop serrer.

**Figure 2**

## Remplacement du filtre HEPA (pour les modèles à filtre HEPA)

Votre modèle spécifique pourra inclure un filtre HEPA pour éliminer au minimum 99,97 % des contaminants de 0,3 micron et plus.

La durée utile d'un filtre HEPA dépend de l'environnement dans lequel le sèche-mains est installé et de sa fréquence d'utilisation. Les toilettes très fréquentées exigeront l'inspection et le remplacement plus fréquents du filtre HEPA. Le filtre HEPA doit être inspecté au moins quatre fois par an dans les toilettes à faible et à moyenne fréquentation et les environnements normaux. Dans les environnements très poussiéreux et sales ou dans les toilettes très fréquentées, une inspection mensuelle du filtre HEPA est recommandée. Lorsque l'inspection visuelle du filtre HEPA indique une accumulation excessive de peluches, poussières et débris, remplacer le filtre.

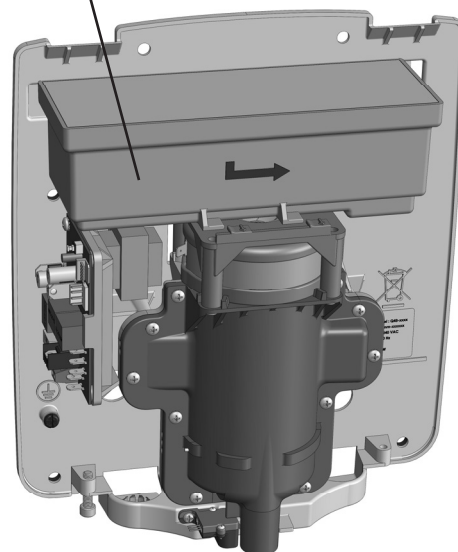
L'examen et le remplacement réguliers du filtre HEPA permet de maintenir le fonctionnement efficace du sèche-mains. L'utilisation d'un sèche-mains avec un filtre excessivement sale ou bouché risque d'endommager l'appareil.

Le filtre HEPA ne peut pas être nettoyé et réutilisé. Ne pas nettoyer le filtre HEPA ni le laisser entrer en contact avec de l'eau.

Pour inspecter ou remplacer le filtre HEPA :

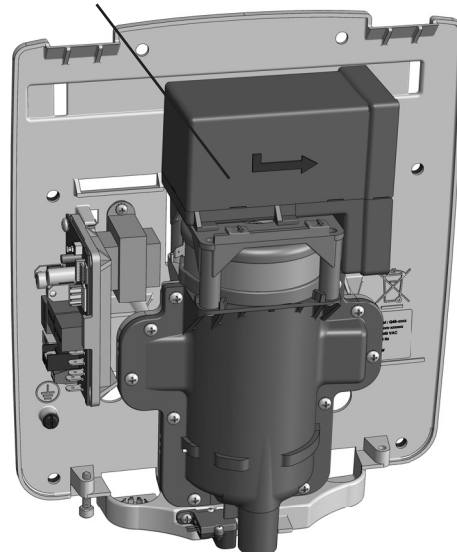
1. Débrancher de l'alimentation.
2. Utiliser la clé à six pans de sécurité fournie pour tourner les vis de fixation du couvercle **dans le sens horaire** afin d'enlever le couvercle du sèche-mains.
3. La dépose et le remplacement du filtre HEPA s'effectue facilement en glissant le filtre dans son rail de montage sur le chapeau du moteur.
4. Après avoir remplacé le filtre à air, remonter le couvercle du sèche-mains à l'aide de la clé à six pans fournie pour tourner les vis de montage du couvercle **dans le sens anti-horaire** et bien serrer. Ne pas trop serrer.
5. Rebrancher sur l'alimentation.

Filtre HEPA



**Modèles à filtre HEPA**

Filtre à grosses particules



**Modèles sans filtre HEPA**

## Filtre à grosses particules (pour les modèles sans filtre HEPA)

Le sèche-mains a un filtre à grosses particules pour empêcher l'accumulation de peluches et de débris susceptibles d'endommager le moteur et l'élément chauffant. Le remplacement ou le nettoyage régulier du filtre à air est nécessaire pour maintenir le sèche-mains en bon état de fonctionnement. Avec une fréquentation légère à modérée des lieux, un remplacement ou un nettoyage annuel est recommandé. Avec une plus forte fréquentation, le filtre à air doit être remplacé ou nettoyé tous les 6 mois. Lire l'ensemble des instructions avant de poursuivre.

Pour remplacer ou nettoyer le filtre à grosses particules :

1. Débrancher de l'alimentation.
2. Utiliser la clé à six pans de sécurité fournie pour tourner les vis de fixation du couvercle **dans le sens horaire** afin d'enlever le couvercle du sèche-mains.
3. La dépose et le remplacement du filtre à air s'effectuent facilement en écartant doucement le filtre de son boîtier.
4. Pour nettoyer le filtre à grosses particules, enlever le filtre de son boîtier. Utiliser un pinceau de 1,3 cm (1/2 po) à soies douces-moyennes pour nettoyer les peluches, la poussière et les débris du filtre. Si le filtre à air ne peut pas être complètement nettoyé, le remplacer.
5. Après avoir remis le filtre à air dans son boîtier, remonter le couvercle du sèche-mains à l'aide de la clé à six pans fournie pour tourner les vis de montage du couvercle **dans le sens anti-horaire** et bien serrer. Ne pas trop serrer.
6. Rebrancher sur l'alimentation.

## DEL diagnostiques

La carte de circuits imprimés inclut un ensemble de DEL indiquant l'état opérationnel du sèche-mains. Au moment de contacter le service technique World Dryer, se tenir prêt à déposer le couvercle du sèche-mains et à communiquer l'état de la DEL dans la mesure où ce renseignement servira à diagnostiquer le problème. Pour l'emplacement des DEL diagnostiques sur la carte de circuits imprimés, voir la figure 1. Pour une interprétation des DEL, voir le tableau 4.

## Interprétation des DEL diagnostiques

**Tableau 4**

Activité du capteur IR	Vitesse du sèche-mains	Tension d'alimentation détectée			Indication
		DEL 3	DEL 2	DEL 1	
DEL 5	DEL 4	DEL 3	DEL 2	DEL 1	
		Clignotant	Clignotant	Clignotant	La tension d'alimentation est inférieure à 100 V ou supérieure à 255 V
		Éteint	Éteint	Rouge	La tension d'alimentation est de 110 à 120 V
		Éteint	Jaune	Éteint	La tension d'alimentation est de 208 V
		Vert pâle	Éteint	Éteint	La tension d'alimentation est de 240 V
	Bleu				Le régime moteur est réglé à basse vitesse
Vert (continu)					Le capteur IR détecte des mains ou un objet dans la zone de détection
Clignotant vert					En mode « verrouillage anti-vandalisme » (vérifier l'obstruction du capteur)

## Tableau de dépannage

Le sèche-mains ne démarre pas.	Entrée d'alimentation	Enlever le couvercle et vérifier les DEL diagnostiques. Si aucune DEL ne s'allume, vérifiez l'alimentation au disjoncteur/fusible.
	Carte de circuits imprimés défectueuse	Si aucune DEL ne s'allume ci-dessus et que l'alimentation est confirmée, remplacer la carte de circuits imprimés et le transformateur.
	Obstruction du capteur	Si la DEL 5 est allumée ou clignote (en vert) <b>sans mains sous le capteur</b> , vérifier si la lentille du capteur est propre. Nettoyer la lentille avec un chiffon humide et un produit nettoyant doux.
	Fonctionnement du capteur défectueux	Si la DEL 5 ne s'allume pas lorsque des mains se trouvent sous le capteur, remplacer la carte de circuits imprimés et le capteur.
	Balais du moteur en fin de vie utile	Vérifier les balais du moteur et les remplacer si nécessaire.
	Élément chauffant défectueux ( <b>Important</b> : s'applique seulement lors d'un branchement sur du 208 à 240 V)	Si le sèche-mains est branché sur du 208 à 240 V et que toutes les autres causes possibles ont été vérifiées, remplacer l'élément chauffant.
Sèche-mains trop bruyant.	Réglage de vitesse du sèche-mains	Régler la vitesse de la soufflerie sur « Low ». Voir la page 4. Lors d'un fonctionnement à basse vitesse, la DEL 4 s'allume (en bleu) lorsque des mains se trouvent sous le capteur.
La température de l'air est trop basse. La chaleur produite par le sèche-mains fluctue/s'allume et s'éteint en cours de cycle de séchage. La vitesse de la soufflerie du sèche-mains fluctue en cours de cycle de séchage.	Élément chauffant défectueux ( <b>Important</b> : s'applique seulement lors d'un branchement sur du 120 V)	Remplacer l'élément chauffant.
Le sèche-mains fonctionne quelques secondes, puis s'arrête. Le sèche-mains ne s'active pas à chaque fois. Bruit d'arc électrique en cours de fonctionnement. Odeur bizarre (ozone) en cours de fonctionnement.	Balais du moteur en fin de vie utile	Vérifier les balais du moteur et les remplacer si nécessaire.
	Élément chauffant défectueux ( <b>Important</b> : s'applique seulement lors d'un branchement sur du 208 à 240 V)	Remplacer l'élément chauffant.

## Garantie limitée

**GARANTIE LIMITÉE DE CINQ ANS de World.** Le modèle de sèche-mains World Dryer couvert dans ce manuel est garanti par World Dryer Corporation à l'acheteur d'origine contre tout défaut de fabrication ou de matériau dans des conditions d'utilisation normales pendant 5 ans à compter de la date d'achat, excluant l'usure normale et les articles consommables tels que les filtres HEPA, les balais de moteur, etc. Toute pièce présentant un défaut de fabrication ou de matériau et retournée à un centre de service agréé, tel que désigné par World, port payé, sera réparée ou remplacée, au choix de World, à titre de recours exclusif. Voir les procédures de réclamations sous garantie à la section « RÉGLEMENT RAPIDE », ci-dessous. Cette garantie limitée accorde aux acheteurs des droits particuliers qui varient selon les juridictions.

**LIMITES DE RESPONSABILITÉ.** Dans la mesure permise par la loi en vigueur, World décline expressément toute responsabilité pour dommage consécutif ou accessoire. La responsabilité de World est dans tous les cas limitée et ne saurait dépasser le prix d'achat.

**EXONÉRATION DE GARANTIE.** World s'est efforcée d'illustrer et de décrire avec exactitude les produits de cette brochure. Toutefois, ces illustrations et ces descriptions ne sont données qu'aux fins d'identification et ne constituent pas une garantie expresse ou implicite que les produits sont de QUALITÉ MARCHANDE ou ADAPTÉS À UN USAGE PARTICULIER, ou qu'ils seront nécessairement conformes aux illustrations ou aux descriptions fournies. Sauf ce qui est stipulé ci-dessous, aucune garantie ou affirmation de fait, expresse ou implicite, autre que celle énoncée à la section « GARANTIE LIMITÉE » ci-dessus, n'est fournie ou autorisée par World.

**ADÉQUATION DU PRODUIT.** Dans de nombreuses juridictions, les normes et les règles qui régissent les ventes, la construction, l'installation et/ou l'utilisation de produits à certaines fins peuvent être différentes de celles des régions avoisinantes. Bien que World se soit efforcée de rendre ses produits conformes à ces codes, la société ne peut en garantir la conformité et ne saurait être responsable de la manière dont les produits sont installés ou utilisés. Avant d'acheter et d'utiliser un produit, il est conseillé d'étudier son application ainsi que les normes et règlements nationaux et locaux, et de s'assurer que le produit, son installation et son utilisation y sont conformes. Certains aspects des exonérations de garantie ne sont pas applicables aux produits de consommation. Par exemple, (a) certaines juridictions n'autorisent pas l'exclusion ou la limitation des dommages accessoires ou consécutifs, de sorte que ladite limitation ou exclusion peut ne pas s'appliquer à votre situation; (b) de plus, certaines juridictions n'autorisent pas de limiter la durée d'une garantie implicite, il se peut que la limite mentionnée ci-dessus ne s'applique pas à votre situation; et (c) en vertu de la loi, au cours de la période de garantie limitée, toute garantie implicite de valeur marchande ou d'adéquation à un usage particulier applicable aux produits de consommation achetés par des consommateurs, est susceptible de ne pas pouvoir être exclue ou autrement exonérée.

Fabriqué par World Dryer Corporation, Berkeley, Illinois 60163 États-Unis

**RÉGLEMENT RAPIDE.** World s'efforcera en toute bonne foi d'apporter rapidement les corrections ou les ajustements prévus à tout produit qui s'avère défectueux au cours de la période de garantie limitée. Pour tout produit jugé défectueux au cours de la période de garantie limitée, contacter tout d'abord le marchand chez qui l'appareil a été acheté. Le marchand fournira des instructions supplémentaires. S'il est impossible de résoudre le problème de façon satisfaisante, écrire à World à l'adresse ci-dessous, en indiquant le nom et l'adresse du marchand, la date et le numéro de la facture du marchand, ainsi que la nature de la défectuosité. Le titre et le risque de perte passent à l'acheteur au moment de la livraison par le transporteur. Si le produit a été endommagé pendant le transport, une réclamation doit être adressée auprès du transporteur.

## Beschreibung

Der oberflächenmontierte ADA (American Disabilities Act)-konforme Warmluft-Händetrockner von World verfügt über einen Universal-Bürstenmotor und hat eine Trocknungsleistung von bis zu 950 Watt. Diese Modelle können mit allen Spannung zwischen 115 und 230 V AC betrieben werden und verfügen über ein eingebautes Heizelement, eine Drehzahlregelung für das Gebläse und einen Infrarotsensor für die automatische Aktivierung. Ihr spezielles Modell ist eventuell mit einem HEPA-Filter (High Efficiency Particulate Absorption) ausgestattet, der mindestens 99,97 % der Schadstoffe von einer Größe ab 0,3 Mikron aus der Luft entfernt. Diese Modelle sind zur Benutzung in gewerblichen, industriellen und Büroumgebungen sowie öffentlichen Einrichtungen vorgesehen.


## Technische Daten – Elektrik

**Tabelle 1**


Modelle	Typ	Elektrische Nennwerte	Zertifikationen
Q-XXXXX	Ein- und Ausschaltautomatik	115 / 208 / 230 V AC 950 W 50/60 Hz	cETLus, CE, IP24

## Allgemeine Sicherheitsinformationen


Dieses Gerät ist nicht für kleine Kinder oder Personen mit physischen, sensorischen oder geistigen Behinderungen bestimmt, es sei denn, sie werden von einer verantwortlichen Person beaufsichtigt, um sicherzustellen, dass sie das Gerät sicher verwenden können. Kleine Kinder sind zu beaufsichtigen, um sicherzustellen, dass sie nicht mit dem Gerät spielen.

 **GEFAHR** Wird das Gerät vor der Montage bzw. der Wartung nicht von der Stromquelle getrennt, kann dies zu schwerwiegenden Verletzungen oder Tod durch elektrischen Schlag führen.


- Den Händetrockner vor Wartungsarbeiten oder der Montage des Geräts stets von der Stromquelle trennen.

 **GEFAHR** Wird dieses Gerät nicht ordnungsgemäß geerdet, kann dies zu einem schweren elektrischen Schlag und/oder zum Tod führen.

- Der Händetrockner muss ordnungsgemäß geerdet werden, damit ein sicherer Betrieb gewährleistet ist. An der Wandbasis des Händetrockners findet sich ein gekennzeichnete Erdungspunkt.
- In nassen bzw. feuchten Umgebungen empfehlen wir den Einbau eines Erdschlussunterbrechers bzw. ist dies gemäß örtlichen Elektrovorschriften vorgeschrieben.

 **WARNHINWEIS** Eine Nichtbeachtung örtlicher Elektrovorschriften bzw. Sicherheitsempfehlungen kann zu Bränden, Verletzungen oder Sachschäden führen.

- Die Montage und Wartung nur von qualifizierten Elektrikern durchführen lassen.
- Nur die für das zu montierende Händetrockner-Modell vorgeschriebene elektrische Leistung (Spannung und Frequenz) verwenden. Siehe Tabelle 1 – Technische Daten – Elektrik
- Den Händetrockner an die am nächsten liegende Verteilertafel anschließen. Die feste Verkabelung muss über eine Trennvorrichtung verfügen, die den örtlichen Verkabelungsvorschriften entspricht.
- Um Spannungsabfälle zu begrenzen und einen effizienten Betrieb zu gewährleisten, sind Leiter der Mindestgröße AWG Nr. 14 gemäß örtlichen Elektrovorschriften zu verwenden.
- Das Gerät stets gemäß örtlichen Elektrovorschriften wie z. B. dem NEC (National Electrical Code) und/oder dem CEC (Canadian Electrical Code) an einen Abzweigkreis mit einem Leistungsschalter bzw. einer Absicherung mit einer elektrischen Belastbarkeit anschließen, die größer als die in Tabelle 1 – Technische Daten – Elektrik aufgeführte Nennstromstärke des entsprechenden Händetrockner-Modells ist.
- Um ein gefährliches unbeabsichtigtes Rücksetzen des Temperaturbegrenzers zu vermeiden, darf der Händetrockner nicht über ein externes Schaltgerät, wie z. B. einen Timer, gespeist bzw. an einen Stromkreis angeschlossen werden, der vom Versorgungsunternehmen regelmäßig ein- und ausgeschaltet wird.
- Jeder Händetrockner mit Ein- und Ausschaltautomatik muss an einem eigenen Stromkreis angeschlossen sein.
- Sämtliche Feldverkabelungen in sicherer Entfernung von beweglichen Teilen im Händetrockner verlegen.
- Zum Schutz der Stromversorgungskabel Armaturen mit glatten, abgerundeten Oberflächen gemäß den örtlichen Elektrovorschriften wie z. B. dem NEC (National Electrical Code) und/oder dem CEC (Canadian Electrical Code) verwenden.

 **VORSICHT** Eine unsachgemäße Montage kann zu Verletzungen oder Sachschäden führen.

- Die Empfehlungen zur Montagehöhe in Tabelle 2 beachten.
- Bei der Montage an einer Wand mit Ständerprofilen muss eine Seite des Händetrockners an einem vorhandenen Ständer befestigt werden.

## Auspacken

1. Sämtliches Verpackungsmaterial entfernen. Wir empfehlen, das Verpackungsmaterial zu recyceln.
2. Händetrockner vorsichtig aus dem Versandkarton nehmen und dabei darauf achten, dass er nicht herunterfällt.
3. Das Gerät sorgfältig auf eventuell während des Transports entstandene Schäden überprüfen. Prüfen, ob Teile lose oder beschädigt sind bzw. fehlen. Wenn der Händetrockner beschädigt ist, umgehend den Händler informieren, bei dem das Gerät erworben wurde.

## Montage

1. Das Gerät von der Stromquelle trennen.
2. Die empfohlene Montagehöhe ist Tabelle 2 zu entnehmen. Für den Händetrockner ist ein Montageort auszuwählen, an dem sich keine reflektierenden Oberflächen oder Gegenstände (wie z. B. ein Waschbecken) direkt unter dem Infrarotauge befinden. Das Infrarotauge ist an der Unterseite des Trockners sichtbar. Der Mindestmontageabstand von der Unterseite des Trockners zu einer reflektierenden Oberfläche beträgt 46 cm. Wenn zwei oder mehr Trockner installiert werden, sollte der Abstand zwischen ihnen 61 cm betragen. Den Trockner nicht an Stellen montieren, an denen er eventuell natürlichem Licht (Sonneneinstrahlung) direkt ausgesetzt ist.
3. Die Befestigungsschrauben der Abdeckung mit dem im Lieferumfang enthaltenen Inbusschlüssel **im Uhrzeigersinn** drehen, um die Abdeckung vom Trockner abzunehmen.
4. Die mitgelieferte Montageschablone zum Markieren der Bohrlöcher für die Befestigungsschrauben in der Wand verwenden. Bei der Montage an einer Wand mit Ständerprofilen ist darauf zu achten, dass mindestens eine Befestigungsstelle an einem Ständer befestigt wird.
5. Die Basis mithilfe des in Tabelle 3 empfohlenen Schraubentyps befestigen.
6. Jeder Trockner muss an einen eigenen Stromkreis angeschlossen sein.
7. Den Händetrockner an der am nächsten liegenden Verteilertafel anschließen.
8. Die Abdeckung befestigen. Hierzu die Schrauben **entgegen dem Uhrzeigersinn** drehen. Die Schrauben dürfen nicht überdreht werden.

**WICHTIG: Informieren Sie sich vor der Montage des Händetrockners über die örtlichen und allgemeinen Elektrovorschriften. Stellen Sie sicher, dass das elektrische Netz nicht überlastet ist. Das Gerät stets gemäß örtlichen Elektrovorschriften wie z. B. dem NEC (National Electrical Code) und/oder dem CEC (Canadian Electrical Code) an einen Abzweigkreis mit einem Leistungsschalter bzw. einer Absicherung mit einer elektrischen Belastbarkeit anschließen, die größer als die in Tabelle 1 – Technische Daten – Elektrik aufgeführte Nennstromstärke des entsprechenden Händetrockner-Modells ist.**

**Tabelle 2**

Empfohlene Montagehöhen vom Boden bis zur Unterkante des Trockners	cm (Zoll)
Waschraum für Männer	117 (46)
Waschraum für Frauen	112 (44)
Waschraum für Kinder zwischen 4 und 7 Jahren	81 (32)
Waschraum für Kinder zwischen 7 und 10 Jahren	91 (36)
Waschraum für Kinder zwischen 10 und 13 Jahren	102 (40)
Waschraum für Kinder zwischen 13 und 17 Jahren	112 (44)
Montagehöhe für Benutzung durch Behinderte	94 (37)

**Tabelle 3**

Art der Wand	Schraubentyp	Schraubenmindestlänge
Hohlziegel, Latte, Leichtbauplatte oder Metall	¼-Zoll-Schraube (M6) oder Knebelschraube	Abhängig von der Dicke der Wand
Zement, Ziegelstein oder Fliesen auf Zement oder Ziegelstein	¼-Zoll-Spreizdübel für Ständer (M6)	76 mm (3 Zoll)
Wand mit Ständerprofil und Holzhinterlegung	Holzschrauben Nr. 16 (M8)	70 mm (2 ¾ Zoll)



# Einstellen der Gebläsedrehzahl

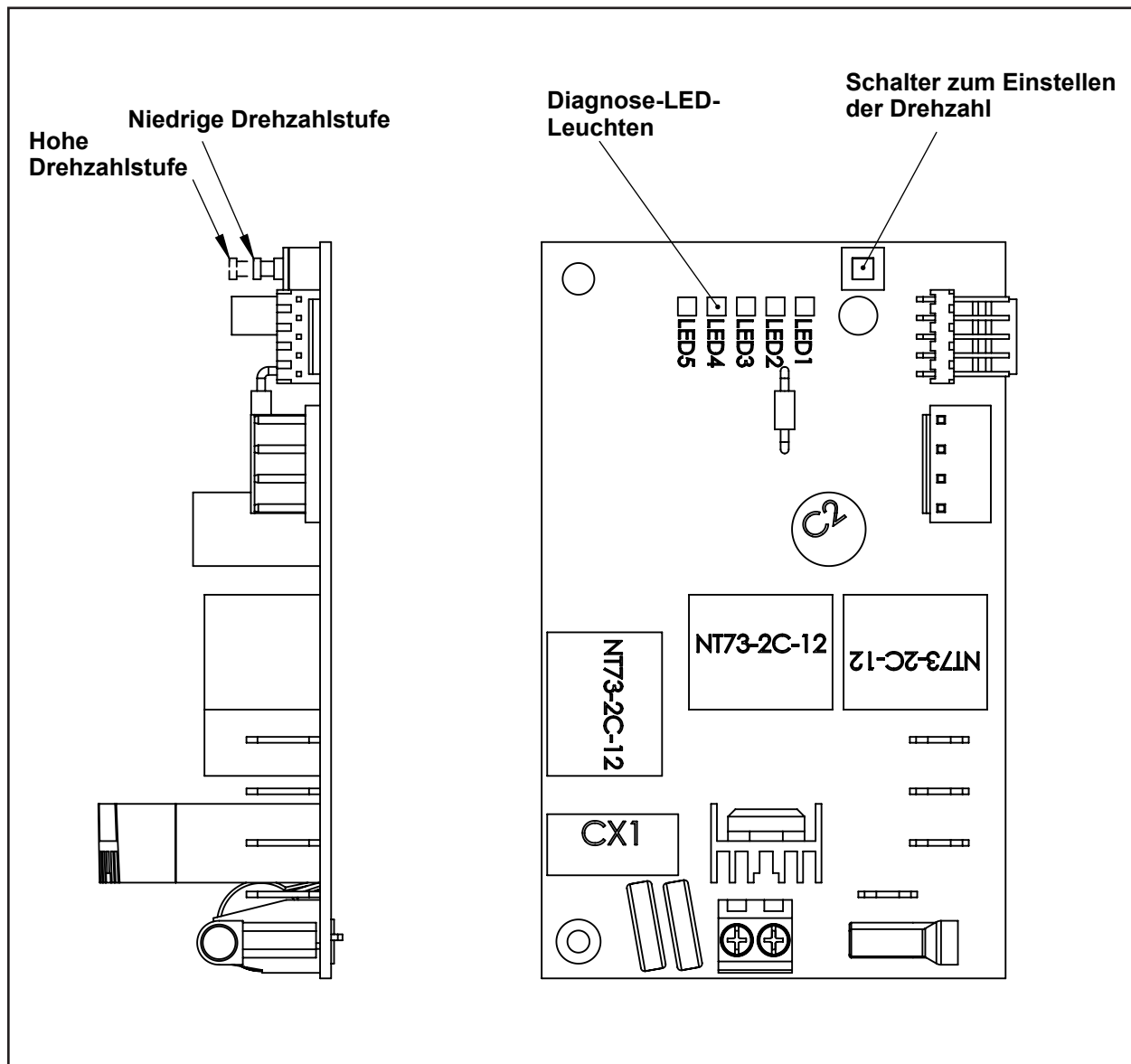
Diese Modelle verfügen über eine verstellbare Gebläsedrehzahlsteuerung mit zwei Betriebsstufen – Hi (Hoch) und Low (Niedrig). Der Schalter hierfür befindet sich auf der Leiterplatte im Trockner (siehe nachstehend Abb. 1).

**Hinweis: Die werkseitige Einstellung für die Gebläsedrehzahlsteuerung lautet „Hi“ (Hoch).**

Einstellen der Gebläsedrehzahl:

1. Das Gerät von der Stromquelle trennen.
2. Die Befestigungsschrauben der Abdeckung mit dem im Lieferumfang enthaltenen Inbusschlüssel **im Uhrzeigersinn** drehen, um die Abdeckung vom Trockner abzunehmen.
3. Mit dem Schalter auf der Leiterplatte im Trockner (siehe nachstehend Abb. 1) die Drehzahl des Gebläses je nach Bedarf einstellen. (Hinweis: Wenn die niedrige Drehzahl („Low“) eingestellt ist, leuchtet LED-Leuchte 4 auf der Leiterplatte blau).
- Die Abdeckung des Trockners mithilfe des im Lieferumfang enthaltenen Inbusschlüssels wieder anbringen. Die Befestigungsschrauben **entgegen dem Uhrzeigersinn** drehen und festziehen. Die Schrauben nicht zu fest anziehen.
4. Das Gerät wieder an die Stromquelle anschließen.

**Abbildung 1**



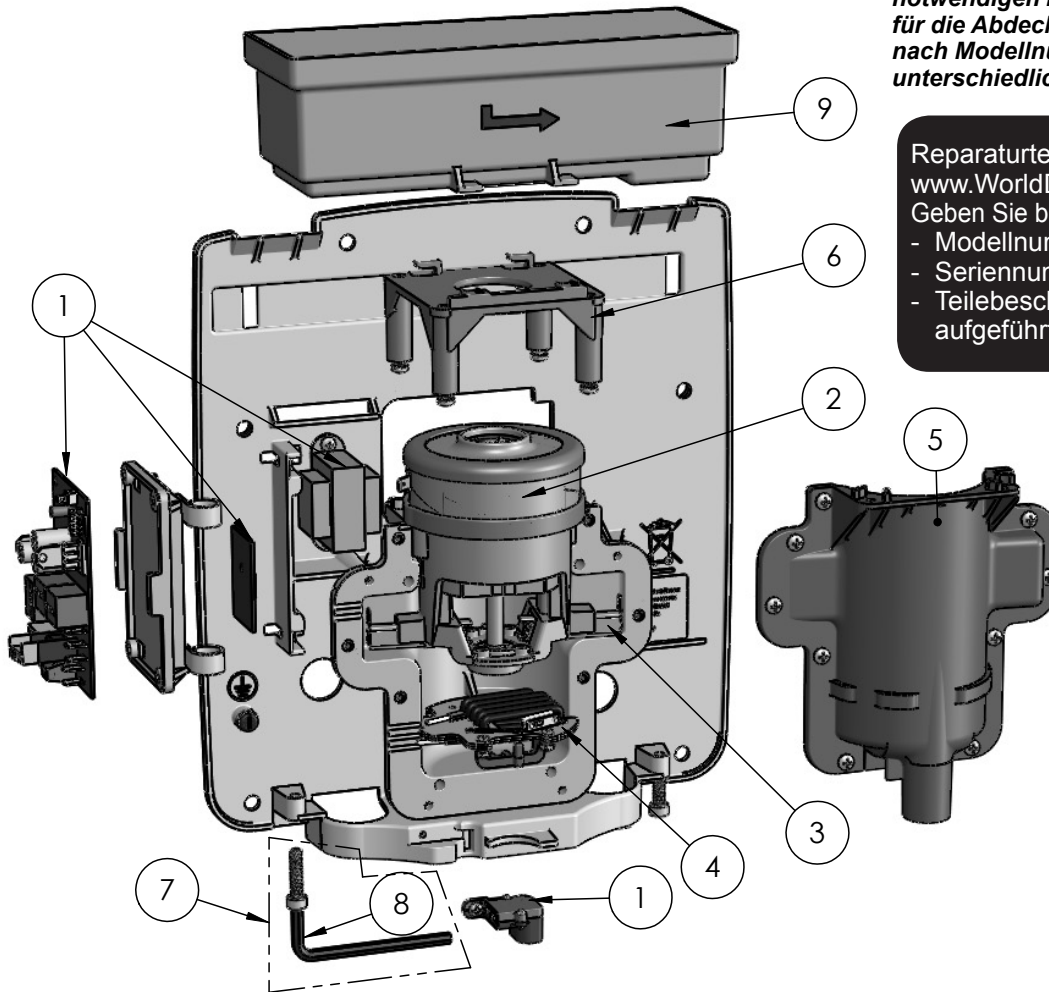
# Teilleiste

## Liste der Reparaturteile für den VERDEdri™ Händetrockner

Alle Sätze enthalten die für die Montage notwendigen Befestigungsteile. Die Teilenummer für die Abdeckung (Bezugsnummer 7) ist je nach Modellnummer für den Händetrockner unterschiedlich.

Reparaturteile finden Sie unter [www.WorldDryer.com](http://www.WorldDryer.com).  
Geben Sie bitte die folgenden Informationen an:

- Modellnummer
- Seriennummer
- Teilebeschreibung und in der Teilleiste aufgeführte Nummer



Nr.	Beschreibung	Teilenummer
1	Satz, Trocknersteuerung mit Sensor und Transformator	16-10283K
2	Satz, Motor	32-10268K
3	Satz, Ersatz-Motorbürsten	32-10337K
4	Satz, Heizelement	21-10306K
5	Satz, vordere Luftansaugkammer – mit Dichtung	47-10270K
6	Satz, Motorkappe	47-10297K
7 (nicht abgebildet)	Abdeckung – Alum – Weiß	20-Q974
	Abdeckung – Alum – Schwarz	20-Q162
	Abdeckung - Alum - Edelstahl, glanzpoliert	20-Q972
	Abdeckung - Alum - Edelstahl, mattgebürstet	20-Q973
7	Satz, Inbusschrauben (einschl. Inbusschlüssel)	46-040221K
8	Inbusschlüssel	56-40189
9	Filter, HEPA (für Modelle mit HEPA-Filter)	93-10292
10	Filter, Grobstoff (für Modelle ohne HEPA-Filter) (nicht abgebildet)	93-10331

# Wartungs- und Reinigungsanweisungen

**WICHTIG:** Im Trockner können sich Flusen und Schmutzrückstände ansammeln, die natürlich in der Luft vorhanden sind. Eine übermäßige Ansammlung von Flusen und Schmutzrückständen kann zu Schäden am Motor und am Heizelement führen. Der Trockner sollte routinemäßig gereinigt werden, um ihn in gutem Betriebszustand zu halten. Für wenig bis mittelstark frequentierte Bereiche wird empfohlen, den Trockner einmal jährlich zu reinigen. Für stark frequentierte Bereiche sollte der Trockner alle 6 Monate gereinigt werden.

Reinigung des Händetrockners:

1. Das Gerät von der Stromquelle trennen.
2. Die Befestigungsschrauben der Abdeckung mit dem im Lieferumfang enthaltenen Inbusschlüssel **im Uhrzeigersinn** drehen, um die Abdeckung vom Trockner abzunehmen.
3. Mit einer Bürste mit weichen bis mittelharten Borsten Flusen, Staub und Schmutzrückstände von den Lufteinlassschlitzen und der Außenseite des Motors abwischen.
4. Nach der Reinigung die Abdeckung des Trockners mithilfe des im Lieferumfang enthaltenen Inbusschlüssels wieder anbringen. Die Befestigungsschrauben der Abdeckung **entgegen dem Uhrzeigersinn** drehen und festziehen. Die Schrauben nicht zu fest anziehen.

## Auswechseln eines HEPA-Filters (für Modelle mit HEPA-Filter)

Ihr spezielles Modell ist möglicherweise mit einem HEPA-Filter (High Efficiency Particulate Absorption) ausgestattet, der mindestens 99,97 % der Schadstoffe von einer Größe ab 0,3 Mikron aus der Luft entfernt.

Die Lebensdauer des HEPA-Filters hängt von der Umgebung ab, in dem der Trockner installiert ist, sowie von der Nutzungsfrequenz. Stark frequentierte Bereiche bzw. eine starke Nutzung des Trockners machen häufigere Inspektionen und ein häufigeres Auswechseln des HEPA-Filters erforderlich. Der HEPA-Filter sollte in wenig bis mittelstark frequentierten Bereichen und in normalen Umgebungen mindestens vier Mal jährlich inspiziert werden. In Umgebungen mit übermäßigem Staub und Schmutz oder bei stark frequentierten Bereichen wird eine monatliche Inspektion des HEPA-Filters empfohlen. Wenn die Sichtprüfung des HEPA-Filters eine übermäßige Ansammlung von Flusen, Staub und Schmutz ergibt, ist der Filter auszuwechseln.

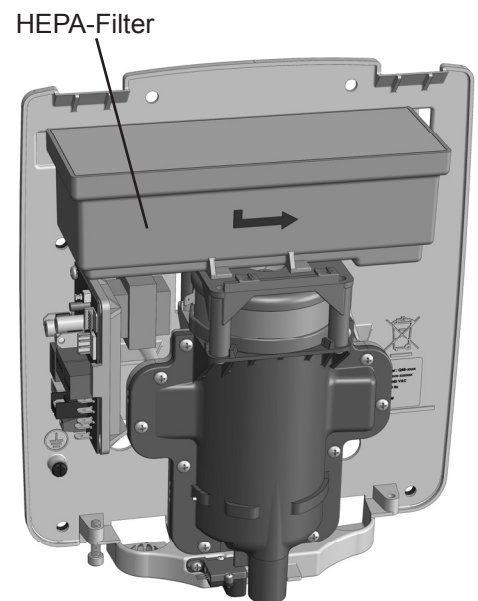
Durch die regelmäßige Kontrolle und das regelmäßige Auswechseln des HEPA-Filters wird dafür gesorgt, dass der Händetrockner effizient arbeitet. Wird ein Händetrockner mit einem übermäßig verschmutzten bzw. einem verstopften Filter betrieben, kann der Händetrockner dadurch Schaden nehmen.

Der HEPA-Filter kann nicht gereinigt und wiederverwendet werden. Den HEPA-Filter nicht reinigen bzw. nicht mit Wasser in Berührung kommen lassen.

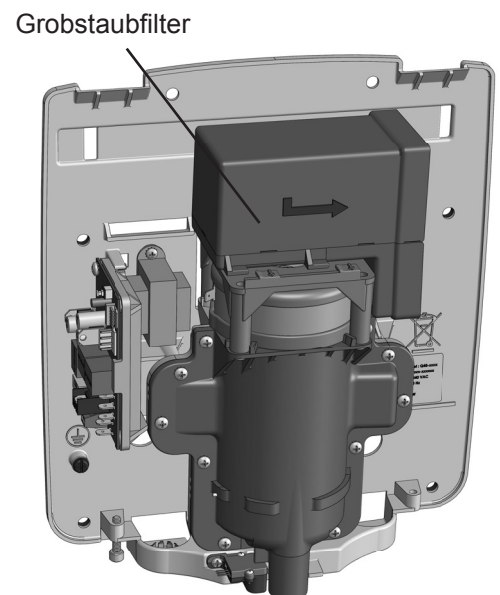
Inspizieren bzw. Auswechseln des HEPA-Filters:

1. Das Gerät von der Stromquelle trennen.
2. Die Befestigungsschrauben der Abdeckung mit dem im Lieferumfang enthaltenen Inbusschlüssel **im Uhrzeigersinn** drehen, um die Abdeckung vom Trockner abzunehmen.
3. Zum Entfernen oder Auswechseln lässt sich der HEPA-Filter einfach entlang der Montageschiene an der Motorkappe verschieben.
4. Nach dem Auswechseln des HEPA-Filters die Abdeckung des Trockners mithilfe des im Lieferumfang enthaltenen Inbusschlüssels wieder anbringen. Die Befestigungsschrauben der Abdeckung **entgegen dem Uhrzeigersinn** drehen und festziehen. Die Schrauben nicht zu fest anziehen.
5. Das Gerät wieder an die Stromquelle anschließen.

**Abbildung 2**



**Modelle mit HEPA-Filter**



**Modelle ohne HEPA-Filter**

## Grobstaubfilter (für Modelle ohne HEPA-Filter)

Der Trockner verfügt über einen Grobstaub-Luftfilter, der die Ansammlung von Flusen und Schmutzrückständen verhindert, durch die Schäden am Motor und am Heizelement verursacht werden können. Der Luftfilter muss regelmäßig ausgewechselt bzw. gereinigt werden, um den Trockner in gutem Betriebszustand zu halten. Für wenig bis mittelstark frequentierte Bereiche wird empfohlen, den Luftfilter einmal jährlich auszuwechseln bzw. zu reinigen. Für stark frequentierte Bereiche sollte der Luftfilter alle 6 Monate ausgewechselt bzw. gereinigt werden. Vor der Reinigung die komplette Anweisung durchlesen.

Auswechseln bzw. Reinigen des Grobstaub-Luftfilters:

1. Das Gerät von der Stromquelle trennen.
2. Die Befestigungsschrauben der Abdeckung mit dem im Lieferumfang enthaltenen Inbusschlüssel **im Uhrzeigersinn** drehen, um die Abdeckung vom Trockner abzunehmen.
3. Zum Entfernen und Auswechseln des Luftfilters wird dieser einfach behutsam vom Filtergehäuse weg gezogen.
4. Zum Reinigen des Grobstaub-Luftfilters den Filter aus dem Filtergehäuse nehmen. Mit einer 1,3 cm breiten Bürste mit weichen bis mittelharten Borsten Flusen, Staub und Schmutzrückstände vom Filter wischen. Wenn der Luftfilter nicht vollständig von Schmutzrückständen gereinigt werden kann, den Filter auswechseln.
5. Nach dem Wiedereinbringen des Luftfilters in das Filtergehäuse die Abdeckung des Trockners mithilfe des im Lieferumfang enthaltenen Inbusschlüssels wieder anbringen. Die Befestigungsschrauben der Abdeckung **entgegen dem Uhrzeigersinn** drehen und festziehen. Die Schrauben nicht zu fest anziehen.
6. Das Gerät wieder an die Stromquelle anschließen.

## Anzeige der Diagnose-LED-Leuchten

Auf der Leiterplatte befindet sich ein Satz LED-Leuchten, die den Betriebsstatus des Händetrockners anzeigen. Bei der Kontaktaufnahme mit dem technischen Kundendienst (Technical Service) von World Dryer sollten Sie darauf vorbereitet sein, die Abdeckung des Trockners abzunehmen und den Zustand der LED-Leuchten anzugeben, da dieser für die Fehlersuche zweckdienlich sein kann. Siehe Abbildung 1 für die Lage der Diagnose-LED-Leuchten auf der Leiterplatte. Siehe Tabelle 4 für eine Erklärung der jeweiligen LED-Funktion.

## Funktion der Diagnose-LED-Leuchten

**Tabelle 4**

Aktivität des Infrarotsensors	Drehzahl des Trockners	Betriebsspannung festgestellt			Hinweis
		LED 3	LED 2	LED 1	
LED 5	LED 4	LED 3	LED 2	LED 1	
		Blinkt	Blinkt	Blinkt	Netzspannung beträgt weniger als 100 V bzw. mehr als 255 V
		AUS	AUS	Rot	Netzspannung liegt zwischen 110 V und 120 V
		AUS	Gelb	AUS	Netzspannung beträgt 208 V
		Hellgrün	AUS	AUS	Netzspannung beträgt 240 V
	Blau				Die Drehzahl des Motors ist auf die niedrige Stufe eingestellt
Grün (stetig leuchtend)					Infrarotsensor erkennt Hand oder Gegenstand innerhalb des Erkennungsbereichs
Grün (blinkt)					Im vandalensicheren Sperrmodus (auf Blockierung des Sensors prüfen)

# Fehlersuche

Trockner startet nicht.	Eingangsstromversorgung	Abdeckung abnehmen und Diagnose-LED-Leuchten kontrollieren. Wenn keine LED-Leuchten leuchten, Netzversorgung am Leistungsschalter/an der Sicherung prüfen.
	Leiterplatte defekt	Wenn keine LED-Leuchten leuchten und der Versorgungsstromkreis nachgewiesenermaßen aktiv ist, Leiterplatte und Transformator austauschen.
	Sensor blockiert	Wenn LED-Leuchte 5 leuchtet oder blinkt (grün), <b>ohne dass sich unter dem Sensor Hände befinden</b> , Sensorlinse auf Fremdkörper oder Schmutz überprüfen. Linse mit einem weichen feuchten Tuch und mildem Reinigungsmittel reinigen.
	Sensorbetrieb fehlerhaft	Wenn LED-Leuchte 5 nicht leuchtet, wenn sich unter dem Sensor Hände befinden, Leiterplatte und Sensor austauschen.
	Motorbürsten haben Standzeitende erreicht	Motorbürsten kontrollieren und bei Bedarf austauschen.
	Heizelement defekt (Wichtig: Nur zutreffend, wenn der Trockner an einem Netzanschluss mit einer Spannung zwischen 208 V und 240 V angeschlossen ist.)	Wenn der Trockner an einem Netzanschluss mit einer Spannung zwischen 208 und 240 angeschlossen ist und alle anderen möglichen Ursachen überprüft wurden, Heizelement austauschen.
Trockner zu laut.	DrehzahlEinstellung des Trockners	Gebläsedrehzahl auf „Low“ (Niedrig) einstellen. Siehe Seite 4. Bei Betrieb mit einer niedrigen Drehzahl leuchtet LED-Leuchte 4 blau, wenn sich Hände unter dem Sensor befinden.
Lufttemperatur ist zu kalt. Die Heizleistung des Trockners schwankt/schaltet sich während eines Trockenzyklus ein und aus. Die Drehzahl des Trockners schwankt während eines Trockenzyklus nach oben und unten.	Heizelement defekt (Wichtig: Nur zutreffend, wenn der Trockner an einem Netzanschluss mit einer Spannung von 120 V angeschlossen ist.)	Heizelement austauschen.
Trockner läuft nur einige Sekunden lang und schaltet sich dann aus. Trockner schaltet sich nicht jedes Mal ein. Überschlaggeräusche während des Betriebs. Seltener Geruch (Ozongeruch) während des Betriebs.	Motorbürsten haben Standzeitende erreicht	Motorbürsten kontrollieren und bei Bedarf austauschen.
	Heizelement defekt (Wichtig: Nur zutreffend, wenn der Trockner an einem Netzanschluss mit einer Spannung zwischen 208 V und 240 V angeschlossen ist.)	Heizelement austauschen.

# Eingeschränkte Garantie

**INGESCHRÄNKTE FÜNF-JAHRES-GARANTIE VON World.** World Dryer Corporation gewährt dem Erstbenutzer des in diesem Handbuch beschriebenen Warmluft-Händetrocknermodells eine Garantie gegen Verarbeitungs- oder Materialmängel bei normaler Benutzung für einen Zeitraum von 5 Jahren ab Kaufdatum (hiervon ausgenommen sind normaler Verschleiß sowie Verschleißteile wie z. B. HEPA-Filter, Motorbürsten usw.). Teile, bei denen das Material bzw. die Verarbeitung als fehlerhaft befunden wird und die mit vorausbezahlten Versandkosten an eine befugte, von World bestimmte Kundendienststelle eingesandt werden, werden als ausschließliche Abhilfemaßnahme im Ermessen von World repariert bzw. ersetzt. Informationen zur Abwicklung von Ansprüchen unter der eingeschränkten Garantie sind im nachstehenden Abschnitt UNVERZÜGLICHE MÄNGELBESEITIGUNG zu finden. Diese eingeschränkte Garantie verleiht dem Käufer bestimmte Rechte, die in jeder Rechtsordnung verschieden sein können.

**HAFTUNGSBESCHRÄNKUNG.** World lehnt die Haftung für Folgeschäden und Nebenkosten ausdrücklich ab, soweit dies gesetzlich zulässig ist. Die Haftung von World beschränkt sich in allen Fällen auf den gezahlten Kaufpreis und darf diesen nicht überschreiten.

**HAFTUNGSAUSCHLUSS.** World ist immer bestrebt, gewissenhaft zusammengestellte Produktinformationen zur Verfügung zu stellen und das Produkt in diesem Anweisungsblatt genau abzubilden. Solche Informationen und Abbildungen sind jedoch nur zur Identifikation gedacht und stellen keine ausdrückliche oder stillschweigende Garantie für die ALLGEMEINE GEBRAUCHSTAUGLICHKEIT der Produkte bzw. die GEEIGNETHEIT FÜR EINEN BESTIMMTEN ZWECK dar, sowie auch keine Garantie dafür, dass die Produkte notwendigerweise den Abbildungen oder Beschreibungen entsprechen. Vorbehaltlich unten stehender Bestimmungen übernimmt oder autorisiert World keine ausdrückliche oder stillschweigende Garantie oder Zusicherung von Tatsachen neben den vorstehenden Bestimmungen in „INGESCHRÄNKTE GARANTIE“.

**GEEIGNETHEIT UND ANGEMESSENHEIT DES PRODUKTS.** In vielen Rechtsordnungen gibt es Gesetze und Regelungen zum Kaufrecht, zur Bauweise, Installation und/oder zur Verwendung von Produkten für bestimmte Zwecke, welche sich von angrenzenden Gebieten unterscheiden können. Obwohl World bestrebt ist, sicherzustellen, dass die Produkte diesen Gesetzen entsprechen, kann keine Garantie dafür übernommen werden und World ist nicht dafür verantwortlich, wie das Produkt installiert oder verwendet wird. Vor dem Kauf und der Verwendung eines Produkts muss der Käufer sich mit den Anwendungsmöglichkeiten des Produkts sowie allen zutreffenden nationalen und örtlichen Gesetzen und Regelungen vertraut machen und sicherstellen, dass das Produkt sowie dessen Montage und Verwendung mit diesen Vorschriften übereinstimmen wird.

Bestimmte Aspekte von Haftungsausschlüssen gelten nicht für Verbraucherprodukte, z. B. (a) in einigen Rechtsordnungen ist der Ausschluss oder die Beschränkung der Haftung für Folgeschäden oder Nebenkosten ausgeschlossen und daher kann es sein, dass die vorstehenden Beschränkungen oder Ausschlüsse für Sie keine Anwendung finden, (b) in einigen Rechtsordnungen ist auch die zeitliche Beschränkung einer stillschweigenden Garantie unzulässig und daher wäre die vorstehende Haftungsbeschränkung in einem solchen Fall für Sie nicht anwendbar und (c) es ist gesetzlich vorgeschrieben, dass während der Laufzeit dieser eingeschränkten Garantie stillschweigende Garantien für konkludente Zusicherung der allgemeinen Gebrauchstauglichkeit oder Geeignetheit für einen bestimmten Zweck hinsichtlich von Verbrauchern erworbener Verbraucherprodukte nicht ausgeschlossen oder anderweitig abgelehnt werden können.

Hergestellt von World Dryer Corporation, Berkeley, Illinois 60163, USA.

**UNVERZÜGLICHE MÄNGELBESEITIGUNG.** World wird sich im Hinblick auf alle Produkte, die innerhalb der eingeschränkten Garantiezeit einen erwiesenen Mangel aufweisen, gutgläubig um eine unverzügliche Mängelbeseitigung oder einen Ausgleich bemühen. Jede Kommunikation in Bezug auf ein mangelhaftes Produkt innerhalb der eingeschränkten Garantiezeit ist zunächst schriftlich oder telefonisch an den Händler zu richten, von dem das Produkt erworben wurde. Der Händler wird dann zusätzliche Anweisungen zur Verfügung stellen. Sollte das Problem nicht zufriedenstellend behoben werden können, wenden Sie sich schriftlich an World unter der nachstehenden Adresse. Geben Sie dabei den Namen und die Adresse des Händlers sowie Rechnungsdatum und -nummer an und beschreiben Sie die Art des Mangels. Mit der Übergabe an ein Transportunternehmen gehen Eigentum und Verlustrisiko auf den Käufer über. Wenn das Produkt beim Transport beschädigt wurde, sind Ansprüche an das Transportunternehmen zu richten.

## Descrizione

L'asciugamani elettrico ad aria calda per montaggio su superficie World è conforme alle norme ADA (American Disabilities Act); è alimentato da un motore a spazzole universale ed eroga un massimo di 950 W di potenza per l'asciugatura. Questi modelli possono utilizzare tensioni da 115 a 230 V c.a. e includono un elemento riscaldante integrato, velocità della ventola regolabile e un sensore a infrarossi per l'attivazione automatica. Il modello specifico in dotazione potrebbe includere un filtro HEPA ad alta efficienza per rimuovere almeno il 99,97% dei materiali contaminanti di dimensioni superiori a 0,3 micron. Questi modelli sono intesi per l'uso in ambienti commerciali, industriali, uffici e centri pubblici.

## Specifiche elettriche

Tabella 1

Modelli	Tipo	Caratteristiche elettriche	Certificazioni
Q-XXXXX	Automatico	115 / 208 / 230 VAC 950W 50/60Hz	cETLus, CE, IP24

## Informazioni generali sulla sicurezza

Questo apparecchio non è inteso per l'uso da parte di bambini piccoli o persone affette da disabilità fisica, sensoria o mentale se non sono sorvegliati da una persona responsabile che garantisca che l'apparecchio venga usato in maniera sicura. I bambini piccoli devono essere sorvegliati per garantire che non giochino con l'apparecchio.

**⚠ PERICOLO** Il mancato scollegamento dalla fonte di alimentazione prima dell'installazione o della riparazione potrebbe causare gravi lesioni o morte da folgorazione.

- Scollegare sempre la fonte di alimentazione prima di riparare o installare l'asciugamani.

**⚠ PERICOLO** La messa a terra non adeguata di questa unità potrebbe causare grave folgorazione e/o morte.

- Per garantirne un funzionamento sicuro, questo asciugamani deve avere un'adeguata messa a terra. Sulla base inferiore dell'asciugamani è indicato un punto di collegamento per messa a terra.
- Si consiglia una protezione con interruttore differenziale in applicazioni con ambiente bagnato o umido o dove richiesto dalla normativa locale.

**⚠ AVVERTENZA** Qualora non si rispettino i codici vigenti a livello locale o i consigli sulla sicurezza, esiste il pericolo di incendio, lesioni a persone o danni alle cose.

- L'installazione e la riparazione devono essere eseguite solo da elettricisti qualificati.
- Utilizzare solo l'alimentazione elettrica (tensione e frequenza) specificata per il modello di asciugamani installato. Consultare la Tabella 1 – Specifiche elettriche.
- Collegare l'asciugamani al pannello di distribuzione adeguato più vicino. Nel cablaggio fisso deve essere incluso un dispositivo per scollegare l'alimentazione che sia conforme ai codici elettrici locali.
- Al fine di limitare un'eventuale caduta di tensione e garantire un funzionamento efficiente, usare fili di misura 14 AWG o superiore, come richiesto dai codici elettrici locali.
- Eseguire sempre il collegamento a un circuito, protetto mediante fusibile o interruttore automatico, con potenza elettrica nominale conforme ai valori per il modello in dotazione mostrati in Tabella 1 - Caratteristiche elettriche, secondo quanto indicato dalle norme elettriche locali, come ad esempio la NEC (National Electrical Code) o la CEC (Canadian Electrical Code).
- Onde evitare pericoli a seguito di un ripristino involontario del disgiuntore termico, non alimentare l'asciugamani con un dispositivo di commutazione esterno, quale ad esempio un timer, né collegarlo ad un circuito commutato regolarmente (on/off) dalla linea di servizio.
- Ciascun modello automatico di asciugamani deve disporre di un circuito dedicato.
- Instradare tutto il cablaggio lontano da parti mobili all'interno dell'asciugamani.
- Usare raccorderia con superfici lisce e arrotondate per proteggere i cavi di alimentazione, come richiesto dalle norme elettriche locali, come ad esempio la NEC (National Electrical Code) o la CEC (Canadian Electrical Code)

**⚠ ATTENZIONE** Un attacco inadeguato potrebbe causare lesioni a persone o danni a cose.

- Seguire le indicazioni relative all'altezza di montaggio contenute nella Tabella 2.
- Su una parete con montanti in legno, un lato dell'asciugamani deve essere montato su uno dei montanti.

## Disimballaggio

1. Togliere tutto il materiale di imballaggio. Si consiglia di adottare un programma di riciclaggio.
2. Togliere con cura l'asciugamani dalla scatola di spedizione, facendo attenzione a non farlo cadere.
3. Ispezionare con cura l'unità per accertarsi che durante il transito non abbia subito danni. Controllare che non vi siano parti allentate, mancanti o danneggiate. Qualora l'asciugamani abbia subito danni, informare subito il punto di acquisto.

## Installazione

1. Scollegare la fonte di alimentazione.
2. Avvalendosi della Tabella 2 per determinare l'altezza di montaggio consigliata, selezionare un punto di montaggio per l'asciugamani dove non vi siano superfici o oggetti riflettenti (quali un lavandino) direttamente sotto la cellula del sensore a infrarossi. La cellula del sensore ad infrarossi è visibile dal lato inferiore dell'asciugamani. La distanza minima di montaggio dal fondo dell'asciugamani rispetto ad una superficie riflettente è di 46 cm (18 pollici). Qualora si installino due o più asciugamani, calcolare una distanza di 61 cm (24 pollici) tra l'uno e l'altro. Non posizionare l'unità dove potrebbe essere esposta alla luce solare.
3. Utilizzare la chiave esagonale di sicurezza in dotazione per girare le viti di montaggio **in senso orario** per rimuovere la copertura dall'asciugamani.
4. Usando la mascherina di montaggio in dotazione, contrassegnare sulla parete la posizione dei fori per i bulloni di montaggio. Per pareti con montanti in legno, almeno un foro deve essere inserito in un montante.
5. Fissare la base alla parete, utilizzando il tipo di bulloni suggeriti nella Tabella 3.
6. Ciascun asciugamani deve disporre del proprio circuito dedicato.
7. Collegare l'asciugamani al pannello di distribuzione adeguato più vicino.
8. Rimontare la copertura, girare le viti **in senso antiorario**, accertandosi di non serrarle eccessivamente.

**IMPORTANTE: prima di eseguire l'installazione dell'asciugamani, consultare i regolamenti a livello locale e generale. Accertarsi che la rete elettrica non sia sovraccarica. Eseguire sempre il collegamento a un circuito, protetto mediante fusibile o interruttore automatico, con potenza elettrica nominale conforme ai valori per il modello in dotazione mostrati in Tabella 1 - Caratteristiche elettriche, secondo quanto indicato dalle norme elettriche locali, come ad esempio la NEC (National Electrical Code) o la CEC (Canadian Electrical Code).**

### Tabella 2

Altezze di montaggio consigliate, dal pavimento al fondo dell'asciugamani	cm (pollici)
Bagno per uomini	117 (46)
Bagno per donne	112 (44)
Bagno per bambini (4-7 anni)	81 (32)
Bagno per bambini (7-10 anni)	91 (36)
Bagno per bambini (10-13 anni)	102 (40)
Bagno per bambini (13-17 anni)	112 (44)
Altezza di montaggio per persone affette da handicap	94 (37)

### Tabella 3

Tipo di parete	Tipo di bullone	Lunghezza minima bulloni
Piastrella vuota, graticcio, cartongesso o metallo	Vite da ¼ pollice (M6) o bulloni con dado ad alette espansibili	Secondo lo spessore della parete
Cemento o mattoni, con o senza piastrelle	Bulloni di espansione con perno da ¼ pollice (M6)	76 mm (3 pollici)
Parete con montanti e rinforzo in legno	Viti da legno n. 16 (M8)	70 mm (2,75 pollici)

# Regolazione della velocità della ventola

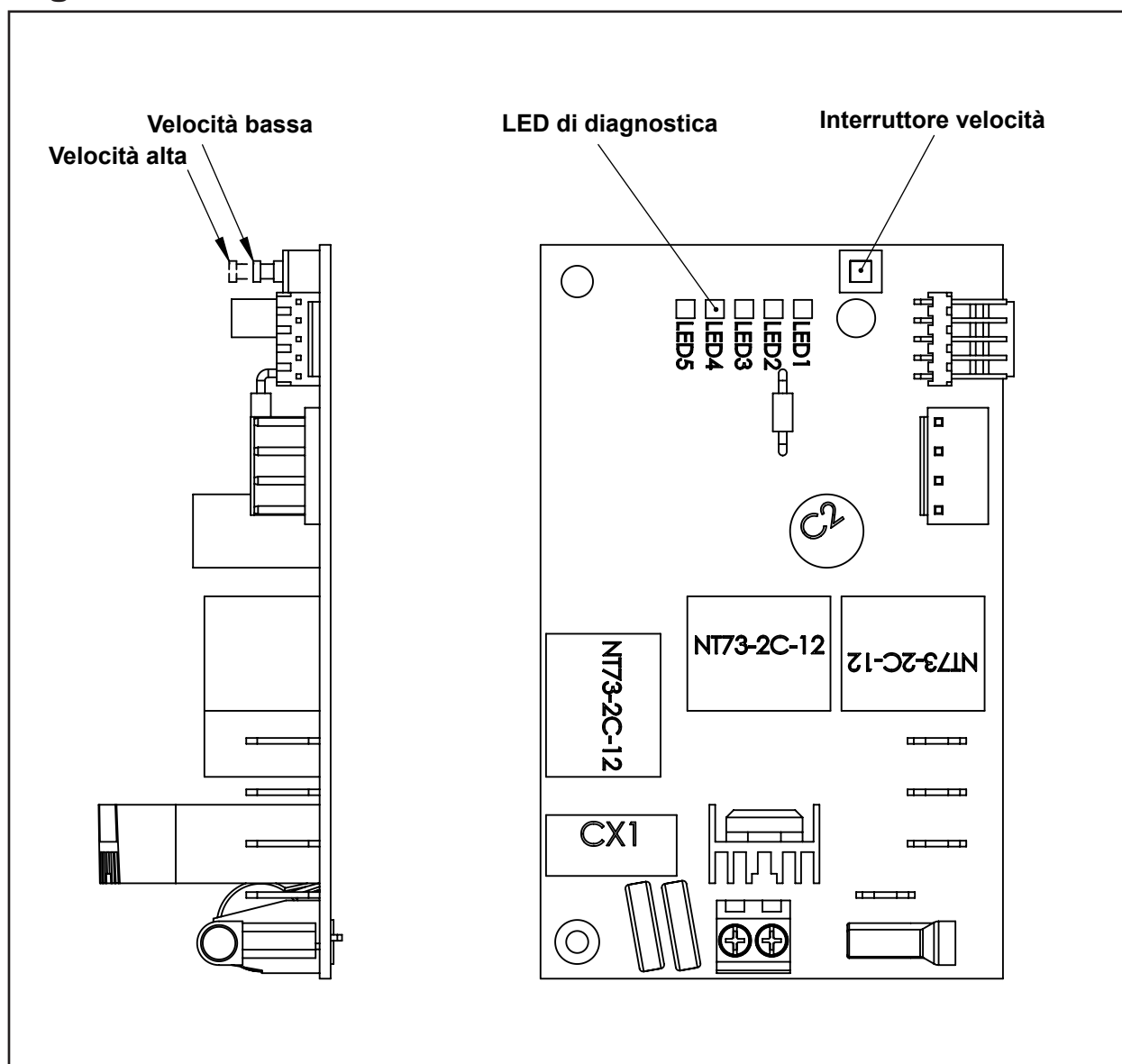
In questi modelli la velocità della ventola può essere regolata su due livelli, alto e basso. L'interruttore si trova sulla scheda all'interno dell'unità, come mostrato nella Figura 1 in basso.

**Nota: L'impostazione predefinita di fabbrica per la velocità della ventola è "Alta".**

Per regolare la velocità della ventola:

1. Scollegare la fonte di alimentazione.
2. Utilizzare la chiave esagonale di sicurezza in dotazione per girare le viti di montaggio **in senso orario** per rimuovere la copertura dall'asciugamani.
3. Individuare l'interruttore sulla scheda all'interno dell'asciugamani come mostrato in Figura 1 in basso, e selezionare la velocità desiderata. (Nota: Se viene selezionata la velocità Basso, il LED 4 sulla scheda si accende ed è blu). Rimontare la copertura dell'asciugamani avvalendosi della chiave esagonale di sicurezza in dotazione per girare le viti di montaggio **in senso antiorario** e serrare fin quando risultano sicure. Non serrare in eccedenza.
4. Collegare nuovamente la fonte di alimentazione.

**Figura 1**





## Elenco parti

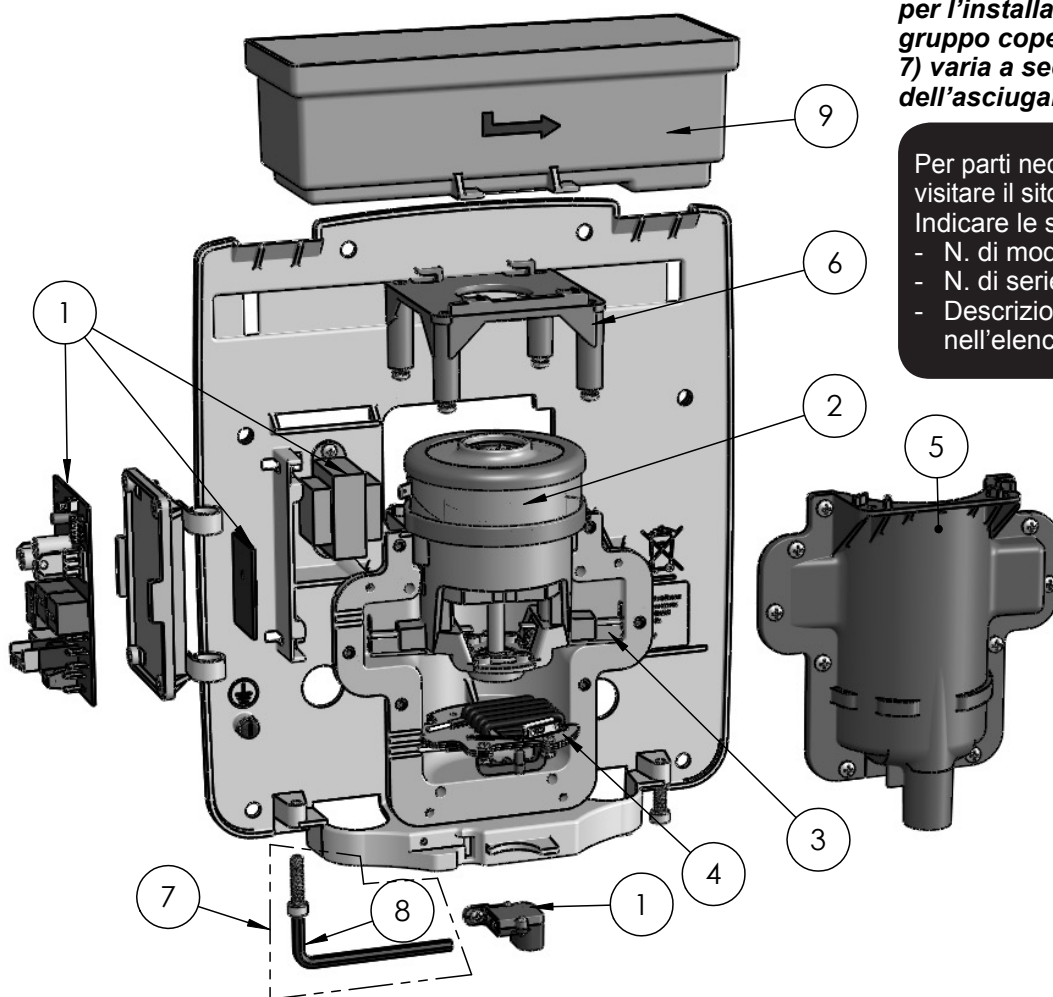
### Elenco parti per la riparazione dell'asciugamani VERDEdri™

*Tutti i kit includono i fissaggi necessari per l'installazione. Il numero di parte per il gruppo copertura (numero di riferimento 7) varia a seconda del numero di modello dell'asciugamani.*

Per parti necessarie per eventuali riparazioni, visitare il sito [www.WorldDryer.com](http://www.WorldDryer.com)

Indicare le seguenti informazioni:

- N. di modello
- N. di serie
- Descrizione della parte e numero riportato nell'elenco parti



#	Descrizione	N. di parte
1	Kit, comandi asciugamani con sensore e trasformatore	16-10283K
2	Kit, motore	32-10268K
3	Kit, spazzole motore	32-10337K
4	Kit, resistenza riscaldante	21-10306K
5	Kit, convogliatore anteriore, con guarnizione	47-10270K
6	Kit, cappuccio motore	47-10297K
7 (non in figura)	Gruppo copertura – alluminio – bianco	20-Q974
	Gruppo copertura – alluminio – Nero	20-Q162
	Gruppo copertura – alluminio – acciaio inox lucidato	20-Q972
	Gruppo copertura – alluminio – acciaio inox spazzolato	20-Q973
7	Kit, viti di sicurezza, inclusa chiave	46-040221K
8	Chiave di sicurezza	56-40189
9	Filtro HEPA (per modelli con filtro HEPA)	93-10292
10	Filtro particelle grossolane (per modelli senza filtro HEPA) (non in figura)	93-10331

## Istruzioni per la manutenzione e la pulizia

**IMPORTANTE:** nell'asciugamani si possono accumulare filaccia e detriti presenti normalmente nell'aria. L'accumulo eccessivo può danneggiare il motore e la resistenza. Si deve pulire l'asciugamani a intervalli regolari per garantirne il corretto funzionamento. In ambienti con utilizzo da leggero a moderato, sarà sufficiente una pulizia annuale. In ambienti con utilizzo più frequente, si consiglia una pulizia ogni 6 mesi.

Per pulire l'asciugamani:

1. Scollegare la fonte di alimentazione.
2. Utilizzare la chiave esagonale di sicurezza in dotazione per girare le viti di montaggio **in senso orario** per rimuovere la copertura dall'asciugamani.
3. Usare un pennello con setole morbide per pulire filaccia, polvere e detriti dalle fessure di ingresso dell'aria e dall'esterno del motore.
4. Al termine, rimontare la copertura dell'asciugamani avvalendosi della chiave esagonale di sicurezza in dotazione per ruotare le viti di montaggio **in senso antiorario** e serrare fin quando risultano sicure. Non serrare in eccedenza.

### Sostituzione del filtro HEPA (per modelli con filtro HEPA)

Il modello specifico in dotazione potrebbe includere un filtro HEPA ad alta efficienza per rimuovere almeno il 99,97% dei materiali contaminanti di dimensioni superiori a 0,3 micron.

La durata del filtro HEPA dipende dall'ambiente in cui viene installato l'asciugamani e dalla frequenza di utilizzo. Il filtro HEPA dovrà essere ispezionato e sostituito più spesso in caso di utilizzo frequente o in bagni con traffico elevato. In ambienti normali o bagno con traffico moderato, ispezionare il filtro HEPA almeno quattro volte all'anno. In ambienti con quantità notevoli di polvere o detriti o in bagno con traffico elevato, si consiglia di ispezionare il filtro HEPA ogni mese. Se l'ispezione a vista del filtro HEPA mostra un accumulo eccessivo di filaccia, polvere e detriti, sostituire il filtro.

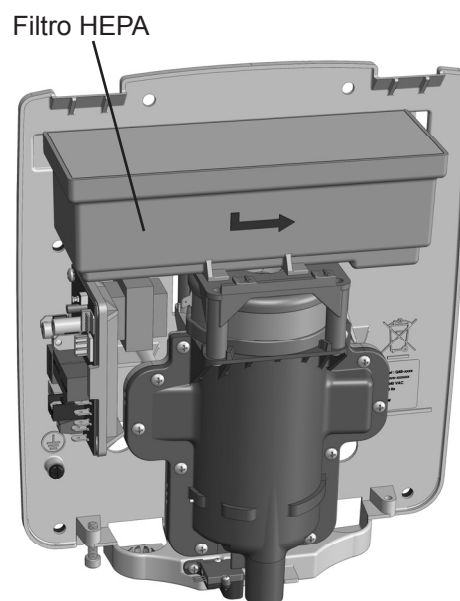
Per mantenere efficienti gli asciugamani, è importante esaminare e sostituire il filtro HEPA a intervalli regolari. L'unità può danneggiarsi se viene usata con un filtro troppo sporco o intasato.

Il filtro HEPA non può essere pulito e riutilizzato. Non pulire il filtro HEPA ed evitare che venga in contatto con l'acqua.

Per ispezionare o sostituire il filtro HEPA:

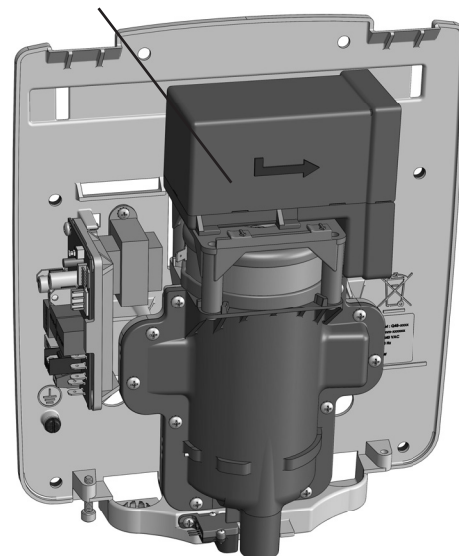
1. Scollegare la fonte di alimentazione.
2. Utilizzare la chiave esagonale di sicurezza in dotazione per girare le viti di montaggio **in senso orario** per rimuovere la copertura dall'asciugamani.
3. Per rimuovere e sostituire il filtro HEPA basta far slittare il filtro lungo il binario di montaggio sul cappuccio del motore.
4. Dopo aver sostituito il filtro HEPA, rimontare la copertura dell'asciugamani avvalendosi della chiave esagonale di sicurezza in dotazione per ruotare le viti di montaggio **in senso antiorario** e serrare fin quando risultano sicure. Non serrare in eccedenza.
5. Collegare nuovamente la fonte di alimentazione.

**Figura 2**



**Modelli con filtro HEPA**

Filtro particelle grossolane



**Modelli senza filtro HEPA**

## Filtro particelle grossolane (per modelli senza filtro HEPA)

L'unità include un filtro per particelle grossolane per evitare danni al motore e all'elemento riscaldante dovuti all'accumulo di filaccia e detriti. La pulizia o la sostituzione del filtro dell'aria a intervalli regolari è necessaria per mantenere l'asciugamani in buone condizioni di funzionamento. In ambienti con utilizzo da leggero a moderato, si consiglia di pulire o sostituire il filtro dell'aria una volta all'anno. In condizioni di forte utilizzo, pulire o sostituire il filtro dell'aria ogni sei mesi. Prima di procedere, leggere le istruzioni nella loro interezza.

Per pulire o sostituire il filtro per particelle grossolane:

1. Scollegare la fonte di alimentazione.
2. Utilizzare la chiave esagonale di sicurezza in dotazione per girare le viti di montaggio **in senso orario** per rimuovere la copertura dall'asciugamani.
3. Rimuovere e sostituire il filtro tirandolo per estrarlo dall'alloggiamento.
4. Per pulire il filtro, rimuoverlo dall'alloggiamento. Usare un pennello semi-morbido da 1,3 cm per eliminare dal filtro filaccia, polvere e detriti. Se non si riesce a pulire completamente il filtro, sostituirlo.
5. Dopo avere inserito il filtro dell'aria nell'alloggiamento, rimontare la copertura dell'asciugamani avvalendosi della chiave esagonale di sicurezza in dotazione per ruotare le viti di montaggio **in senso antiorario** e serrare fin quando risultano sicure. Non serrare in eccedenza.
6. Collegare nuovamente la fonte di alimentazione.

## Visualizzazione dei LED di diagnostica

La scheda include una serie di LED che indicano lo stato dell'asciugamani. Se si contatta il servizio di assistenza tecnica di World Dryer, potrebbe essere necessario rimuovere la copertura dell'asciugamani per fornire lo stato dei LED, utile per risolvere i problemi. Per la posizione dei LED sulla scheda, vedere la Figura 1. Per una spiegazione della funzione dei LED, vedere la Tabella 4.

## Funzioni dei LED di diagnostica

**Tabella 4**

Attività sensore IR	Velocità asciugamani	Rilevata tensione di alimentazione			Indicatore
		LED 3	LED 2	LED 1	
LED 5	LED 4	LED 3	LED 2	LED 1	
		Lampeggiante	Lampeggiante	Lampeggiante	Tensione di alimentazione inferiore a 100 V o maggiore di 255 V.
		Spento	Spento	Rosso	Tensione di alimentazione compresa tra 110 e 120 V.
		Spento	Giallo	Spento	Tensione di alimentazione a 208 V.
		Verde chiaro	Spento	Spento	Tensione di alimentazione a 240 V.
	Blu				Velocità bassa del motore selezionata
Verde (fisso)					Il sensore IR rileva le mani o un oggetto nella zona di rilevamento
Verde lampeggiante					In modalità di bloccaggio anti-vandalismo (verificare che il sensore non sia ostruito)

## Tabella per l'individuazione e la soluzione dei problemi

L'asciugamani non si accende.	Alimentazione in ingresso	Rimuovere la copertura e ispezionare i LED diagnostici. Se sono tutti spenti, controllare l'alimentazione presso l'interruttore automatico o il fusibile.
	Scheda difettosa	Se i LED indicati in precedenza sono spenti e la scheda è attiva, sostituire la scheda e il trasformatore.
	Sensore ostruito	Se il LED 5 è acceso o lampeggia (verde) <b>quando le mani non sono sotto al sensore</b> , controllare la lente del sensore per verificare che non siano presenti materiali estranei o sporczia. Pulire la lente con un panno morbido inumidito e detergente delicato.
	Sensore guasto	Se il LED 5 non si accende quanto le mani si trovano sotto il sensore, sostituire la scheda e il sensore.
	Spazzole del motore al termine della vita utile	Controllare le spazzole del motore e se necessario sostituirle.
	Elemento riscaldante difettoso ( <b>Importante:</b> solo se l'unità è collegata a una tensione di alimentazione da 208 – 240 V.)	Se l'asciugamani è collegato a 208 – 240 V, e sono stati controllati l'alimentazione elettrica e tutte le altre cause possibili, sostituire l'elemento riscaldante.
Asciugamani troppo rumoroso	Impostazione velocità asciugamani	Selezionare la velocità bassa per la ventola. Vedere pagina 4. Durante il funzionamento a bassa velocità, il LED 4 si accende (blu) quando le mani sono sotto il sensore.
La temperatura dell'aria è troppo bassa. Il calore dell'asciugamani è intermittente o si accende e si spegne durante un ciclo di asciugatura. La velocità dell'asciugamani varia durante un ciclo di asciugatura.	Elemento riscaldante difettoso ( <b>Importante:</b> solo se l'unità è collegata a una tensione di alimentazione da 120V.)	Sostituire l'elemento riscaldante.
L'asciugamani si attiva per pochi secondi, quindi si spegne. L'asciugamani non si attiva ogni volta. Rumore di scarica elettrica durante il funzionamento. Odore strano (ozono) durante il funzionamento.	Spazzole del motore al termine della vita utile	Controllare le spazzole del motore e se necessario sostituirle.
	Elemento riscaldante difettoso ( <b>Importante:</b> solo se l'unità è collegata a una tensione di alimentazione da 208 – 240 V.)	Sostituire l'elemento riscaldante.

## Garanzia limitata

**GARANZIA WORLD LIMITATA DI CINQUE ANNI.** I modelli di asciugamani elettrici World illustrati in questo manuale vengono garantiti dalla World Dryer Corporation all'utente originale privi da difetti di manodopera o materiale in condizioni di utilizzo regolare per 5 anni dalla data dell'acquisto, escluso il normale logorio dell'unità e materiali di consumo quali i filtri HEPA, le spazzole del motore, ecc. Qualsiasi parte considerata difettosa per materiale o manodopera e restituita ad un centro per riparazioni autorizzato, designato da World, con costi di spedizione pre-pagati, verrà, come esclusivo rimedio, riparata o sostituita a discrezione della World. Per le procedure di reclamo coperte dalla garanzia limitata, consultare la sezione INTERVENTO IMMEDIATO di cui sotto. Questa garanzia limitata offre agli acquirenti diritti specifici che variano da una giurisdizione all'altra.

**LIMITAZIONE DI RESPONSABILITÀ.** Nella misura in cui contemplato dalle leggi vigenti, la responsabilità World in caso di danni indiretti o fortuiti viene espressamente rifiutata. In tutti i casi la responsabilità della World è limitata al prezzo pagato per l'acquisto e non lo supererà.

**ESCLUSIONE GARANZIA.** World si è impegnata ad offrire informazioni sul prodotto e ad illustrare con cura i prodotti contenuti in questa documentazione; tuttavia, tali informazioni e illustrazioni sono a solo scopo di identificazione e non indicano o implicano espressamente garanzia che i prodotti sono COMMERCIALI O IDONEI PER UNO SCOPO PARTICOLARE, o che i prodotti saranno necessariamente conformi alle illustrazioni o descrizioni. Fatta eccezione per quanto descritto di seguito, nessuna garanzia o affermazione, espressa o implicita, è non quella indicata nella "GARANZIA LIMITATA" di cui sopra, viene effettuata o autorizzata da World.

**IDONEITÀ DEL PRODOTTO.** In molte giurisdizioni sono in vigore norme e regolamenti che governano vendite, costruzione, installazione e/o utilizzo dei prodotti per scopi specifici, che possono variare da quelli in aree adiacenti. Sebbene World tenti di garantire che i prodotti siano conformi a tali norme, non può garantire la conformità e non potrà essere ritenuta responsabile dell'installazione o dell'utilizzo dei prodotti stessi. Prima di acquistare e utilizzare un prodotto, verificarne l'applicazione, unitamente a tutte le norme ed i regolamenti di pertinenza e vigenti a livello nazionale e locale, accertandosi che il prodotto, l'installazione e l'utilizzo siano conformi a quanto previsto. Taluni aspetti delle dichiarazioni non riguardano i prodotti per consumatori; ad esempio, (a) alcune giurisdizioni non consentono l'esclusione o la limitazione di danni incidentali o conseguenti, quindi la limitazione o esclusione di cui sopra potrebbe non essere applicabile; (b) inoltre, alcune giurisdizioni non consentono di limitare la durata di una garanzia implicita e di conseguenza la limitazione di cui sopra potrebbe non essere applicabile; infine (c) secondo le leggi vigenti durante il periodo di questa Garanzia Limitata e delle garanzie implicite di commerciabilità o idoneità implicita per uno scopo particolare riguardanti prodotti per consumatori acquistati da consumatori, potrebbero non essere escluse o altresì rifiutate. Fabbricato da World Dryer Corporation, Berkeley, Illinois 60163 U.S.A.

**INTERVENTO IMMEDIATO.** World si impegna ad apportare correzioni immediate o altre modifiche ritenute necessarie per qualsiasi prodotto ritenuto difettoso durante il periodo della Garanzia Limitata. Per qualsiasi prodotto ritenuto difettoso durante il periodo della Garanzia Limitata, informare dapprima (per iscritto o per telefono) il concessionario presso cui si è effettuato l'acquisto. Il concessionario fornirà istruzioni in merito. Qualora non si sia soddisfatti del rimedio proposto, rivolgersi per iscritto a World all'indirizzo di cui sotto, indicando il nome del concessionario, l'indirizzo, la data ed il numero della fattura emessa dal concessionario, descrivendo infine la natura del difetto. Titolo e rischio di perdita passano all'acquirente alla consegna allo spedizioniere. Qualora il prodotto riporti danni durante il transito all'acquirente, esporre reclamo al trasportatore.