

808744 - Wolf 30'' (762) Microwave Trim Kit Installation Instructions

⚠ WARNING

TO AVOID ELECTRICAL SHOCK, SHUT OFF POWER BEFORE BEGINING INSTALLATION.

⚠ CAUTION

This kit includes metal parts that have sharp edges, handle with care to avoid possible injury.

NOTE: This Microwave trim kit is designed only for Wolf Microwave Ovens specifying 801527, 807056 or 808744 on rating label on the left side wall of oven cavity.

NOTE: Before begining remove turn table from microwave cavity.

CONTAINS:

| QTY | DESCRIPTION | QTY | DESCRIPTION |
|-----|---------------------------|-----|--------------------------------|
| 1 | Ductwork, MW24 | 4 | Self Tapping Screw - #8-18x1/2 |
| 2 | Screw, #8-15x1/2 Truss Hd | 1 | Mtg Brkt, RT - MW |
| 1 | Assembled Trim Kit | 1 | Mtg Brkt, LT - MW |
| 6 | 6-18x1 Tpg Screw Type A | 1 | Installation Instructions |
| 2 | Trim, MW24 Polycarbonate | | |

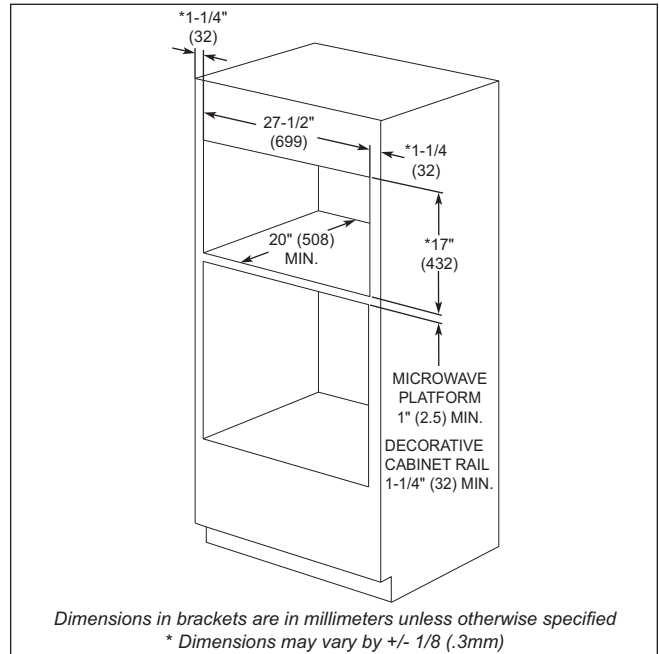
The Wolf Microwave Trim Kit (MWTRIM/5) is used only with the Wolf Microwave Model MW24. This model can also be installed above a Wolf SO30.

The cabinet or wall opening must be the following dimensions:

Height: 17" (432)
Width: 27-1/2" (699)
Depth: 20" (508) min.

INSTALLATION PROCEDURE:

1. Locate properly grounded 3-prong receptacle 4" (102) from right side and 4" (102) up from bottom of microwave oven cabinet (See Cabinet Dimensions).
NOTE: You must have a properly grounded, 3-prong outlet installed by a qualified electrician. Do not use a GFCI outlet, as this may cause product operation interruptions.
2. The floor of the opening should be constructed of plywood strong enough to support weight of oven and floor load (about 100lbs./ 45 kg). The floor should be level for proper operation of oven.
NOTE: Be sure to check local building code as it may require that the opening be enclosed with sides, ceiling and rear partition. The proper functioning of the oven does not require the enclosure.



Cabinet Dimensions

808744 - Wolf 30'' (762) Microwave Trim Kit Installation Instructions

3. Locate mounting brackets. Pre-drill pilot holes before installing screws to avoid damage to cabinet or trim kit hardware. Attach mounting brackets with supplied screws, making sure brackets do not extend beyond front surface of cabinet (See Figure 1).
4. Center exhaust duct assembly in opening. When centered correctly, its flanges will be tightly against lower front edge of opening. Secure with mounting screws (See Figure 2).
5. Place oven adjacent to wall or cabinet opening, then plug power supply cord into electrical outlet.
6. Carefully guide oven into opening. Slide oven onto exhaust duct assembly.
NOTE: Avoid pinching power cord between oven and wall.
7. Position frame assembly to be square with oven. Carefully place frame assembly on oven. Check that it is level (See Figure 3).
8. Secure frame assembly with mounting screws (See Figure 4).
9. Snap the polycarbonate trim pieces into place covering the screw holes.

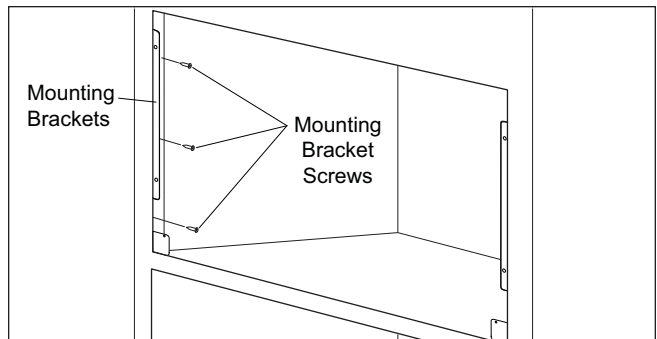


Figure 1. Mounting Brackets

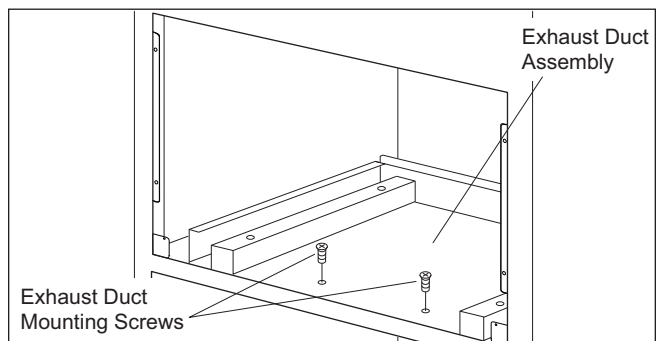


Figure 2. Exhaust Duct Assembly

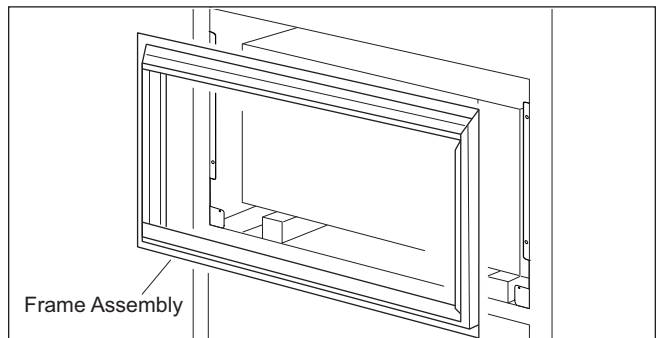


Figure 3. Frame Assembly

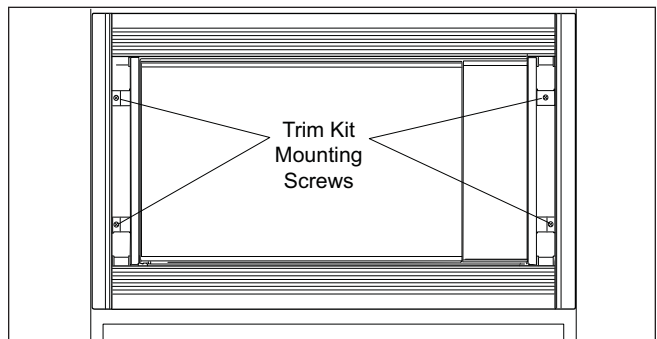


Figure 4. Trim Kit Screws