



24" E Series Oven

Use and Care Guide

CLEANING, MAINTENANCE,
AND MORE



Contents

3	24" E Series Oven
4	Safety Precautions
6	24" E Series Oven Features
7	Oven Operation
15	Care Recommendations
17	Troubleshooting
19	Wolf Warranty

Customer Care

The model and serial number are printed on the enclosed product registration card. Both numbers are also listed on the product rating plate. Refer to page 6 for rating plate location. For warranty purposes, you will also need the date of installation and name of your authorized Wolf dealer. Record this information below for future reference.

SERVICE INFORMATION

Model Number	_____
Serial Number	_____
Date of Installation	_____
Certified Service Name	_____
Certified Service Number	_____
Authorized Dealer	_____
Dealer Number	_____

If your product ever needs attention, be sure to use a Wolf Factory Certified Service provider recommended by our Customer Care Center, or select one from our list of providers available at wolfappliance.com/locator. All Factory Certified Service providers are carefully selected and thoroughly trained by us.

Important Note

To ensure this product is installed and operated as safely and efficiently as possible, take note of the following types of highlighted information throughout this guide:

IMPORTANT NOTE highlights information that is especially important.

⚠ CAUTION

Indicates a situation where minor injury or product damage may occur if instructions are not followed.

⚠ WARNING

States a hazard that may cause serious injury or death if precautions are not followed.

IMPORTANT NOTE: Throughout this guide, dimensions in parentheses are millimeters unless otherwise specified.

IMPORTANT INSTRUCTIONS

GENERAL SAFETY PRECAUTIONS

- Read this guide carefully before using this appliance to reduce risk of fire, electric shock, or injury.
- This appliance must be properly installed and serviced by a qualified installer or service agency and grounded by a qualified technician.
- Clean only those parts listed in this guide.
- Do not use oven cleaners. No commercial oven cleaner or oven liner protective coating of any kind should be used in or around any part of the oven.
- Do not touch heating elements or interior surfaces of oven. Heating elements may be hot even though they are dark in color. Interior surfaces become hot enough to cause burns. During and after use, do not touch or let clothing or other flammable materials contact heating elements or interior surfaces of the oven until they have had sufficient time to cool. Other surfaces of the appliance may become hot enough to cause burns (for example, oven vent openings and surfaces near these openings, oven doors, and windows of oven doors).
- Exercise caution when opening the oven door. Let hot air or steam escape before looking or reaching into the oven.
- Be sure that the oven cool air intake (located below the door) and oven exhaust vent (located above the door) are unobstructed at all times.
- Always use dry pot holders when removing pans from this appliance. Wet or damp pot holders can cause steam burns. Do not use a towel or bulky cloth in place of pot holders.
- Position oven racks in the desired locations when the oven is cool. If a rack must be repositioned after the oven is already hot, be sure the pot holder does not contact a hot heating element in the oven.
- Do not repair or replace any part of this appliance unless specifically recommended in literature accompanying this appliance.
- Do not use aluminum foil to line any part of this appliance.
- Never use this appliance to warm or heat the room.
- Do not use water on grease fires. Smother the flame or use a dry chemical or foam-type extinguisher.
- Do not leave children alone or unattended in the area where this appliance is in use. Never allow children to sit or stand on the appliance.
- Do not store items of interest to children above or at the back of this appliance, as they could climb on the appliance to reach items and be injured.

IMPORTANT INSTRUCTIONS

GENERAL SAFETY PRECAUTIONS

- Do not heat unopened food containers, such as baby food jars and cans. Pressure build-up may cause the container to burst and cause injury.
- Do not store or use gasoline or other flammable vapors and liquids in the vicinity of this or any other appliance.
- Do not clean the oven gasket; rubbing or moving the gasket may compromise the door seal.
- Wear proper apparel. Loose-fitting or hanging garments should never be worn while using this appliance.
- During use the appliance becomes hot. Care should be taken to avoid touching heating elements inside the oven.
- Do not use harsh abrasive cleaners or sharp metal scrapers to clean the oven door glass.
- Only use the temperature probe recommended for this oven.
- Do not use a steam cleaner to clean the appliance.
- Before starting the Clean cycle, excess spillage must be removed from the oven cavity.

⚠ CAUTION

Before using Clean, remove enameled broiler pan, oven racks, oven rack guides, and any other utensils.

⚠ WARNING

Accessible parts may become hot during use. Young children should be kept away.

⚠ WARNING

Ensure that the appliance is switched off or unplugged before replacing the lamp to avoid the possibility of electric shock.

⚠ WARNING

PROPOSITION 65 FOR CALIFORNIA RESIDENTS

**Cancer and Reproductive Harm—
www.P65Warnings.ca.gov**

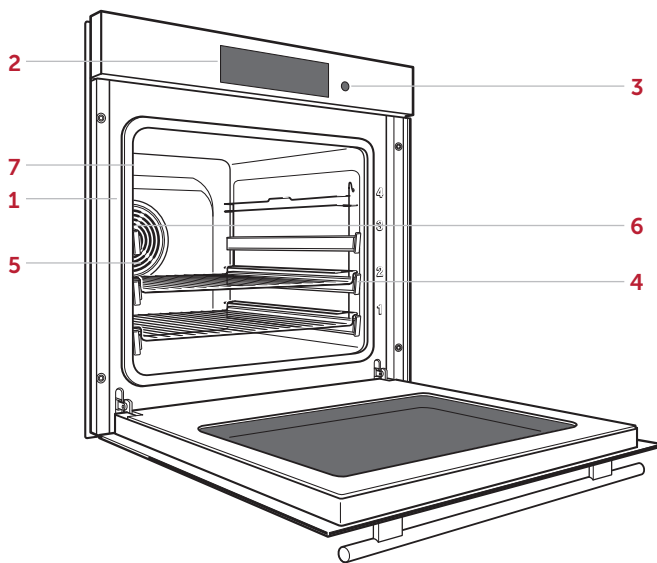
SAVE THESE INSTRUCTIONS

24" E Series Oven Features

24" E Series Oven Features

FEATURES

- | | |
|---|------------------------------|
| 1 | Product Rating Plate |
| 2 | Touchscreen |
| 3 | All Off Button |
| 4 | Adjustable Oven Racks |
| 5 | Convection Fan |
| 6 | Temperature Probe Receptacle |
| 7 | LED Lighting |



24" E Series Oven

Getting Started

We know you are eager to start cooking, but before you do, please take some time to read this use and care guide. Whether you are an occasional cook or an expert chef, it will be to your benefit to familiarize yourself with the safety practices, features, operation, and care recommendations of your Wolf E Series Oven.

Prior to Use

Follow the steps below to ensure all residual oil from the manufacturing process has been removed.

Prior to Use:



- 1 Clean the oven thoroughly with hot water and a mild detergent.
- 2 Rinse and dry with a soft cloth.
- 3 Turn on kitchen ventilation. Some smoke and odor is normal.
- 4 Select the desired language, date, clock, temperature units, and initiate the burn-in process. The burn-in process takes approximately 30 minutes.

Oven Operation


Touchscreen

The touchscreen utilizes touch technology to select modes and other functions. Refer to the illustration below. To turn on the touchscreen, touch and hold for 2 seconds.

To reposition modes, press and hold the mode on the touchscreen, then move to the desired location. If an existing mode is in the desired location, it must be repositioned first.

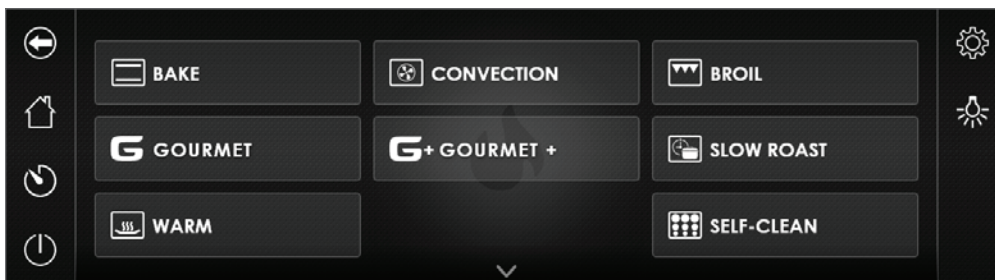
Touch  to go back or touch  to return to the home screen.

Extended Options

Touch  to access the extended options, then touch the desired option. Follow the instructions on the touchscreen.

SETTING OPTIONS

Language	Select: English, Spanish, French, Italian, German, Dutch, or Chinese.
Display Lock	Lock touchscreen for cleaning.
Display	Select brightness and standby screen.
Sound	Select quiet mode, touch screen pitch, keypad volume, and feedback tones.
Individual Settings	Select temperature units and turn Sabbath on or off.
Assistance Functions	Select illumination and preheat tone.
Date and Clock	Set date and select 12 hour or 24 hour.
Appliance Information	Access product information.
Factory Settings	Reset to factory settings.
Service	For service only.




Home screen

Oven Operation

Modes

Selecting a Mode:


- 1 Select the desired mode, then touch Ok.
- 2 Touch Start to select the preset temperature or touch the preset temperature and use the number pad to input the desired temperature.
- 3 Touch Set.
- 4 Touch Start.
- 5 Touch Stop to end operation. "The operation has finished. Do you want to proceed with a subsequent step?" appears on the touchscreen (not available for all modes).

Subsequent modes are intended to continue cooking with the previous operation or to brown the top of food. Touch Yes to add a subsequent step, or touch No to return to the home screen. To turn off the oven, touch and hold .

FAVORITES

Commonly used modes or foods can be saved for easy access. Up to 50 favorites can be stored at a time.

Creating a Favorite:

- 1 Select the desired mode and temperature.
- 2 Touch .
- 3 Use the keypad to enter a name.
- 4 Touch Set.

Modifying a Favorite:

- 1 Touch the desired Favorite.
- 2 To modify the name, touch the name field. To modify all other settings, touch Change.
- 3 Use the keypad to modify, then touch Set.
- 4 To delete a favorite, touch Delete.

Options

Timed Cook: Set a timed cook or delayed start.

Preheat: Pulses the oven light 3 times and provides a message on the touchscreen when preheat is complete (not available on all modes).

Food Probe Temperature: Set food probe temperature.

Auto Program

TIMED COOK

Timed Cook automatically turns the oven off at a specified time. The oven begins to heat immediately and turns off at the desired stop time. If preheat is required, the preheat time must be accounted for when determining the cooking duration. The clock must be set to the correct time to function properly. Use in any cooking mode except Gourmet+.

Setting Controls:

- 1 Select the desired cooking mode and temperature.
- 2 Touch Options.
- 3 Touch Timed Cook.
- 4 Enter the desired cooking duration, then touch Set.
- 5 Touch Ok, then touch Start.
- 6 The oven turns off automatically when the cook time is complete.

DELAYED START

Delayed start automatically turns the oven on and off at specified times. The oven remains idle until the desired start time and turns off at the desired stop time. If preheat is required, the preheat time must be accounted for when determining the cooking duration. The clock must be set to the correct time to function properly. Use in any cooking mode except Warm.

Setting Controls:

- 1 Select the desired cooking mode and temperature.
- 2 Touch Options.
- 3 Touch Timed Cook.
- 4 Enter the desired stop time and cooking duration, then touch Set.
- 5 Touch Ok, then touch Start.
- 6 The oven turns off automatically when the cook time is complete.


Oven Operation

Oven Operation

TIMER


The timer can be set for a maximum of 99 hours and 59 minutes. Once the timer is set, the countdown appears on the touchscreen. The timer is independent from the oven. Setting the timer does not affect cook time or stop time.

Setting Timer:

- 1 Touch .
- 2 Use the keypad to enter the desired time.
- 3 Touch Start.
- 4 To stop or adjust the timer, touch the countdown timer on the touchscreen. Enter the desired time, then touch Start. To stop the timer, touch Stop.

SABBATH

Setting controls:

- 1 Touch .
- 2 Touch Individual Settings.
- 3 Touch Sabbath Mode.
- 4 Touch On or Off.

When On, Sabbath Mode appears on the touchscreen. Select between Sabbath Bake and Sabbath Bake Humid. The oven remains on for up to 78 hours while in Sabbath Mode.

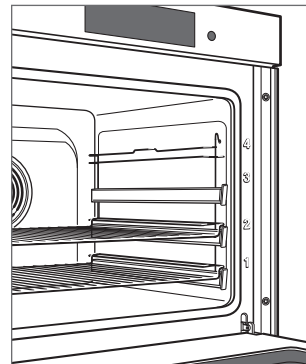
OVEN RACK POSITION

The oven racks can be placed in any of the four positions labeled on the front face of the oven. Refer to the illustration below. Rack positions 1–3 are full-extension and rack position 4 is standard. Verify the full-extension racks are pushed all the way back before closing the door.

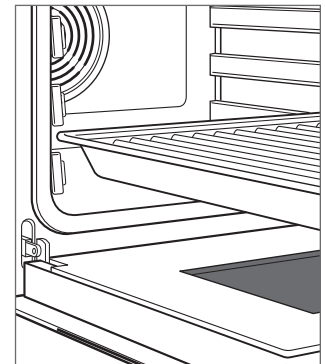
OVEN PAN PLACEMENT

Insert the pans with the angled side toward the back. Refer to the illustration below.

IMPORTANT NOTE: Use the stainless steel pans for temperatures below 300°F (150°C). Use the enameled broiler pan for temperatures above 300°F (150°C).



Oven rack position



Oven pan placement

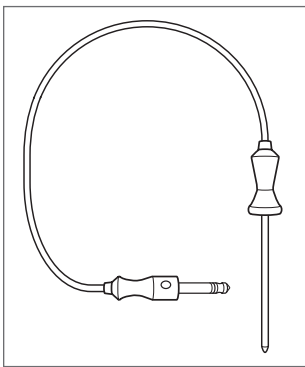
Oven Operation

TEMPERATURE PROBE

Use only the black temperature probe shipped with this appliance. Refer to the illustration below. The temperature probe measures the internal temperature of food while cooking. It can be used with all cooking modes except Gourmet+ and Warm. When the temperature probe is installed, the actual probe temperature is displayed.

⚠ CAUTION

Use only the probe shipped with this oven. Do not use a probe from any other appliance.



Temperature probe

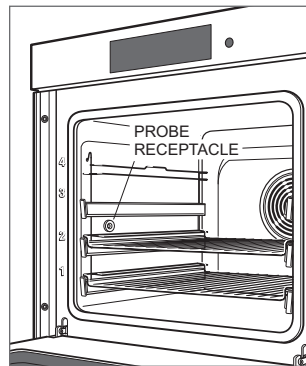
Setting controls:

- 1 Insert the probe into the thickest area of food.
- 2 Place the food in the oven and insert the connector into the receptacle. Refer to the illustration below.
- 3 Select the desired cooking mode.
- 4 Touch Options, then touch Probe Temperature.
- 5 Use the number pad to enter the desired temperature.
- 6 Touch Set.

The probe set point appears on the touchscreen next to the actual probe temperature. To adjust the probe temperature, repeat steps 4–6.

⚠ CAUTION














The probe and probe receptacle will be very hot. Handle with care.



Probe receptacle

Oven Operation

Cooking Modes

MODE	ICON	RANGE	DESCRIPTION
Convection		90–535°F	Evenly cooks and browns food while reducing cook time. Enables multi-rack cooking.
Convection Humid		90–480°F	Oven seals to retain moisture and uses convection. Ideal for quick breads and casseroles.
Convection Bake		90–535°F	The bake element cooks food while the convection fan circulates hot air to brown and crisp.
Broil*		Low, Medium, High	Uses broil element to intensely sear and brown food.
Convection Broil		90–535°F	Uses broil element and convection to sear, brown, and crisp.
Bake		90–535°F	Cooking space is heated by top and bottom elements. Standard operating mode for cooking and baking on a single rack.
Bake Humid		90–480°F	Uses bake and broil elements. Oven seals to retain moisture. For quick breads and casseroles.
Slow Cook		Low, Medium, High	Uses the bake element to create slow cooker results. Best when used with heavy-bottomed cookware.
Gourmet		–	Provides recommendations for cooking mode and rack position for select foods. Temperature and cook time are dependent on desired doneness.
Gourmet+		–	Optimizes cook time, temperature, and humidity throughout the cooking cycle to automatically cook select foods.
Slow Roast†		–	Automatically roasts food, optimizing to selected doneness and desired completion time.
Warm		140–210°F	Uses convection to keep cooked, hot food warm.
Self-Clean		Light, Medium, Heavy	For routine oven cleaning.

*Allow to preheat for three minutes. †Probe required to automatically adjust cook time and temperature.

Cooking Modes

GOURMET

Gourmet provides a variety of quick and convenient meal preparations. Gourmet also provides recommendations for ideal rack positions and tips to ensure cooking confidence.

FOOD

Baked Dishes and Gratins

Bakery Products

Fish and Seafood

Fruit and Berries

Meat

Poultry

Sides

Vegetables

Setting Gourmet:

- 1 Touch **G**.
- 2 Touch the desired food.
- 3 Follow the instructions on the touchscreen.
- 4 Touch Set, then touch Start.

GOURMET+

Use Gourmet+ to prepare any of the foods listed below, fresh or refrigerated. Select the food and desired doneness, and the sensor automatically adjusts time, temperature, and humidity so no baking instructions are required.

FOOD

Fresh Appetizers

Braided Bread

Bread

Gratin

Pie

Fresh Pizza

Setting Gourmet+:

- 1 Touch **G+**.
- 2 Touch the desired food.
- 3 Follow the instructions on the touchscreen.
- 4 Touch Set, then touch Start.


Clean

During Clean, the oven is heated to an extremely high temperature to burn off food soil. Remove the oven racks and rack guides. They will discolor if left in during Clean.

The duration of the Clean cycle is adjustable for the level of cooking residue. For light soil, the duration of the cleaning cycle is 1.5 hours and 2 hours for heavy soil. The complete cycle lasts up to 5 hours including cool down.

Setting Clean:

- 1 Touch Self-Clean.
- 2 Select the appropriate soil level, then touch Start.
- 3 Remove all objects and accessories from the oven interior, then touch Ok.
- 4 Open and close the door to begin the cycle.

To cancel Clean mode at any time, touch . The oven door locks and remains locked until the Clean cycle is complete and the oven temperature has cooled below 570°F (300°C).

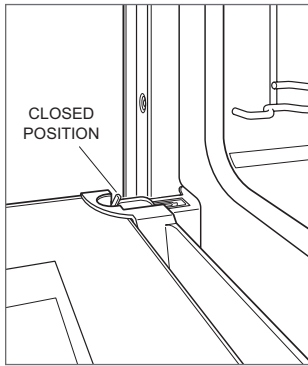
Care Recommendations

OVEN DOOR REMOVAL

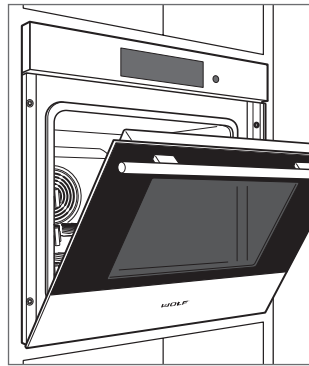
The oven door can be removed for a thorough cleaning.

To remove, open the oven door completely. Rotate both hinge latches forward to the open position. Close the door to approximately 30° open, then lift up and out. Refer to the illustrations below.

To reinstall, insert door hinges into the frame openings. Open the oven door completely and rotate both hinge latches back to the closed position.



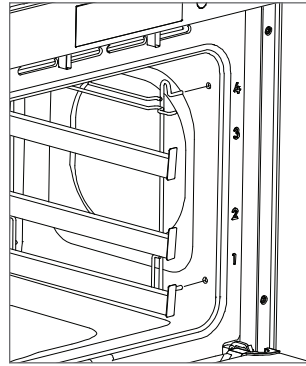
Oven door hinge latch



Door open 30°

RACK GUIDE REMOVAL

To remove rack guides, rotate the rack guide inward, then pull forward. Refer to the illustration below.



Rack guide removal

Care Recommendations

Care Recommendations

CLEANING

Stainless steel	Use a nonabrasive stainless steel cleaner and apply with a soft lint-free cloth. To bring out the natural luster, lightly wipe the surface with a water-dampened microfiber cloth followed by a dry polishing chamois. Always follow the grain of stainless steel.
Door front	Spray glass cleaner on a cloth to clean.
Touchscreen	Use a spray degreaser to remove fingerprints and food soil. Spray on a cloth before wiping the touchscreen. Do not spray cleaners directly onto the touchscreen.
Interior	For light cleaning, remove any cooking debris while the oven is still warm using a soft cloth dampened with water and a mild detergent. Wipe dry with a soft cloth.
Rack guides	Remove and place on a flat surface near the sink. Clean with hot water and mild detergent or paste of baking soda and water. Do not immerse in water or use a degreaser. Towel dry.
Oven racks and stainless steel pans	The oven racks and stainless steel pans can be cleaned in the dishwasher.
Temperature probe	Wipe with a cloth and water. Mild detergent may be used for tough stains. Do not submerge the probe in water or clean in the dishwasher.
Enameled broiler pan	Clean with hot water and mild detergent or paste of baking soda and water.

Troubleshooting

OPERATION

Oven does not operate.

- Verify power is on.
- Verify electrical power to the oven and home circuit breaker is on.

Oven temperature issue.

- Contact Wolf Customer Care at 800-222-7820 for recommendations.

Oven makes sounds during operation.

- The oven may emit switching sounds during operation. Such sounds are normal.

Oven pans are difficult to remove.

- Some combinations of heat, moisture, and food placement may cause oven pans to warp. Pans will return to their original shape when cool.

Service

- Maintain the quality built into your product by contacting Wolf Factory Certified Service. For the name of the nearest Wolf Factory Certified Service, check the Product Support section of our website, wolfappliance.com, or call Wolf Customer Care at 800-222-7820.
- When contacting service, you will need the model and serial number of your product. Both numbers are listed on the product rating plate. Refer to page 6 for rating plate location.
- For warranty purposes, you will also need the date of installation and name of your authorized Wolf dealer. This information should be recorded on page 3.

Wolf Appliance Residential Limited Warranty

FOR RESIDENTIAL USE

FULL TWO YEAR WARRANTY*

For two years from the date of original installation, this Wolf Appliance product warranty covers all parts and labor to repair or replace, under normal residential use, any part of the product that proves to be defective in materials or workmanship. All service provided by Wolf Appliance under the above warranty must be performed by Wolf Factory Certified Service, unless otherwise specified by Wolf Appliance, Inc. Service will be provided during normal business hours.

LIMITED FIVE YEAR WARRANTY

For five years from the date of original installation, Wolf Appliance will repair or replace the following parts that prove to be defective in materials or workmanship: gas burners (excludes appearance), electric heating elements, blower motors (ventilation hoods), electronic control boards, magnetron tubes and induction generators. If the owner uses Wolf Factory Certified Service, the service provider will repair or replace these parts with the owner paying for all other costs, including labor. If the owner uses non-certified service, the owner must contact Wolf Appliance, Inc. (using the information below) to receive repaired or replacement parts. Wolf Appliance will not reimburse the owner for parts purchased from non-certified service or other sources.

TERMS APPLICABLE TO EACH WARRANTY

The warranty applies only to products installed for normal residential use. The warranty applies only to products installed in any one of the fifty states of the United States, the District of Columbia or the ten provinces of Canada. This warranty does not cover any parts or labor to correct any defect caused by negligence, accident or improper use, maintenance, installation, service or repair.

THE REMEDIES DESCRIBED ABOVE FOR EACH WARRANTY ARE THE ONLY ONES THAT WOLF APPLIANCE, INC. WILL PROVIDE, EITHER UNDER THIS WARRANTY OR UNDER ANY WARRANTY ARISING BY OPERATION OF LAW. WOLF APPLIANCE, INC. WILL NOT BE RESPONSIBLE FOR ANY CONSEQUENTIAL OR INCIDENTAL DAMAGES ARISING FROM THE BREACH OF THIS WARRANTY OR ANY OTHER WARRANTY, WHETHER EXPRESS, IMPLIED OR STATUTORY.

Some states do not allow the exclusion or limitation of incidental or consequential damages, so the above limitation or exclusion may not apply to you. This warranty gives you specific legal rights and you may also have other legal rights that vary from state to state.

To receive parts and/or service and the name of Wolf Factory Certified Service nearest you, contact Wolf Appliance, Inc., P.O. Box 44848, Madison, WI 53744; check the Product Support section of our website, wolfappliance.com, email us at customerservice@subzero.com or call 800-222-7820.

*Stainless steel (doors, panels, handles, product frames and interior surfaces) are covered by a limited 60-day parts and labor warranty for cosmetic defects.

*Replacement filters for ventilation hood recirculating kits are not covered by the product warranty.



Contenido

- 3** Horno de la serie E de 24"
- 4** Precauciones de seguridad
- 6** Características de los hornos de la serie E de 24"
- 7** Funcionamiento del horno
- 15** Recomendaciones para el cuidado
- 17** Solución de problemas
- 19** Garantía Wolf

Atención al cliente

El modelo y número de serie están impresos en la tarjeta de registro del producto adjunta. Ambos números también aparecen en la placa de datos del producto. Consulte en la página 6 la ubicación de la placa de datos. Para fines de la garantía, también necesitará la fecha de instalación y el nombre de su distribuidor autorizado de Wolf. Guarde la siguiente información para consultas posteriores.

INFORMACIÓN DE SERVICIO

Número de modelo

Número de serie

Fecha de la instalación

Nombre de servicio certificado

Número de servicio certificado

Distribuidor autorizado

Número de distribuidor

Si su producto alguna vez necesita servicio, asegúrese de acudir a un proveedor de servicio certificado de fábrica de Wolf recomendado por nuestro centro de atención al cliente o seleccione uno de nuestra lista de proveedores en wolfappliance.com/locator. Nosotros cuidadosamente seleccionamos y rigurosamente capacitamos a todos los proveedores de servicios certificados.

Aviso importante

Para garantizar que este producto se instale y opere de la forma más segura y eficiente posible, tome nota de los siguientes tipos de información resaltada en este manual:

AVISO IMPORTANTE señala la información que es especialmente importante.

⚠ PRECAUCIÓN

Indica una situación en la que se pueden sufrir lesiones leves o provocar daños al producto, si no se siguen las instrucciones.

⚠ ADVERTENCIA

Indica peligro de que se produzcan heridas graves o incluso la muerte si no se siguen las precauciones.

AVISO IMPORTANTE: En toda esta guía, las dimensiones entre paréntesis son milímetros, a menos que se especifique lo contrario.

INSTRUCCIONES IMPORTANTES

PRECAUCIONES GENERALES DE SEGURIDAD

- Lea este manual con atención antes de usar este electrodoméstico para reducir el riesgo de incendio, descarga eléctrica o lesiones.
- Un técnico calificado o una agencia de servicio deben instalar y reparar este electrodoméstico y un técnico calificado debe conectarlo a tierra.
- Limpie solamente las partes indicadas en este manual.
- No utilice limpiadores para hornos. No debe utilizar limpiadores comerciales para hornos ni capas protectoras de ninguna clase en cualquier parte del horno o a sus alrededores.
- No toque los elementos calefactores ni las superficies internas del horno. Los elementos calefactores pueden permanecer calientes incluso cuando tienen un color oscuro. Las superficies internas alcanzan altas temperaturas y pueden causar quemaduras. Durante y después del uso, no toque ni deje que su ropa u otros materiales ignífugos entren en contacto con los elementos calefactores o superficies internas del horno hasta que hayan tenido suficiente tiempo para enfriarse. Es posible que otras superficies del electrodoméstico se calienten lo suficiente como para ocasionar quemaduras (por ejemplo, las aberturas de ventilación del horno y las superficies cercanas a ellas, las puertas del horno y las ventanas de las puertas del horno).
- Tenga cuidado al abrir la puerta del horno. Deje salir el aire caliente o el vapor antes de mirar o meter las manos dentro del horno.
- Asegúrese de que no haya obstáculos en ningún momento en la entrada de aire fresco del horno (que se encuentra debajo de la puerta) ni en la rejilla de ventilación del horno (que se encuentra debajo de la puerta).
- Utilice siempre guantes de cocina secos al retirar las cacerolas de este electrodoméstico. Los guantes de cocina húmedos o mojados pueden provocar quemaduras por vapor. No utilice un paño ni un trapo en lugar de los guantes de cocina.
- Coloque las rejillas del horno a la altura deseada cuando el horno esté frío. Si debe cambiar una rejilla de posición cuando el horno esté caliente, asegúrese de que el guante de cocina no entre en contacto con un elemento calefactor caliente al interior del horno.
- No intente reparar ni cambiar parte alguna de este electrodoméstico, a menos que esté específicamente recomendado en la documentación que acompaña a este electrodoméstico.
- No utilice papel de aluminio para forrar ninguna parte de este electrodoméstico.
- Nunca utilice este electrodoméstico para entibiar o calentar la habitación.
- No use agua en incendios causados por grasas. Sofoque el fuego o utilice un extinguidor químico seco o de espuma.
- No deje a los niños solos o sin supervisión en el área donde se usa este electrodoméstico. Nunca permita que los niños se sienten o se pongan de pie encima del electrodoméstico.
- No almacene artículos que puedan llamar la atención de niños arriba o detrás de este electrodoméstico, ya que estos podrían subirse al electrodoméstico para alcanzar los objetos y sufrir lesiones.

INSTRUCCIONES IMPORTANTES

PRECAUCIONES GENERALES DE SEGURIDAD

- No caliente recipientes de comida sin abrir, como frascos de alimentos para bebés o enlatados. La acumulación de presión puede hacer que el recipiente explote y cause lesiones.
- No almacene ni utilice gasolina u otros vapores o líquidos ignífugos en las proximidades de este o cualquier otro electrodoméstico.
- No limpie el empaque del horno, ya que frotarlo o moverlo puede poner en riesgo el sello de la puerta.
- Utilice ropa adecuada. Nunca debe utilizar ropa holgada ni con aplicaciones sueltas al utilizar este electrodoméstico.
- Durante el uso, el aparato se calienta. Se debe tener cuidado de no tocar elementos térmicos dentro del horno.
- No utilice limpiadores abrasivos ni espátulas metálicas afiladas para limpiar el cristal de la puerta del horno.
- Utilice solamente el sensor de temperatura que se recomienda para este horno.
- No utilice un limpiador de vapor para limpiar el electrodoméstico.
- Antes de comenzar el ciclo de Limpieza, se debe retirar el exceso de derrames de la cavidad del horno.

⚠ PRECAUCIÓN

Antes de utilizar la Limpieza, retire la parrilla para asar esmaltada, las rejillas del horno, las guías de la rejilla y cualquier otro utensilio.

⚠ ADVERTENCIA

Las partes accesibles se pueden calentar durante el uso. Debe mantener a los niños pequeños alejados.

⚠ ADVERTENCIA

Verifique que el electrodoméstico está apagado o desconectado antes de reemplazar la lámpara para evitar la posibilidad de choques eléctricos.

⚠ ADVERTENCIA

PROPOSICIÓN 65 PARA LOS RESIDENTES DE CALIFORNIA

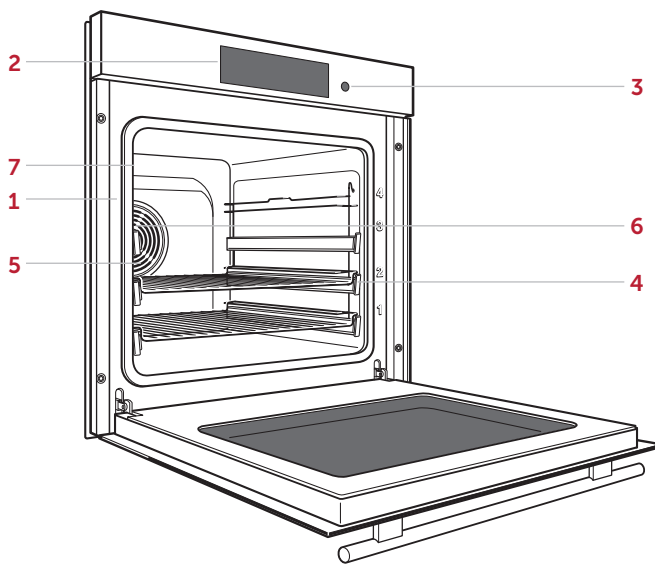
**Cáncer y daño reproductivo:
www.P65Warnings.ca.gov**

GUARDE ESTAS INSTRUCCIONES

Características de los hornos de la serie E de 24"

CARACTERÍSTICAS

- | | |
|---|---------------------------------------|
| 1 | Placa de datos del producto |
| 2 | Pantalla táctil |
| 3 | Botón ALL OFF (APAGAR TODO) |
| 4 | Rejillas ajustables del horno |
| 5 | Ventilador de convección |
| 6 | Recipiente de la sonda de temperatura |
| 7 | Luz LED |



Horno de la serie E de 24"

Primeros pasos

Sabemos que no puede esperar para empezar a cocinar, pero antes de hacerlo, dedique un poco de tiempo a leer este manual de uso y cuidado. Si usted es cocinero ocasional o chef experto, se beneficiará de conocer las prácticas de seguridad, características, funcionamiento y recomendaciones sobre el cuidado de su horno de la serie E de Wolf.

Antes de utilizarse

Siga estos pasos para asegurarse de que se haya eliminado todo el aceite residual del proceso de fabricación.



Antes de usarlo:

- 1 Limpie cuidadosamente el horno con agua caliente y detergente suave.
- 2 Enjuague y seque con un paño suave.
- 3 Encienda la ventilación de la cocina. Es normal que haya un poco de humo y olor.
- 4 Seleccione el idioma, la fecha, el reloj y las unidades de temperatura deseadas e inicie el proceso de quemado. El proceso de quemado se lleva alrededor de 30 minutos.


Pantalla táctil

La pantalla utiliza tecnología táctil para seleccionar los modos y otras funciones. Consulte la siguiente ilustración. Para encender la pantalla táctil, presione y mantenga presionado durante 2 segundos.

Para reposicionar los modos, pulse y mantenga el modo en la pantalla táctil, luego mueva a la ubicación deseada. Si un modo existente está en la posición deseada, debe moverse primero.

Toque  para volver atrás o toque  para volver a la pantalla de inicio.

Opciones extendidas

Toque  para acceder a las opciones extendidas, luego toque la opción deseada. Siga las instrucciones de la pantalla táctil.

OPCIONES DE AJUSTE

Idioma	Seleccione: inglés, español, francés, italiano, alemán, holandés o chino.
Bloqueo de pantalla	Bloquee la pantalla para limpiarla.
Pantalla	Seleccione el brillo y la pantalla en espera.
Sonido	Seleccione el modo silencioso, el tono de la pantalla táctil, el volumen del teclado y los tonos de respuesta.
Ajustes individuales	Seleccione las unidades de temperatura y active o desactive el modo Sabbath.
Funciones de asistencia	Seleccione la iluminación y el tono de precalentamiento.
Fecha y reloj	Establezca la fecha y seleccione el reloj de 12 o 24 horas.
Información del electrodoméstico	Acceda a la información del producto.
Configuración de fábrica	Restablezca la configuración de fábrica.
Servicio	Para servicio solamente.




Pantalla de inicio

Modos

Seleccionar un modo:


- 1 Seleccione el modo deseado y, luego, pulse Ok (Aceptar).
- 2 Toque Inicio para seleccionar la temperatura preestablecida o toque la temperatura preestablecida y utilice el teclado numérico para introducir la temperatura deseada.
- 3 Toque Set (Establecer).
- 4 Toque Start (Iniciar).
- 5 Toque Stop (Detener) para finalizar la operación. "The operation has finished. Do you want to proceed with a subsequent step?" (La operación ha terminado. ¿Desea continuar con un paso posterior?) aparecerá en la pantalla táctil (no disponible para todos los modos).

Los modos siguientes sirven para continuar la cocción con la operación anterior o para dorar la parte superior de los alimentos. Toque Sí para añadir un paso posterior o No para volver a la pantalla de inicio. Para apagar el horno, mantenga presionado .

FAVORITOS

Los modos o alimentos más utilizados se pueden guardar para acceder a ellos fácilmente. Se pueden guardar hasta 50 selecciones favoritas a la vez.

Crear un favorito:

- 1 Seleccione el modo y temperatura deseados.
- 2 Pulse .
- 3 Use el teclado para introducir un nombre.
- 4 Toque Set (Establecer).

Modificar un favorito:

- 1 Pulse el favorito deseado.
- 2 Para modificar el nombre, toque el campo nombre. Para modificar todos los demás ajustes, toque Change (Cambiar).
- 3 Utilice el teclado para modificar y, a continuación, toque Set (Establecer).
- 4 Para eliminar un favorito, toque Delete (Eliminar).

Opciones

Cocción cronometrada: Establezca un tiempo de cocción o comienzo retrasado.

Pre calentamiento: Hace parpadear la luz del horno 3 veces y muestra un mensaje en la pantalla táctil cuando el pre calentamiento se ha completado (no disponible en todos los modos).

Temperatura de la sonda de alimentos: Fije la temperatura de la sonda de alimentos.

Programa automático

COCCIÓN CRONOMETRADA

La cocción cronometrada apaga automáticamente el horno a una hora específica. El horno empieza a calentar inmediatamente y se apaga a la hora que usted desee que se apague. Si se requiere precalentamiento, el tiempo del mismo debe registrarse al determinar la duración de la cocción. El reloj debe estar configurado con la hora correcta para que el inicio automático funcione correctamente. Use en cualquier modo de cocción excepto Gourmet+.

Configuración de los mandos:

- 1 Seleccione el modo de cocción y la temperatura deseados.
- 2 Pulse Options (Opciones).
- 3 Pulse Timed Cook (Cocción cronometrada).
- 4 Introduzca la duración de cocción deseada, luego pulse Set (Establecer).
- 5 Pulse Ok (Aceptar) y, a continuación, Start (Iniciar).
- 6 El horno se apaga automáticamente cuando se ha completado el tiempo de cocción.

INICIO RETARDADO

El inicio retardado enciende y apaga el horno automáticamente a una hora específica. El horno permanece inactivo hasta la hora de inicio deseada y se apaga a la hora que usted desee. Si se requiere precalentamiento, el tiempo del mismo debe registrarse al determinar la duración de la cocción. El reloj debe estar configurado con la hora correcta para que el inicio automático funcione correctamente. Use en cualquier modo de cocción excepto Warm (Calentar).

Configuración de los mandos:


- 1 Seleccione el modo de cocción y la temperatura deseados.
- 2 Pulse Options (Opciones).
- 3 Pulse Timed Cook (Cocción cronometrada).
- 4 Introduzca el tiempo de apagado y la duración de cocción deseados, luego pulse Set (Establecer).
- 5 Pulse Ok (Aceptar) y, a continuación, Start (Iniciar).
- 6 El horno se apaga automáticamente cuando se ha completado el tiempo de cocción.

Funcionamiento del horno

TEMPORIZADOR


El temporizador se puede ajustar para un máximo de 99 horas y 59 minutos. Una vez configurado el temporizador, aparece la cuenta regresiva en la pantalla táctil. El temporizador es independiente del horno. Ajustar el temporizador no afecta el tiempo de cocción ni el tiempo de parada.

Fijar el temporizador:

- 1 Pulse .
- 2 Utilice el teclado para introducir el tiempo deseado.
- 3 Toque Start (Iniciar).
- 4 Para ajustar el temporizador, toque la cuenta regresiva del temporizador en la pantalla táctil. Introduzca el tiempo deseado, luego toque Start (Inicio). Para detener el temporizador, toque Stop (Detener).

SHABAT

Configuración de los mandos:

- 1 Pulse .
- 2 Pulse Ajustes individuales.
- 3 Pulse Modo Sabbath.
- 4 Pulse On u Off.

Cuando está encendido, el modo Sabbath aparece en la pantalla táctil. Seleccione horneado Sabbath u horneado húmedo Sabbath. El horno estará encendido hasta por 78 horas mientras esté en el modo Sabbath.

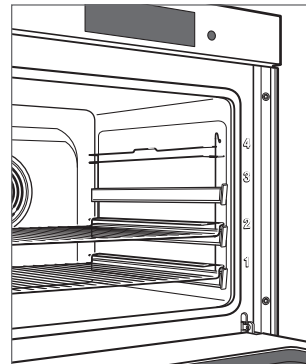
POSICIÓN DE LAS REJILLAS DEL HORNO

Las rejillas del horno pueden colocarse en cualquiera de las cuatro posiciones que aparecen en las etiquetas de la parte frontal del horno. Consulte la siguiente ilustración. Las posiciones 1 a 3 de la rejilla son de extracción total y la posición 4 de la rejilla es la estándar. Verifique que las rejillas de extracción total estén completamente desplazadas hacia atrás antes de cerrar la puerta.

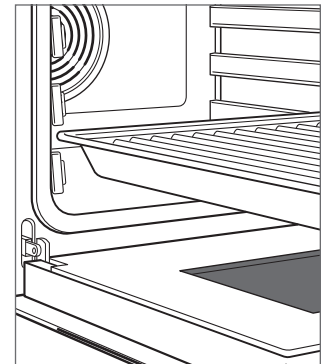
COLOCACIÓN DE LA BANDEJA DEL HORNO

Inserte las bandejas con el lado inclinado hacia atrás. Consulte la siguiente ilustración.

NOTA IMPORTANTE: Utilice las bandejas de acero inoxidable para temperaturas inferiores a 300°F (150°C). Utilice la parrilla para asar esmaltada para temperaturas superiores a 300°F (150°C).



Posición de las rejillas del horno



Colocación de la bandeja del horno

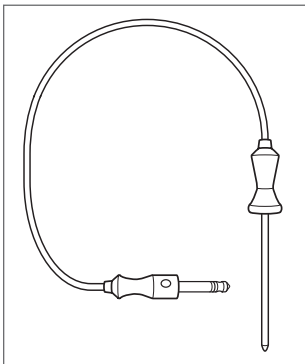
Funcionamiento del horno

SONDA DE TEMPERATURA

Use solamente la sonda de temperatura negra que viene con este electrodoméstico. Consulte la siguiente ilustración. La sonda de temperatura mide la temperatura interna de los alimentos durante la cocción. Se puede utilizar con todos los modos de cocción excepto el Gourmet+ y Calentamiento. Cuando la sonda de temperatura esté instalada, se mostrará la temperatura real de la misma.

⚠ PRECAUCIÓN

Use solamente la sonda que viene con este horno. No use ninguna sonda de cualquier otro electrodoméstico.



Sonda de temperatura

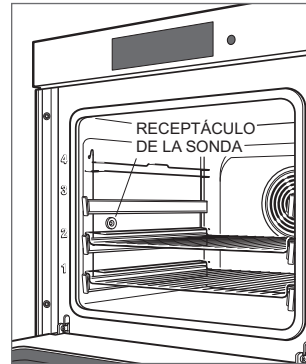
Configuración de los mandos:

- 1 Introduzca el sensor en la parte más gruesa del alimento.
- 2 Coloque la comida en el horno e inserte el conector en el receptáculo. Consulte la siguiente ilustración.
- 3 Seleccione el modo de cocción deseado.
- 4 Pulse Options (Opciones) y luego, Probe Temperature (Temperatura de la sonda).
- 5 Utilice el teclado numérico para introducir la temperatura deseada.
- 6 Toque Set (Establecer).

El punto de ajuste de la sonda aparece en la pantalla táctil junto a la temperatura actual de la sonda. Para ajustar la temperatura de la sonda, repita los pasos 4 a 6.

⚠ PRECAUCIÓN














La sonda y el receptáculo estarán muy calientes. Manipule con cuidado.



Receptáculo de la sonda

Funcionamiento del horno

Modos de cocción

MODO	ÍCONO	RANGO	DESCRIPCIÓN
Convección		90–535°F (30–280°C)	Cocina y dora los alimentos de manera uniforme a la vez que reduce el tiempo de cocción. Habilita la cocción en varias rejillas.
Convección en húmedo		90–480°F (30–250°C)	El horno se sella para retener la humedad y utiliza convección. Ideal para hornear pan y cacerolas rápidamente.
Hornear por convección		90–535°F (30–280°C)	El elemento de horneado cocina los alimentos mientras el ventilador de convección hace circular aire caliente para dorarlos y dejarlos crujientes.
Asar*		Bajo, medio, alto	Utiliza el elemento para asar para sellar y dorar los alimentos intensamente.
Asar por convección		90–535°F (30–280°C)	Utiliza el elemento de asado y convección para dorar y dejar crujiente.
Hornear		90–535°F (30–280°C)	El espacio de cocción se calienta con los elementos superiores e inferiores. Modo de funcionamiento normal de cocción y horneado en una sola rejilla.
Hornear en húmedo		90–480°F (30–250°C)	Utiliza elementos de horneado y asado. El horno se sella para retener la humedad. Para hornear pan y cacerolas rápidamente.
Cocción lenta		Bajo, medio, alto	Utiliza el elemento de horneado para crear resultados de cocción lenta. Mejor si se utiliza con ollas de fondo grueso.
Gourmet		–	Proporciona recomendaciones para el modo de cocción y la posición de la rejilla para alimentos selectos. La temperatura y tiempo de cocción dependen del término deseado.
Gourmet+		–	Optimiza el tiempo de cocción, la temperatura y la humedad durante el ciclo de cocción para cocinar automáticamente alimentos selectos.
Rostizado lento†		–	Rostiza la comida de forma automática, para lo cual optimiza el término de cocción y el tiempo deseado.
Calentar		140–210°F (60–100°C)	Utiliza convección para mantener caliente la comida que se prepara.
Autolimpieza		Ligero, Medio, Fuerte	Para limpieza de rutina del horno.

*Deje precalentar durante tres minutos. †Se requiere sonda para ajustar automáticamente el tiempo de cocción y temperatura.

Modos de cocción

GOURMET

Gourmet ofrece una variedad de preparaciones de comidas rápidas y convenientes. Gourmet también proporciona recomendaciones respecto a posiciones ideales de las rejillas y consejos para garantizar la confianza al cocinar.

ALIMENTOS

Platos horneados y gratinados

Productos para hornear

Pescado y mariscos

Fruta y bayas

Carne

Aves

Laterales

Verduras

Ajustar Gourmet:

- 1 Pulse **G**.
- 2 Pulse la comida deseada.
- 3 Siga las instrucciones de la pantalla táctil.
- 4 Pulse Set (Establecer) y, luego, Start (Iniciar).

GOURMET+

Use el modo Gourmet+ para preparar cualquiera de las siguientes comidas, frescas o refrigeradas. Seleccione la comida y el punto de cocción deseado y el sensor ajustará automáticamente la hora, la temperatura y la humedad, por lo que no se requieren instrucciones de horneado.

ALIMENTOS

Entradas frescas

Pan de trenza

Pan

Gratinado

Pay

Pizza fresca

Ajustar Gourmet+:

- 1 Pulse **G+**.
- 2 Pulse la comida deseada.
- 3 Siga las instrucciones de la pantalla táctil.
- 4 Pulse Set (Establecer) y, luego, Start (Iniciar).


Limpieza

Durante la limpieza, el horno alcanza una temperatura extremadamente alta para quemar los residuos de los alimentos. Retire las rejillas del horno y las guías de las rejillas. Estas perderán su color si las deja dentro del horno durante la Limpieza.

La duración del ciclo de Limpieza se ajusta según el nivel de residuos de alimentos. Para residuos livianos, la duración del ciclo de limpieza es de 1 hora y media y para residuos pesados es de 2 horas. El ciclo total dura hasta 5 horas, incluido el enfriamiento.

Ajuste de Limpieza:

- 1 Pulse autolimpieza.
- 2 Seleccione el nivel de suciedad adecuado y, pulse, pulse Start (Iniciar).
- 3 Retire todos los objetos y accesorios del interior del horno y pulse Ok (Aceptar).
- 4 Abra y cierre la puerta para iniciar el ciclo.

Para cancelar el modo de Limpieza en cualquier momento, presione . La puerta del horno se bloqueará y permanecerá bloqueada hasta que el ciclo de Limpieza termine y la temperatura del horno haya descendido a menos de 570°F (300°C).

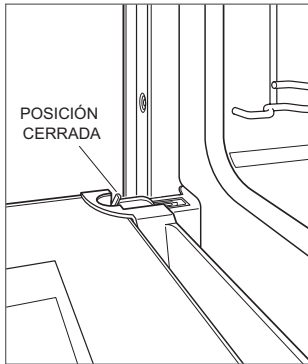
Recomendaciones para el cuidado

CÓMO QUITAR LA PUERTA DEL HORNO

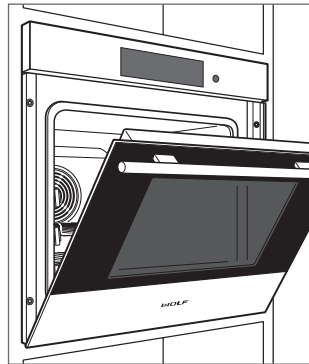
La puerta del horno se puede retirar para una limpieza profunda.

Para quitar la puerta del horno, ábrala completamente. Gire los pestillos de las bisagras hacia adelante a la posición abierta. Cierre la puerta hasta que quede abierta aproximadamente a 30° y luego levante hacia arriba y sáquela. Revise las siguientes ilustraciones.

Para volver a instalar, inserte las bisagras de la puerta en las aberturas del marco. Abra la puerta del horno completamente y gire ambos pestillos de las bisagras hacia atrás a la posición cerrada.



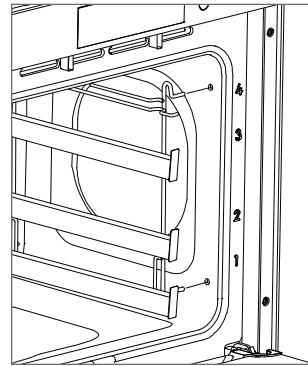
Pestillo de la bisagra de la puerta del horno



Puerta abierta a 30°

EXTRACCIÓN DE LAS GUÍAS DE REJILLA

Para quitar las guías de la rejilla, gire la guía de la rejilla hacia adentro y luego tire hacia adelante. Consulte la siguiente ilustración.



Extracción de las guías de rejilla

Recomendaciones para el cuidado

LIMPIEZA

Acero inoxidable	Utilice un limpiador no abrasivo para acero inoxidable y aplique con un paño suave que no deje pelusa. Para resaltar el lustre natural, limpie suavemente la superficie con una tela de microfibra humedecida con agua y, luego, pule en seco con una gamuza. Siempre siga la dirección del acabado del acero inoxidable.
Frente de la puerta	Rocíe líquido limpiador de cristales en un paño para limpiar.
Pantalla táctil	Utilice desengrasante en aerosol para retirar las marcas de los dedos y los residuos de alimentos. Rocíe el producto en un paño antes de limpiar la pantalla táctil. No rocíe limpiadores directamente sobre la pantalla táctil.
Interior	Para realizar una limpieza suave, retire los residuos de comida con un paño suave humedecido en agua y detergente suave, mientras el horno esté tibio. Seque con un paño suave.
Guía de la rejilla	Retire y coloque sobre una superficie plana cerca del fregadero. Limpie con agua caliente y un detergente suave; o bien, con pasta de bicarbonato de sodio y agua. No sumerja en agua ni utilice desengrasantes. Seque con un paño.
Rejillas de horno y sartenes de acero inoxidable	Las rejillas del horno y los sartenes de acero inoxidable pueden lavarse en el lavavajillas.
Sonda de temperatura	Limpie con un paño y agua. Use un detergente suave para las manchas difíciles. No sumerja la sonda en agua ni la limpie en el lavavajillas.
Parrilla esmaltada	Limpie con agua caliente y un detergente suave; o bien, con pasta de bicarbonato de sodio y agua.

Solución de problemas

FUNCIONAMIENTO

El horno no funciona.

- Compruebe que está encendido.
- Compruebe la alimentación eléctrica al horno y que el interruptor de circuito de la casa estén encendidos.

Problemas con la temperatura del horno.

- Póngase en contacto con atención al cliente de Wolf a través del 800-222-7820 para recomendaciones.

El horno hace ruido durante el funcionamiento.

- El horno puede emitir sonidos de intercambio durante el funcionamiento. Esos sonidos son normales.

Es difícil retirar las bandejas del horno.

- Algunas combinaciones de calor, humedad y colocación de comida pueden ocasionar que las bandejas de horno se tuerzan. Las bandejas regresarán a su forma original cuando se enfríen.

Servicio

- Para mantener la calidad incorporada en su producto, póngase en contacto con el servicio certificado de fábrica de Wolf. Para conocer los datos del centro de Servicio certificado de fábrica de Wolf más cercano, consulte la Sección de servicio técnico en nuestro sitio web, wolfappliance.com, o bien, llame a la línea de atención al cliente de Wolf al 800-222-7820.
- Cuando se comunique con el servicio, necesitará el modelo y el número de serie de su producto. Los dos números aparecen en la placa de datos del producto. Consulte en la página 6 la ubicación de la placa de datos.
- Para fines de la garantía, también necesitará la fecha de instalación y el nombre de su distribuidor autorizado de Wolf. Esta información debe estar registrada en la página 3.

Garantía limitada residencial de Wolf Appliance

PARA USO RESIDENCIAL

GARANTÍA COMPLETA DE DOS AÑOS*

Durante dos años a partir de la fecha de la instalación original, la garantía de su producto Wolf Appliance cubre todas las piezas y mano de obra para reparar o cambiar, de acuerdo con el uso residencial normal, cualquier pieza del producto que se compruebe que está defectuosa en material o mano de obra. Todos los servicios proporcionados por Wolf Appliance bajo la garantía anterior deben ser ejecutados por servicios certificados de fábrica de Wolf, a menos que Wolf Appliance, Inc. lo especifique de otra manera. El Servicio se hará durante el horario comercial normal.

GARANTÍA LIMITADA DE CINCO AÑOS

Durante cinco años a partir de la fecha de la instalación original, Wolf Appliance reparará o cambiará los siguientes componentes que se comprueben que están defectuosos en material o mano de obra: quemadores de gas (excluyendo la apariencia), elementos eléctricos de calentamiento, motores de sopladores (campanas de ventilación), módulos de control eléctrico, tubos magnetrón y generadores de inducción. Si el propietario utiliza el servicio certificado de fábrica de Wolf, el prestador del servicio reparará o reemplazará estas partes mediante el pago de todos los otros costos, incluyendo mano de obra, a cargo del propietario. Si el propietario usa un servicio no certificado, debe ponerse en contacto con Wolf Appliance, Inc. (mediante la información anotada más adelante) para recibir los componentes reparados o de cambio. Wolf Appliance no reembolsará al propietario los importes correspondientes a los componentes comprados a un servicio no autorizado o a otras fuentes.

TÉRMINOS APLICABLES A CADA GARANTÍA

La garantía se aplica solamente a los productos instalados para uso residencial normal. La garantía se aplica solamente a los productos instalados en cualquiera de los cincuenta estados de Estados Unidos, el Distrito de Columbia o las diez provincias de Canadá. Esta garantía no cubre las partes o mano de obra para corregir cualquier defecto causado por negligencia, accidente o uso, mantenimiento, instalación, servicio o reparación inadecuados.

LOS RECURSOS DESCRITOS ANTERIORMENTE PARA CADA GARANTÍA SON LOS ÚNICOS QUE WOLF APPLIANCE, INC. PROPORCIONARÁ, YA SEA BAJO ESTA GARANTÍA O BAJO CUALQUIER GARANTÍA QUE RESULTE DE LA APLICACIÓN DE LA LEY. WOLF APPLIANCE, INC. NO SE HACE RESPONSABLE POR LOS DAÑOS INDIRECTOS O INCIDENTALES DERIVADOS DEL INCUMPLIMIENTO DE ESTA GARANTÍA O CUALQUIER OTRA GARANTÍA, YA SEA EXPRESA, IMPLÍCITA O LEGAL.

Algunos estados no permiten la exclusión o limitación de daños indirectos o incidentales, por lo que la limitación o exclusión anterior podría no aplicarse a su caso. Esta garantía le otorga derechos legales específicos y usted también puede tener otros derechos legales que varían entre estados.

Para recibir las partes o el servicio y el nombre del servicio certificado de fábrica de Wolf más cercano a usted, póngase en contacto con Wolf Appliance, Inc., P.O. Box 44848, Madison, WI 53744; eche un vistazo a la sección de servicio técnico en nuestro sitio web, wolfappliance.com, envíenos un correo electrónico a customerservice@subzero.com o llame al 800-222-7820.

*Las puertas, paneles, manijas, estructuras y superficies internas de acero inoxidable están cubiertas por una garantía limitada de 60 días sobre piezas y mano de obra, por defectos estéticos.

*Los filtros de repuesto para los kits de circulación de la campana de ventilación no están cubiertos por la garantía del producto.



Table des matières

3	Four de 24 po de la série E
4	Précautions de sécurité
6	Caractéristiques du four de la série E de 24 po
7	Fonctionnement du four
15	Conseils d'entretien
17	Dépannage
19	Garantie Wolf

Service à la clientèle

Le numéro de modèle et le numéro de série sont imprimés sur la fiche d'enregistrement du produit ci-jointe. Les deux numéros sont aussi indiqués sur la plaque signalétique du produit. Reportez-vous à la page 6 pour connaître l'emplacement de la plaque signalétique. Pour les besoins de la garantie, vous devez aussi avoir la date d'installation et le nom de votre dépositaire Wolf autorisé. Inscrivez ces renseignements ci-dessous pour consultation ultérieure.

RENSEIGNEMENTS SUR LE SERVICE

Numéro de modèle

Numéro de série

Date de l'installation

Nom du service certifié

Numéro du service certifié

Dépositaire autorisé

Numéro du dépositaire

Si votre produit a besoin d'être réparé, assurez-vous d'utiliser un fournisseur de service certifié par l'usine Wolf recommandé par notre centre de service à la clientèle, ou sélectionnez-en un parmi la liste de fournisseurs disponibles à wolfappliance.com/locator. Tous les fournisseurs de service certifiés par l'usine sont soigneusement sélectionnés et rigoureusement formés par nous.

Remarque importante

Pour s'assurer que ce produit est installé et utilisé en toute sécurité et aussi efficacement que possible, prenez note des types de renseignements mis en évidence tout au long de ce guide :

REMARQUE IMPORTANTE met en évidence des renseignements qui sont particulièrement importants.

⚠ MISE EN GARDE

Indique une situation où une blessure mineure ou des dommages au produit peuvent se produire si les directives ne sont pas respectées.

⚠ AVERTISSEMENT

Décrit un danger qui peut causer une blessure grave ou la mort si les précautions ne sont pas respectées.

REMARQUE IMPORTANTE : Tout au long de ce guide, les dimensions entre parenthèses sont en millimètres sauf indication contraire.

DIRECTIVES IMPORTANTES

PRÉCAUTIONS DE SÉCURITÉ GÉNÉRALE

- Lisez ce guide attentivement avant d'utiliser cet appareil afin de réduire le risque d'incendie, de choc électrique ou de blessures.
- Cet appareil doit être correctement installé et réparé par un installateur ou une agence de service qualifiés et mis à la terre par un technicien qualifié.
- Nettoyez seulement les pièces indiquées dans ce guide.
- N'utilisez pas de nettoyeurs pour le four. Aucun nettoyeur pour four commercial ni aucun revêtement protecteur ne doivent être utilisés dans ou autour des pièces du four.
- Ne touchez pas aux éléments de chauffage ou aux surfaces intérieures du four. Les éléments chauffants peuvent être chauds même s'ils sont de couleur foncée. Les surfaces intérieures deviennent assez chaudes pour causer des brûlures. Pendant et après l'utilisation, ne touchez pas et ne laissez pas les vêtements ou d'autres matériaux inflammables entrer en contact avec les éléments chauffants ou les surfaces intérieures du four avant qu'ils n'aient eu suffisamment de temps pour se refroidir. Les autres surfaces de l'appareil peuvent devenir assez chaudes pour causer des brûlures (les ouvertures des événements du four et les surfaces près de ces ouvertures, les portes de four et les fenêtres de portes de four, par exemple).
- Faites attention lorsque vous ouvrez la porte du four. Laissez l'air chaud ou la vapeur s'échapper avant de regarder ou de toucher le four.
- Assurez-vous que l'admission d'air frais du four (située au-dessous de la porte) et le conduit d'évacuation du four (situé au-dessus de la porte) ne sont jamais bloqués.
- Utilisez toujours des maniques sèches pour retirer des casseroles de cet appareil. Des maniques mouillées ou humides peuvent causer des brûlures de vapeur. N'utilisez pas de serviette ou de chiffon épais en guise de poignées.
- Placez les grilles du four aux endroits désirés lorsque le four est froid. Si une grille doit être déplacée et que le four est déjà chaud, assurez-vous que les maniques n'entrent pas en contact avec l'élément chauffant chaud du four.
- Ne réparez pas et ne remplacez aucune pièce de cet appareil à moins que cela ne soit spécifiquement recommandé dans la documentation accompagnant l'appareil.
- N'utilisez pas de feuille en aluminium pour couvrir toute partie de cet appareil.
- N'utilisez jamais cet appareil pour réchauffer ou chauffer la pièce.
- N'utilisez pas de l'eau sur les incendies de graisse. Éteignez la flamme ou utilisez un extincteur à poudre chimique ou à mousse.
- Ne laissez pas des enfants seuls ou sans surveillance dans la zone où cet appareil est utilisé. Ne laissez jamais des enfants s'asseoir ou se tenir debout sur l'appareil.
- Ne rangez pas des articles susceptibles d'intéresser les enfants au-dessus ou à l'arrière de cet appareil puisqu'ils pourraient grimper sur l'appareil pour les atteindre et se blesser.

DIRECTIVES IMPORTANTES

PRÉCAUTIONS DE SÉCURITÉ GÉNÉRALE

- Ne chauffez pas des contenants d'aliment non ouverts, comme les pots et les boîtes de nourriture pour bébé. L'accumulation de pression peut faire éclater le contenant et causer des blessures.
- Ne rangez pas et n'utilisez pas de l'essence ou d'autres vapeurs ou liquides inflammables à proximité de cet appareil ou de tout autre appareil.
- Il est recommandé de ne pas nettoyer le joint du four en le frottant ou en le déplaçant, car cela pourrait compromettre son étanchéité.
- Portez des vêtements appropriés. Évitez de porter des vêtements amples ou suspendus pendant que vous utilisez cet appareil.
- L'appareil peut devenir très chaud lorsqu'on s'en sert. Évitez de toucher aux éléments de chauffage se trouvant à l'intérieur du four.
- N'utilisez ni produits abrasifs forts ni éponges métalliques pour nettoyer la porte en verre du four.
- N'utilisez que la sonde à cœur recommandée pour ce four.
- N'utilisez pas un nettoyeur à vapeur pour nettoyer l'appareil.
- Avant de commencer le cycle de nettoyage, retirez l'excès de débordement de la cavité du four.

▲ MISE EN GARDE

Avant d'utiliser la fonction de nettoyage, retirez la lèchefrite émaillée, les grilles du four, les guides de grille et tout autre ustensile.

▲ AVERTISSEMENT

Les pièces accessibles peuvent devenir chaudes durant l'utilisation. Les jeunes enfants doivent être tenus à l'écart.

▲ AVERTISSEMENT

Assurez-vous que l'appareil est éteint ou débranché avant de remplacer la lampe pour éviter tout risque de choc électrique.

▲ AVERTISSEMENT

PROPOSITION 65 POUR LES RÉSIDENTS DE CALIFORNIE

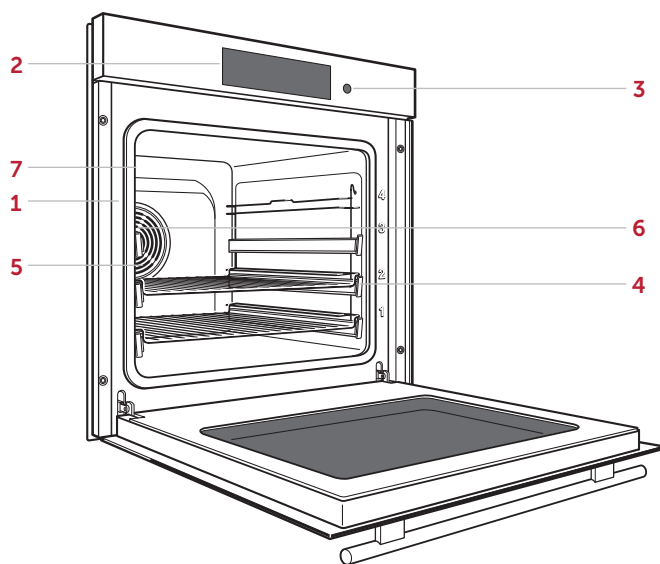
**Cause le cancer et des troubles reproductifs—
www.P65Warnings.ca.gov**

CONSERVEZ CES DIRECTIVES

Caractéristiques du four de la série E de 24 po

CARACTÉRISTIQUES

- | | |
|---|----------------------------------|
| 1 | Plaque signalétique du produit |
| 2 | Panneau de commande tactile |
| 3 | Bouton d'arrêt complet |
| 4 | Grilles de four réglables |
| 5 | Ventilateur de convection |
| 6 | Prise de la sonde de température |
| 7 | Éclairage à DEL |



Four de 24 po de la série E

Premiers pas

Nous savons que vous êtes impatient de commencer à cuisiner, mais avant de le faire, veuillez prendre quelques instants pour lire ce guide d'utilisation et d'entretien. Que vous soyez un cuisinier occasionnel ou un chef expert, il vous sera bénéfique de vous familiariser avec les pratiques de sécurité, les fonctions, le fonctionnement, et les recommandations d'entretien de votre four Wolf de la série E.

Avant l'utilisation

Pour vous assurer de l'élimination de toute huile résiduelle du processus de fabrication, veuillez suivre les étapes suivantes.



Avant l'utilisation :

- 1 Nettoyez le four à fond avec de l'eau chaude et un détergent doux.
- 2 Rincez et séchez avec un chiffon doux.
- 3 Veuillez mettre en marche la ventilation de cuisine. Il est normal de voir de la fumée et de sentir une odeur.
- 4 Sélectionnez la langue, la date, l'horloge et les unités de température souhaitées, puis lancez le processus de rodage. Le processus de rodage prend environ 30 minutes.


Panneau de commande tactile

Le panneau de commande tactile est équipé de touches permettant de sélectionner les modes de cuisson et d'autres fonctions. Reportez-vous à l'illustration ci-dessous. Pour activer l'écran tactile, appuyez dessus pendant une durée de 2 secondes.

Pour repositionner les modes, appuyez et maintenez le mode sur l'écran tactile, puis déplacez-le à l'endroit souhaité. Si un mode existant se trouve déjà à l'emplacement souhaité, il doit d'abord être repositionné.

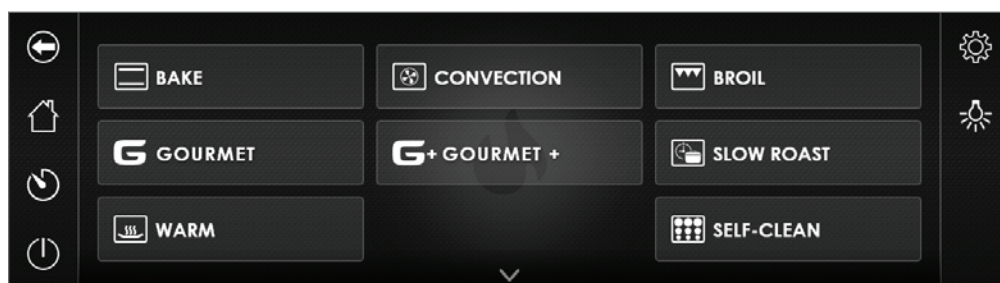
Appuyez sur  pour revenir en arrière ou sur  pour revenir à l'écran d'accueil.

Options supplémentaires

Appuyez sur  pour accéder aux options supplémentaires, puis appuyez sur l'option voulue. Suivez les directives sur l'écran tactile.

OPTIONS DE PARAMÉTRAGE

Langue	Sélectionnez : anglais, espagnol, français, italien, allemand, hollandais ou chinois.
Verrouillage de l'affichage	Verrouillez l'écran tactile pour le nettoyage.
Affichage	Sélectionnez la luminosité et l'écran de veille.
Son	Sélectionnez le mode silencieux, la tonalité de l'écran tactile, le volume du clavier et les tonalités de rétroaction.
Paramètres individuels	Sélectionnez les unités de température et activez ou désactivez le mode Shabbath.
Fonctions d'aide	Sélectionnez l'éclairage et la tonalité de préchauffage.
Date et horloge	Réglez la date et sélectionnez le cycle de 12 ou 24 heures.
Renseignements sur l'appareil	Accédez aux renseignements sur le produit.
Paramètres d'usine	Réinitialisez aux paramètres établis en usine.
Service	Pour le service seulement.




Écran d'accueil

Modes

Sélection de mode :


- 1 Sélectionnez le mode souhaité, puis appuyez sur Ok.
- 2 Appuyez sur la touche Démarrer pour sélectionner la température préréglée ou appuyez sur la température préréglée et utilisez le pavé numérique pour saisir la température souhaitée.
- 3 Appuyez sur Appliquer.
- 4 Appuyez sur Démarrer.
- 5 Appuyez sur Arrêter pour terminer l'opération.
« L'opération est terminée. Voulez-vous passer à l'étape suivante ? » s'affiche sur l'écran tactile (non disponible pour tous les modes).

Les modes suivants sont destinés à poursuivre la cuisson avec l'opération précédente ou à faire dorer le dessus des aliments. Appuyez sur Oui pour ajouter une étape ultérieure ou Non pour revenir à l'écran d'accueil. Pour éteindre le four, maintenez la touche  enfoncée.

FAVORIS

Les modes ou les aliments souvent utilisés peuvent être sauvegardés pour en faciliter l'accès. Il est possible d'enregistrer jusqu'à 50 favoris.

Création d'un préféré :

- 1 Sélectionnez le mode et la température souhaités.
- 2 Appuyez sur .
- 3 Utilisez le clavier pour saisir un nom.
- 4 Appuyez sur Appliquer.

Modification d'un Favori :

- 1 Appuyez le Favori souhaité.
- 2 Pour modifier le nom, touchez le champ du nom. Pour modifier tous les autres paramètres, touchez Modifier.
- 3 Utilisez le clavier pour modifier, puis touchez Appliquer.
- 4 Pour supprimer un favori, touchez Supprimer.

Options

Cuisson minutée : Réglez une cuisson minutée ou une mise en marche différée.

Préchauffage : L'éclairage du four émet 3 impulsions et un message s'affiche sur l'écran tactile lorsque le préchauffage est terminé (cette fonction n'est pas disponible dans tous les modes).

Température de la sonde alimentaire : Réglez la température de la sonde alimentaire.

Programmation automatique

CUISSON MINUTÉE

La fonction de Cuisson minutée permet d'éteindre automatiquement le four à l'heure spécifiée. Le four commencera à chauffer immédiatement et s'éteindra à l'heure d'arrêt désirée. Si un préchauffage est requis, la durée du préchauffage doit être prise en compte pour déterminer la durée de la cuisson. L'horloge doit être réglée à la bonne heure pour que cette option fonctionne correctement. La fonction de Cuisson minutée peut être utilisée dans tous les modes de cuisson, à l'exception du mode Gourmet+.

Réglage des commandes :

- 1 Sélectionnez le mode de cuisson et la température souhaités.
- 2 Appuyez sur Options.
- 3 Appuyez sur Cuisson minutée.
- 4 Saisissez la durée de cuisson voulue, puis appuyez sur Appliquer.
- 5 Appuyez sur Ok, puis sur Démarrer.
- 6 Le four s'éteint automatiquement lorsque la durée de cuisson programmée est terminée.

MISE EN MARCHÉ DIFFÉRÉE

La fonction mise en marche différée permet de mettre en marche automatiquement le four et de l'éteindre à des heures précisées. Le four demeure en attente jusqu'à l'heure de mise en marche programmée et s'éteint à l'heure d'arrêt programmée. Si un préchauffage est requis, la durée du préchauffage doit être prise en compte pour déterminer la durée de la cuisson. L'horloge doit être réglée à la bonne heure pour que cette option fonctionne correctement. La fonction Mise en marche différée peut être utilisée dans tous les modes de cuisson, à l'exception du mode Garder au chaud.

Réglage des commandes :


- 1 Sélectionnez le mode de cuisson et la température souhaités.
- 2 Appuyez sur Options.
- 3 Appuyez sur Cuisson minutée.
- 4 Saisissez l'heure d'arrêt voulue et la durée de cuisson, puis appuyez sur Appliquer.
- 5 Appuyez sur Ok, puis sur Démarrer.
- 6 Le four s'éteint automatiquement lorsque la durée de cuisson programmée est terminée.

Fonctionnement du four

MINUTERIE


La minuterie peut être réglée pour une période maximale de 99 heures et 59 minutes. Une fois la minuterie programmée, le décompte s'affiche sur l'écran tactile. La minuterie est indépendante du four. Le réglage de la minuterie n'affecte pas la durée de cuisson ou l'heure d'arrêt.

Réglage de la minuterie :

- 1 Appuyez sur .
- 2 Utilisez le clavier pour saisir la durée souhaitée.
- 3 Appuyez sur Démarrer.
- 4 Pour arrêter ou régler la minuterie, appuyez sur le compte à rebours de la minuterie affiché sur l'écran tactile. Saisissez la durée souhaitée, puis appuyez sur Démarrer. Pour arrêter la minuterie, Appuyez sur Arrêter.

SHABBATH

Réglage des commandes :

- 1 Appuyez sur .
- 2 Appuyez sur Paramètres individuels.
- 3 Appuyez sur Mode Shabbath.
- 4 Appuyez sur Marche ou Arrêt.

Lorsqu'il est activé, le mode Shabbath apparaît à l'écran. Sélectionnez entre Cuisson sabbatique et Cuisson sabbatique humide Le four reste allumé jusqu'à 78 heures en mode Shabbath.

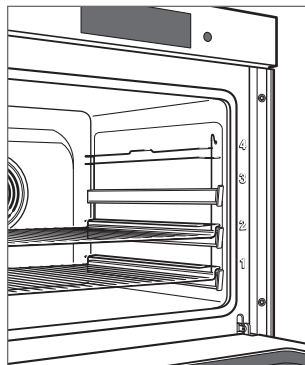
POSITION DE LA GRILLE DU FOUR

Les grilles du four peuvent être placées dans l'une des quatre positions indiquées sur la face avant du four. Reportez-vous à l'illustration ci-dessous. Les positions 1 à 3 de la grille sont en extension complète et la position 4 est standard. Vérifiez que les grilles à extension complète sont poussées à fond vers l'arrière avant de fermer la porte.

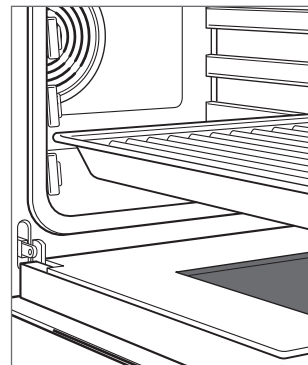
EMPLACEMENT DU MOULE DE CUISSON

Insérez les moules avec le côté incliné vers l'arrière. Reportez-vous à l'illustration ci-dessous.

REMARQUE IMPORTANTE : Utilisez les moules en acier inoxydable pour des températures inférieures à 300°F (150°C). Utilisez la léchefrite émaillée pour les températures supérieures à 300°F (150°C).



Position de la grille du four



Emplacement du moule de cuisson

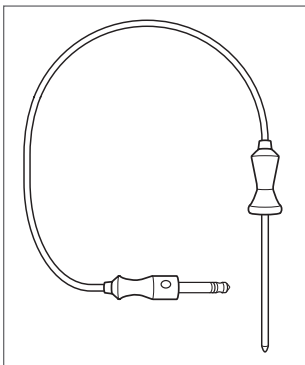
Fonctionnement du four

SONDE À CŒUR

Utilisez uniquement la sonde à cœur noire expédiée avec cet appareil. Reportez-vous à l'illustration ci-dessous. La sonde de température mesure la température interne des aliments pendant la cuisson. La sonde à cœur peut être utilisée avec tous les modes de cuisson, à l'exception de Gourmet+ et Garder au chaud. Une fois la sonde à cœur installée, la température réelle de la sonde est affichée.

⚠ MISE EN GARDE

**Utilisez uniquement la sonde expédiée avec ce four.
N'utilisez pas une sonde provenant d'un autre appareil.**



Sonde à cœur

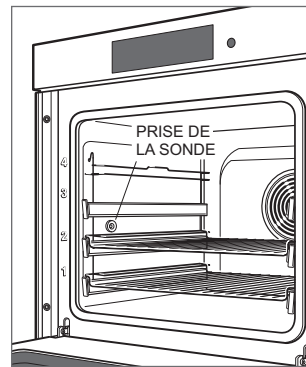
Réglage des commandes :

- 1 Insérez la sonde dans la partie la plus épaisse de l'aliment.
- 2 Placez l'aliment dans le four et insérez le connecteur dans la prise. Reportez-vous à l'illustration ci-dessous.
- 3 Sélectionnez un mode de cuisson.
- 4 Appuyez sur Options, puis sur Température de la sonde.
- 5 Utilisez le clavier numérique pour saisir la température voulue.
- 6 Appuyez sur Appliquer.

Le point de consigne de la sonde s'affiche sur l'écran tactile à côté de la température réelle de la sonde. Pour ajuster la température de la sonde, répétez les étapes 4 à 6.

⚠ MISE EN GARDE



**La sonde et la prise de la sonde seront très chaudes.
Manipulez-les avec soin.**



Prise de la sonde

Fonctionnement du four

Modes de cuisson

MODE	ICÔNE	ÉTENDUE	DESCRIPTION
Convection		90–535°F (30–280°C)	Cuit et dore les aliments de manière uniforme, tout en réduisant la durée de cuisson. Permet la cuisson sur plusieurs grilles.
Humide à convection		90–480°F (30–250°C)	Le four se ferme hermétiquement pour conserver l'humidité et fonctionne en mode convection. Idéal pour les pains rapides et les plats en cocotte.
Cuisson par convection		90–535°F (30–280°C)	L'élément de cuisson cuit les aliments, tandis que le ventilateur de convection assure la circulation de l'air chaud pour les faire dorer et croustiller.
Grillage*		Faible, moyen, élevé	Utilise l'élément de grillage pour saisir intensément et faire brunir les aliments.
Grillage par convection		90–535°F (30–280°C)	Utilise l'élément de grillage et la convection saisir, dorer et obtenir une texture croustillante sur les aliments.
Cuisson		90–535°F (30–280°C)	L'espace de cuisson est chauffé par les éléments supérieurs et inférieurs. Mode de fonctionnement standard pour la cuisine et la cuisson sur une seule grille.
Cuisson humide		90–480°F (30–250°C)	Utilise les éléments de cuisson et de grillage. Le four se ferme hermétiquement pour conserver l'humidité. Pour les pains rapides et les plats en cocotte.
Cuisson lente		Faible, moyen, élevé	Utilise l'élément de cuisson pour obtenir les résultats d'une mijoteuse. À utiliser de préférence avec des ustensiles de cuisine à fond épais.
Gourmet	G	–	Donne des recommandations pour le mode de cuisson et la position de la grille de certains aliments. La température et la durée de cuisson varient selon la cuisson voulue.
Gourmet+	G+	–	Optimise la durée de cuisson, la température et l'humidité tout au long du cycle de cuisson pour une cuisson automatique des aliments sélectionnés.
Rôtissage lent†		–	Rôtit automatiquement les aliments, pour optimiser le niveau de cuisson choisi et le délai voulu.
Garder au chaud		140–210°F (60–100°C)	Utilise la convection pour garder au chaud les aliments chauds cuits.
Auto-nettoyage		Léger, moyen, complet	Pour le nettoyage ordinaire du four.

*Laissez préchauffer pendant trois minutes. †Sonde nécessaire pour ajuster automatiquement le temps de cuisson et la température.

Modes de cuisson

GOURMET

La fonction GOURMET fournit une variété de préparations de repas rapides et pratiques. Le mode Gourmet fournit aussi des recommandations pour la position idéale des grilles et des conseils pour vous permettre de cuisiner en toute confiance.

ALIMENT

Plats au four et gratins

Produits de boulangerie

Poissons et fruits de mer

Fruits et baies

Viande

Volaille

Garnitures

Légumes

Réglage du mode Gourmet :

- 1 Appuyez sur **G**.
- 2 Appuyez sur l'aliment choisi.
- 3 Suivez les directives sur l'écran tactile.
- 4 Appuyez sur Ok, puis sur Démarrer.

GOURMET+

Utilisez le mode Gourmet+ pour préparer tous les aliments énumérés ci-dessous, frais ou réfrigérés. Sélectionnez simplement l'aliment et le mode de cuisson souhaités, et le capteur ajustera automatiquement la durée, la température et l'humidité nécessaires, éliminant ainsi le besoin de directives de cuisson spécifiques.

ALIMENT

Hors d'œuvres frais

Pain tressé

Pain

Gratin

Tarte

Pizza fraîche

Réglage du mode Gourmet+ :

- 1 Appuyez sur **G+**.
- 2 Appuyez sur l'aliment choisi.
- 3 Suivez les directives sur l'écran tactile.
- 4 Appuyez sur Ok, puis sur Démarrer.


Nettoyage

Durant le nettoyage, le four est chauffé jusqu'à une température extrêmement élevée pour brûler les restes d'aliments. Retirez les grilles et les guides de grilles du four. Ils changeront de couleur s'ils sont laissés dans le four pendant le nettoyage.

La durée du cycle de nettoyage peut être ajustée selon le niveau de résidu de cuisson. Pour la saleté légère, la durée du cycle de nettoyage est de 1,5 heure et de 2 heures pour la saleté plus importante. Le cycle complet, y compris le refroidissement, peut prendre jusqu'à 5 heures au total.

Réglage du nettoyage :

- 1 Appuyez sur auto-nettoyage.
- 2 Sélectionnez le niveau de salissure approprié, puis appuyez sur Démarrer.
- 3 Retirez tous les objets et accessoires de l'intérieur du four, puis appuyez sur Ok.
- 4 Ouvrez et fermez la porte pour lancer le cycle.

Pour annuler le mode de nettoyage à tout moment, appuyez sur . La porte du four se verrouille automatiquement et reste verrouillée jusqu'à ce que le cycle de nettoyage soit terminé et que la température à l'intérieur du four soit redescendue en dessous de 570°F (300°C).

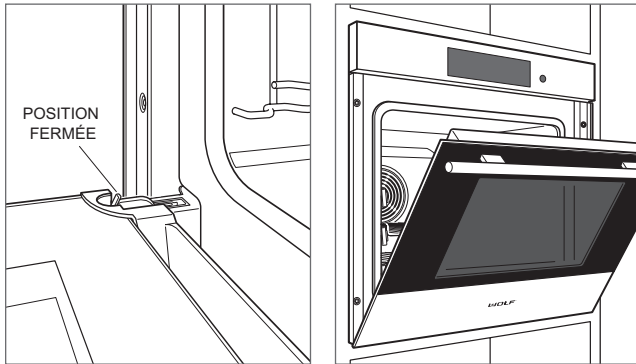
Conseils d'entretien

RETRAIT DE LA PORTE DU FOUR

La porte du four peut être enlevée pour un meilleur nettoyage.

Pour retirer, ouvrez la porte du four complètement. Faites pivoter les deux loquets de charnière vers l'avant en position ouverte. Fermez la porte jusqu'à une ouverture d'environ 30°, puis soulevez-la pour la retirer. Reportez-vous aux illustrations ci-dessous.

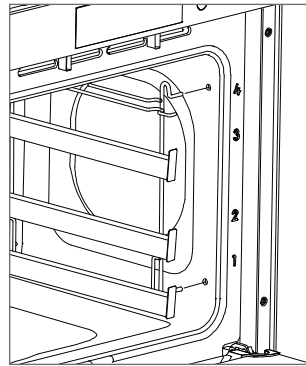
Pour la remettre en place, insérez les charnières de la porte dans les ouvertures du cadre. Ouvrez la porte du four complètement et faites tourner les deux loquets de charnière vers l'arrière en position fermée.



Loquet de charnière de la porte du four Porte ouverte de 30°

RETRAIT DU GUIDE DE GRILLE

Pour retirer les guides de grille, faites pivoter le guide de grille vers l'intérieur, puis tirez vers l'avant. Reportez-vous à l'illustration ci-dessous.



Retrait du guide de grille

Conseils d'entretien

NETTOYAGE

Acier inoxydable	Utilisez un nettoyant non abrasif pour l'acier inoxydable et appliquez-le avec un chiffon doux non pelucheux. Afin de faire ressortir le lustre naturel, essuyez légèrement la surface avec un chiffon en microfibres humide, puis avec une peau de chamois sèche. Suivez toujours le grain de l'acier inoxydable.
Façade de la porte	Pulvérisez du nettoyant à vitre sur un chiffon propre.
Panneau de commande tactile	Utilisez un dégraissant en spray pour éliminer efficacement les empreintes de doigts et les taches de nourriture. Pulvérisez sur un chiffon avant d'essuyer l'écran tactile. Ne pulvérisez pas directement les produits nettoyants sur l'écran tactile.
Intérieur	Pour un nettoyage léger, retirez tous les débris de cuisson tandis que le four est encore tiède au moyen d'un chiffon doux humecté d'eau et d'un détergent doux. Essuyez avec un chiffon doux.
Guides de grille	Enlevez-les et déposez-les sur une surface plate près de l'évier. Nettoyez avec de l'eau chaude et un détergent doux ou une pâte de bicarbonate de soude et d'eau. Ne les plongez pas dans l'eau et n'utilisez pas de dégraissant. Séchez avec une serviette.
Grilles de four et moules en acier inoxydable	Les grilles et les moules en acier inoxydable et perforés peuvent être lavés dans le lave-vaisselle.
Sonde à cœur	Essuyez avec un chiffon doux et de l'eau. Un détergent doux peut être utilisé pour les taches rebelles. Il est important de ne pas immerger la sonde dans l'eau et de ne pas la laver dans le lave-vaisselle.
Lèchefrite émaillée	Nettoyez avec de l'eau chaude et un détergent doux ou une pâte de bicarbonate de soude et d'eau.

Dépannage

FONCTIONNEMENT

Le four ne fonctionne pas.

- Assurez-vous que l'unité est sous tension.
- Vérifiez que l'alimentation électrique du four et le disjoncteur de la maison sont sous tension.

Problème de température du four.

- Communiquez avec le service à la clientèle de Wolf au 800-222-7820 pour obtenir des recommandations.

Le four émette certains bruits pendant le fonctionnement.

- Le four peut émettre des sons de commutation pendant son fonctionnement. Ces bruits sont normaux.

Les plaques de four sont difficiles à retirer.

- Certaines combinaisons de chaleur, d'humidité et d'emplacement des aliments peuvent provoquer la déformation des plaques du four. Les plaques reprendront leur forme initiale une fois refroidies.

Service

- Conservez le niveau de qualité de conception de votre produit en contactant un centre de service agréé par l'usine Wolf. Pour obtenir le nom du centre de service Wolf certifié par l'usine le plus proche, consultez la section Support technique de notre site Web, wolfappliance.com, ou appelez le service à la clientèle de Wolf au 800-222-7820.
- Si vous nous contactez pour un service après-vente, vous devrez fournir le numéro de modèle et le numéro de série de votre produit. Ces deux numéros figurent sur la plaque signalétique du produit. Reportez-vous à la page 6 pour connaître l'emplacement de la plaque signalétique.
- Pour les besoins de la garantie, vous devrez aussi avoir la date d'installation et le nom de votre dépositaire Wolf autorisé. Ces renseignements doivent être notés à la page 3.

Garantie limitée résidentielle Wolf Appliance

POUR UTILISATION RÉSIDENIELLE

GARANTIE COMPLÈTE DE DEUX ANS*

Pendant deux ans à compter de la date d'installation originale, cette garantie de produit Wolf Appliance couvre toutes les pièces et la main-d'œuvre pour réparer ou remplacer, selon un usage résidentiel normal, toute partie du produit qui s'avérerait défectueuse en vertu des matériaux ou de la fabrication. Tout service fourni par Wolf Appliance en vertu de la garantie ci-dessus doit être effectué par un centre de service Wolf certifié par l'usine, sauf indication contraire de la part de Wolf Appliance, Inc. Le service sera fourni pendant les heures normales d'ouverture.

GARANTIE LIMITÉE DE CINQ ANS

Pendant cinq ans à compter de la date originale d'installation, Wolf Appliance réparera les pièces suivantes qui s'avéreront défectueuses en vertu des matériaux ou de la fabrication : les brûleurs au gaz (sauf l'apparence), les éléments de chauffage électrique, les moteurs de soufflerie (hottes de ventilation), les circuits de contrôle électronique, les tubes magnétrons et les génératrices à induction. Si le propriétaire utilise le service Wolf certifié par l'usine, le fournisseur de service réparera ou remplacera ces pièces et le propriétaire paiera pour tous les autres frais, y compris la main-d'œuvre. Si le propriétaire utilise un service non certifié, il doit communiquer avec Wolf Appliance, Inc. (avec les renseignements ci-dessous) pour obtenir des pièces réparées ou de rechange. Wolf Appliance ne remboursera pas le propriétaire pour les pièces achetées d'un service non certifié ou d'autres sources.

CONDITIONS S'APPLIQUANT À CHAQUE GARANTIE

La garantie s'applique uniquement aux produits installés pour un usage résidentiel normal. La garantie s'applique seulement aux produits installés dans l'un des cinquante états des États-Unis, dans le District of Columbia ou les dix provinces du Canada. Cette garantie ne couvre pas les pièces ou la main-d'œuvre pour corriger tout défaut dû à la négligence, un accident ou une utilisation, un entretien, une installation, un service ou une réparation inappropriés.

LES RECOURS DÉCRITS CI-DESSUS POUR CHAQUE GARANTIE SONT LES SEULS QUI SONT OFFERTS PAR WOLF APPLIANCE, INC. EN VERTU DE CETTE GARANTIE OU EN VERTU DE TOUTE GARANTIE DÉCOULANT DE LA LOI. WOLF APPLIANCE, INC. NE SERA PAS RESPONSABLE DES DOMMAGES INDIRECTS OU CONSÉCUTIFS DÉCOULANT DE LA VIOLATION À CETTE GARANTIE OU À TOUTE GARANTIE, EXPRESSE, IMPLICITE OU LÉGALE.

Certaines provinces ne permettent pas l'exclusion ou la restriction des dommages indirects ou consécutifs, par conséquent, la limite ou l'exclusion ci-dessus peut ne pas s'appliquer à votre cas. Cette garantie vous confère des droits légaux précis et vous pouvez aussi avoir d'autres droits légaux qui peuvent varier d'une province à l'autre.

Pour obtenir des pièces ou du service et le nom du centre de service Wolf certifié par l'usine le plus proche, communiquez avec Wolf Appliance, Inc., P.O. Box 44848, Madison WI, 53744 É.-U.; consultez la section Contact et assistance de notre site Web, wolfappliance.com, envoyez-nous un courriel à customerservice@subzero.com ou composez le 800-222-7820.

*L'acier inoxydable (les portes, les panneaux, les poignées, les cadres et les surfaces intérieures) est couvert par une garantie limitée de 60 jours sur les pièces et la main-d'œuvre pour toute défectuosité cosmétique.

*Les filtres de rechange pour les trousse de remise en circulation de hotte de ventilation ne sont pas couverts par la garantie du produit.





WOLF APPLIANCE, INC. P.O. BOX 44848 MADISON, WI 53744 WOLFAPPLIANCE.COM 800.222.7820

9052130 REV-B

9/2023

