

INSTALLATION GUIDE

Pro Ventilation Hood Liners



Contents

Wolf Pro Hood Liners	3
Installation Considerations	4
Pro Hood Liner Specifications	5
Pro Hood Liner Installation	7
Service Information	11

Features and specifications are subject to change at any time without notice. Visit wolfappliance.com/specs for the most up-to-date information.

IMPORTANT NOTE: Throughout this guide, dimensions in parentheses are millimeters unless otherwise specified.

Important Note

To ensure the safe and efficient use of Wolf equipment, please take note of the following types of highlighted information throughout this guide:

IMPORTANT NOTE highlights information that is especially important.

CAUTION signals a situation where minor injury or product damage may occur if instructions are not followed.

WARNING states a hazard that may cause serious injury or death if precautions are not followed.



Pro Hood Liner Installation

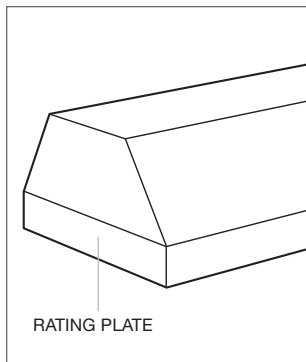
IMPORTANT NOTE: This installation must be completed by a qualified installer or Wolf factory certified service.

Read this entire installation guide and blower installation instructions prior to installation and save for the local inspector's reference. The homeowner should keep this installation guide for future reference.

This appliance must be installed in accordance with National Electrical Codes, as well as all state, municipal and local codes. The correct voltage, frequency and amperage must be supplied to the appliance from a dedicated, grounded circuit which is protected by a properly sized circuit breaker or time delay fuse. The proper voltage, frequency and amperage ratings are listed on the product rating plate.

Record the model and serial numbers before installing the hood liner. Both numbers are listed on the product rating plate, located inside the left wall of the hood liner shell. Refer to the illustration below.

Wolf Pro Hood Liner
Model Number
Serial Number



Location of rating plate (inside hood).

IMPORTANT INSTRUCTIONS

TO REDUCE THE RISK OF FIRE, ELECTRIC SHOCK OR INJURY, OBSERVE THE FOLLOWING:

- Installation work and electrical wiring must be done by qualified person(s) in accordance with all applicable codes and standards, including fire-rated construction.
- Two installers are recommended due to the size and weight of the pro hood liner.
- Install the pro hood liner only with a blower manufactured by Wolf.
- When cutting or drilling into wall or ceiling, do not damage electrical wiring and other hidden utilities.
- Ducted fans must always be vented to the outdoors.

▲ CAUTION

To reduce the risk of fire and properly exhaust air, be certain to duct air outside. Do not vent exhaust air into spaces within walls or ceilings or into attics, crawl spaces or garages.

Installation Considerations

Wolf pro hood liners are recommended for use with all Wolf cooking appliances.

- Proper installation is the responsibility of the installer. Product failure due to improper installation is not covered under the Wolf warranty. Refer to the Wolf pro ventilation hoods use & care guide for warranty details, or visit the contact & support section of our website, wolfappliance.com.
- Warranty service must be performed by Wolf factory certified service. Wolf is not responsible for service required to correct a faulty installation.

DECORATIVE HOODS

The bottom edge of the decorative hood can not extend below the hood liner. The bottom $\frac{3}{4}$ " (19) of the hood liner is stainless steel. The remaining reveal is galvanized metal. Verify the decorative hood does not extend beyond $\frac{3}{4}$ " (19) to ensure the most visually appealing installation.

BLOWER ASSEMBLIES

Wolf pro hood liners are shipped without a blower assembly. Internal, in-line and remote blowers are available through your authorized Wolf dealer. For local dealer information, visit the find a showroom section of our website, wolfappliance.com.

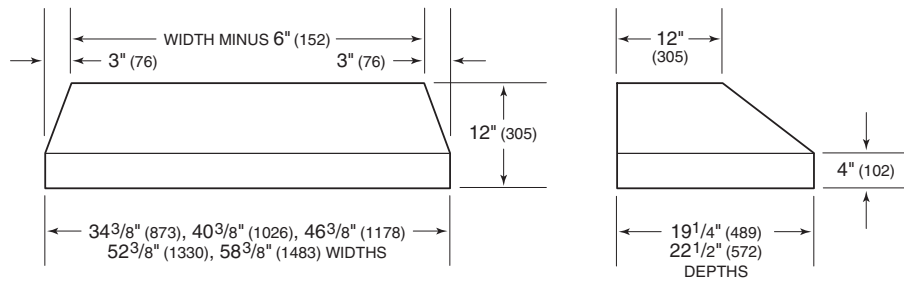
Blower size is dependant on the size of the cooking surface, volume of air being moved and length of the duct run. Refer to ventilation recommendations in the Wolf design guide.

In-line and remote blowers require a Romex® (not provided) from the blower to the ventilation hood.

For blower installation, refer to specific instructions provided with each blower. Additional information can also be found on our website, wolfappliance.com.

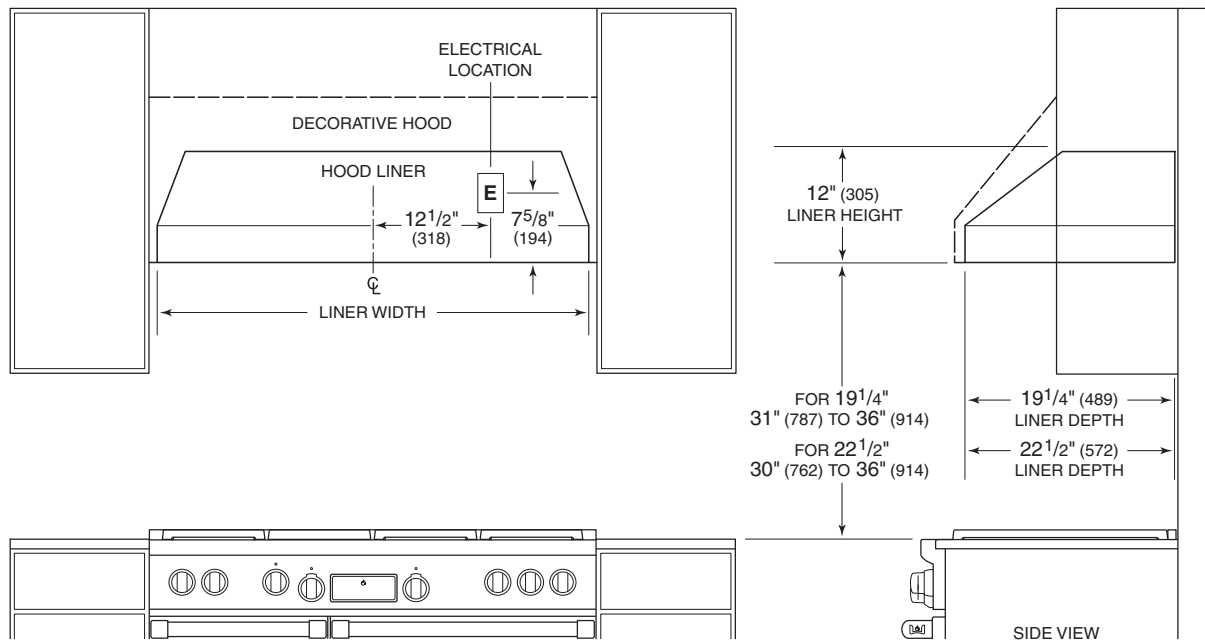
Overall Dimensions

PRO HOOD LINERS



Installation

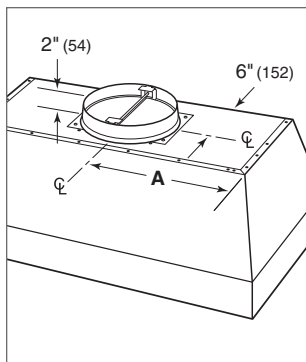
PRO HOOD LINERS



Discharge Specifications

The illustration below provides dimensions critical for proper installation of the pro hood liner. Dimension A in the illustration will vary with the width of the hood liner. Refer to the chart below.

Pro Hood Liners	
HOOD LINER WIDTH	A
34 ³ / ₈ " (873)	14 ³ / ₁₆ " (378)
40 ³ / ₈ " (1026)	17 ³ / ₁₆ " (437)
46 ³ / ₈ " (1178)	20 ³ / ₁₆ " (513)
52 ³ / ₈ " (1330)	23 ³ / ₁₆ " (589)
58 ³ / ₈ " (1483)	26 ³ / ₁₆ " (665)



Hood liner discharge.

Electrical Requirements

Wolf pro hood liners require a separate, grounded 120 V AC, 60 Hz power supply. The service should have its own 15 amp circuit breaker. Locate the electrical supply within the shaded area shown in the installation illustration on the previous page.

In-line and remote blowers require a Romex® (not provided) from the blower to the ventilation hood.

IMPORTANT NOTE: You must follow all National Electrical Code regulations. In addition, be aware of local codes and ordinances when installing your service.

⚠ WARNING

Risk of electrical shock. This hood must be properly grounded. Electrical service for the hood must be installed by a qualified electrician in accordance with all applicable national and local electrical codes.

Install Ductwork

⚠ WARNING

To reduce the risk of fire, use only metal ductwork.

10" (254) round, rigid metal duct is recommended for pro hood liners.

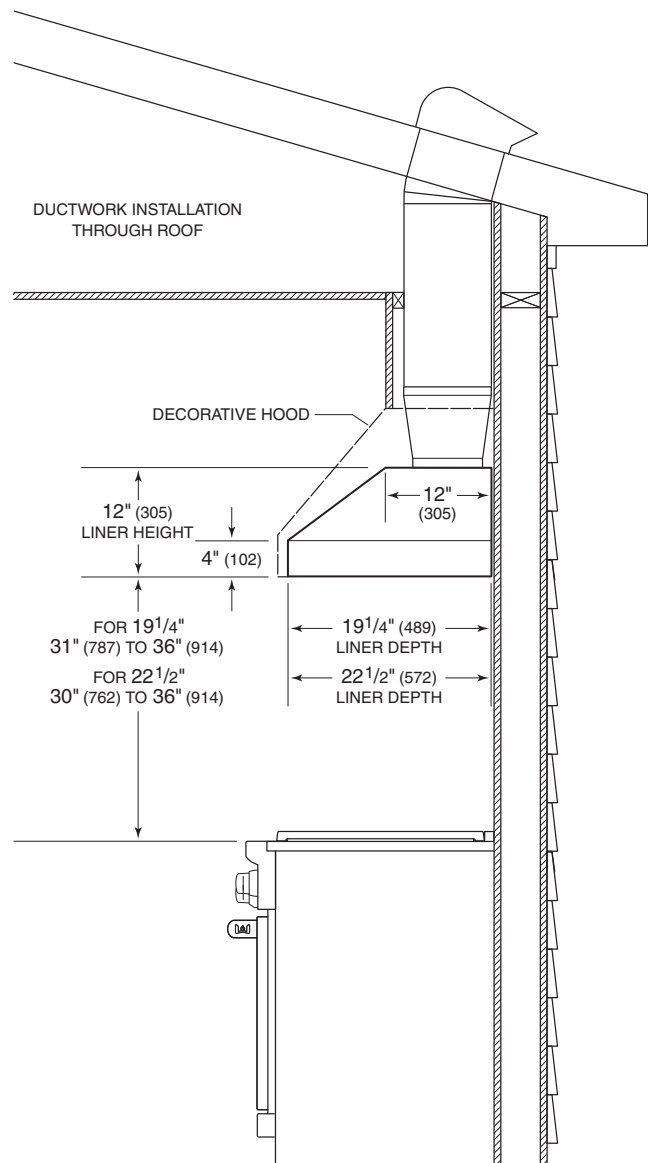
A straight, short run is most effective and will ensure proper operation. For best results, duct run should not exceed 50' (15 m). For runs exceeding 50' (15 m), a higher CFM blower may be required to maintain proper air flow and performance. A remote blower installed on a short duct run may increase the potential for noise.

Internal and in-line blowers require a roof or wall cap (not provided). Connect ductwork to the cap and work back towards the hood liner. Use sheet metal screws and aluminum tape or high temperature duct tape to seal joints between ductwork sections.

All pro hood liners include a backdraft damper in the transition assembly. Local codes may require the use of an additional backdraft and/or make-up air damper. Contact your local HVAC professional for specific requirements.

Backdraft and make-up air dampers are available through your authorized Wolf dealer. For local dealer information, visit the find a showroom section of our website, wolfappliance.com.

PRO HOOD LINERS

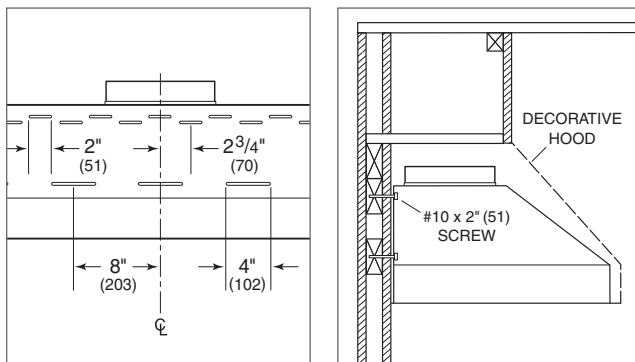


Wall Preparation

Minimum 2" (51) x 4" (102) lumber is required to construct wall framing. Refer to the illustration below for mounting hole locations and a cross-section view of a typical installation.

⚠ WARNING

Framing must be able to support the weight of the hood and internal blower, if applicable.



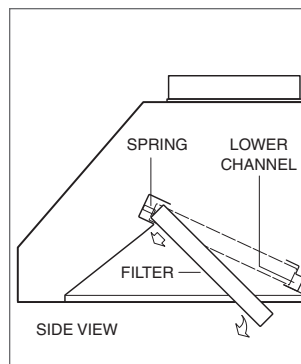
Mounting hole locations.

Installation cross-section.

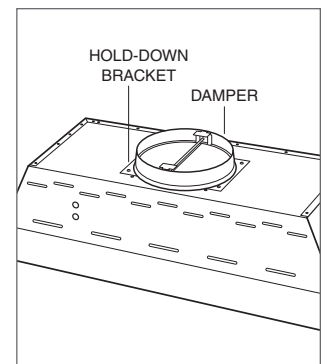
Hood Liner Preparation

IMPORTANT NOTE: Remove all packaging material from hood liner and damper. Failure to remove material will obstruct airflow and significantly decrease performance.

- 1) To remove filters, press upward then rotate bottom outward. Refer to the illustration below. To aid in removal, remove center filter first. Gloves should be worn when handling filters.
- 2) The damper is packaged inside the hood liner in a separate box. Remove damper from box and place it on top of the hood liner using the hold-down brackets.
- 3) Secure hold-down brackets to damper flange with screws provided. Refer to the illustration below.
- 4) Seal with aluminum tape or high temperature duct tape.
- 5) Connect damper to duct using sheet metal screws and aluminum tape or high temperature duct tape. Verify screws do not affect the operation of the damper.



Filter removal.



Mount damper.

Hood Liner Installation

Position the hood liner in the desired location. Insert #10 x 2" (59) screws through the mounting holes on the back plate. Verify the screws engage two wall studs or blocking.

If additional support is required, drill supplementary holes through the back plate and secure with screws.

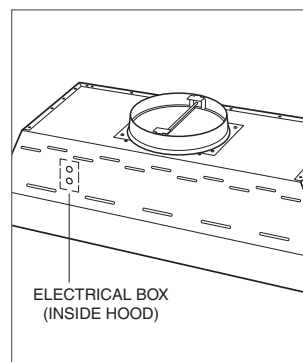
Electrical Connection

⚠ WARNING

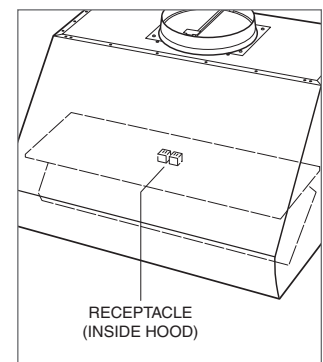
Before making electrical connections, make sure the electrical power is turned off at the service panel.

IMPORTANT NOTE: Refer to specific installation instructions provided with each blower assembly for additional mounting and wiring instructions.

- 1) Remove the electrical box cover from inside the hood liner. Insert Romex® from service panel (and Romex® from in-line or remote blower, if applicable) through the back of the hood liner and into the electrical box. Secure with an appropriate electrical connector. Refer to the illustration below.
- 2) Use wire connectors provided to connect black to black, white to white and green to green/bare wire. For in-line and remote blowers, attach the cord assembly to Romex® from the blower.
- 3) Place all wiring connections inside the electrical box and reinstall electrical box cover. Verify all wires are secure and not pinched between cover.
- 4) Insert cord assembly plug into hood liner receptacle. Refer to the illustration below. Turn on power and check operation.



Location of electrical box.



Location of receptacle.

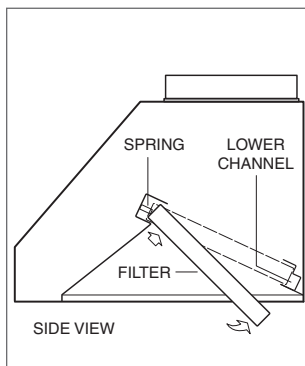
Complete the Installation

FILTER INSTALLATION

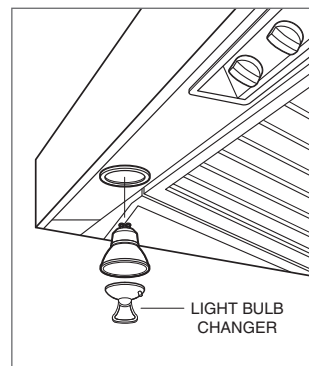
To install filters, press upward then rotate bottom outward. The filter vanes should be placed perpendicular to the front of the hood. Refer to the illustration below. To aide in removal, remove center filter first. Gloves should be worn when handling filters.

LIGHT BULB INSTALLATION

A suction-cup-style light bulb changer is provided with pro hood liners. Use the changer to push the bulb into the receptacle and rotate counterclockwise one-quarter turn. Refer to the illustration below.



Filter installation.



Light bulb installation.

Troubleshooting

IMPORTANT NOTE: If the pro hood liner does not operate properly, follow these troubleshooting steps:

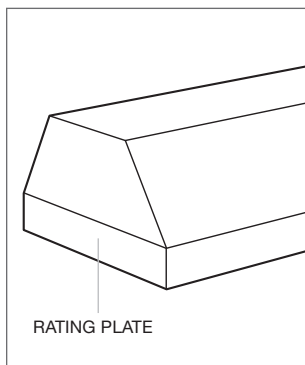
- Verify electrical power is supplied to the appliance.
- Verify all packaging material has been removed.
- If the appliance does not operate properly, contact Wolf factory certified service. Do not attempt to repair. Wolf is not responsible for service required to correct a faulty installation.

Service Information

If service is necessary, maintain the quality built into your pro hood liner by contacting Wolf factory certified service.

For the name and number of Wolf factory certified service nearest you, check the contact & support section of our website, wolfappliance.com or call Wolf customer care at 800-222-7820.

When calling for service, you will need the model and serial numbers of the hood liner. This information is found on the product rating plate, located inside the left wall of the hood liner shell. Refer to the illustration below.



Location of rating plate
(inside hood).

▲ WARNING

Before servicing or cleaning, switch power off at the service panel and lock the service disconnecting means to prevent power from being switched on accidentally. If it cannot be locked, securely fasten a prominent warning tag, to the service panel.

The information and images in this guide are the copyright property of Wolf Appliance, Inc. Neither this guide nor any information or images contained herein may be copied or used in whole or in part without the express written permission of Wolf Appliance, Inc. ©Wolf Appliance, Inc. all rights reserved.

Wolf, Wolf & Design, Wolf Gourmet, W & Design and the color red as applied to knobs are registered trademarks and service marks of Wolf Appliance, Inc. Sub-Zero, Sub-Zero & Design, Dual Refrigeration, Constant Care and The Living Kitchen are registered trademarks and service marks of Sub-Zero, Inc. (collectively, the "Company Marks.") All other trademarks or registered trademarks are property of their respective owners in the United States and other countries.



WOLF APPLIANCE, INC. P. O. BOX 44848 MADISON, WI 53744 WOLFAPPLIANCE.COM 800.222.7820

821558 REV-B

8/2012

