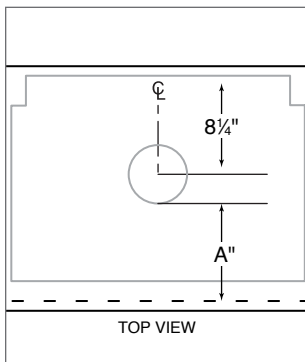


## CONTENTS

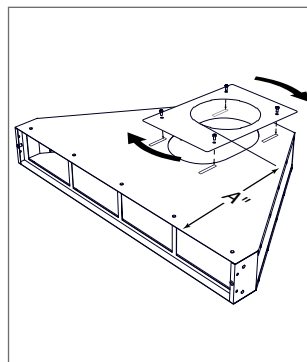
1	Housing, recirculation
1	Filter, charcoal
1	Cover, kickplate
4	Screw, $\frac{5}{8}$ "
2	Screw, $\frac{5}{16}$ "
1	Damper

## INSTALLATION

- 1 Cut a 7" diameter hole in the base of the cabinet. The center line for the hole must be  $8\frac{1}{4}$ " from the back of the countertop cutout. Refer to the illustration below.
- 2 Measure the distance from the toe kick to the front edge of the hole (dimension "A"). See illustration below.
- 3 Use the "A" dimension to properly position the front edge of the hole on the adapter plate then install using the existing screws. The recirculation housing holes are slotted and the adapter plate can be rotated 180° for maximum adjustment.

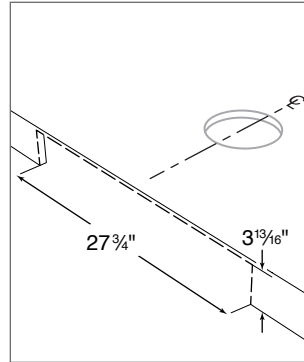


Cabinet hole cut-out

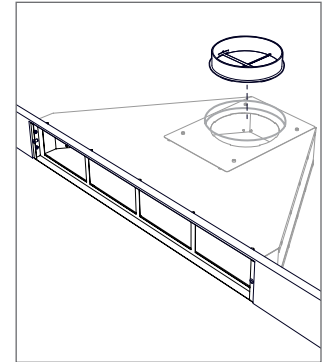


Position adapter plate

- 4 Remove a  $27\frac{3}{4}$ " x  $3\frac{13}{16}$ " section of the cabinet toekick. See illustration below.
- 5 Insert the recirculation housing into the opening then install the damper. Measure, cut and install the appropriate length of duct to connect the damper to the discharge of the downdraft blower. Duct is not included.

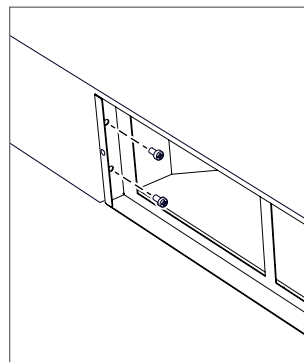


Toe kick cut-out

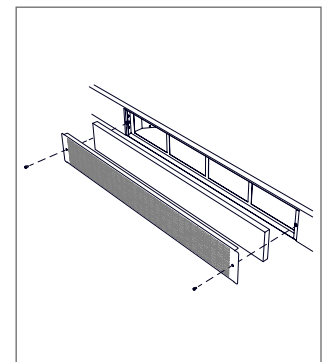


Install damper

- 6 Secure the recirculation housing to the cabinet toekick using the four screws provided.
- 7 Place the filter on the front of the recirculation housing then install the kickplate cover using the two screws provided.



Secure recirculation housing



Install filter and toekick

