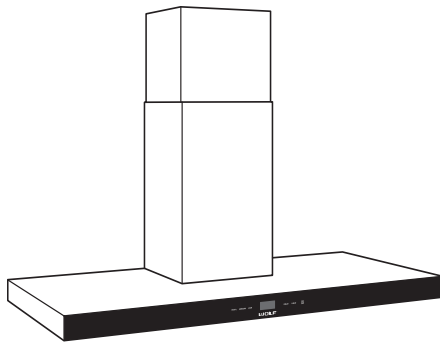


FEATURES

- Heavy-duty, stainless steel seamless construction with black glass front.
- Internal, in-line or remote blower required (sold separately).
- Telescopic chimney.
- Black glass touch control panel with display.
- Three-speed blower with boost to temporarily increase airflow.
- LED lighting with high and low settings.
- Delay-off feature to automatically turn unit off.
- Filter clean indicator.
- Dishwasher-safe filters.
- Transition with backdraft damper.



Model VW45B

BLOWER OPTIONS

MODEL VW45B	CFM
Internal	300*, 600
In-line	600
Remote	600

**For make-up air restricted applications.*

Cooktop hoods are recommended for use with Wolf induction, electric and gas cooktops and integrated modules. For Wolf ranges and rangetops, a pro ventilation hood is recommended.

ACCESSORIES

- Internal, in-line and remote blowers (refer to chart).
- Remote control.
- Chimney extension.
- Recirculating kit and filter for non-ducted applications.
- Make-up air damper.

Accessories available through an authorized Wolf dealer. For local dealer information, visit the find a showroom section of our website, wolfappliance.com.

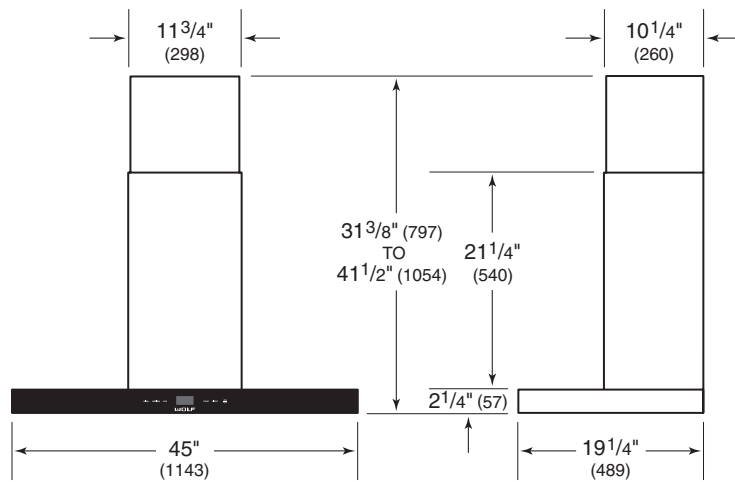
SPECIFICATIONS

PRODUCT	
Dimensions	45"W x 2 ¹ / ₄ "H x 19 ¹ / ₄ "D
Overall Height	31 ³ / ₈ " – 41 ¹ / ₂ "
Weight	62 lb
DISCHARGE	
Vertical	6" Round
ELECTRICAL	
Supply	110/120 VAC, 60 Hz
Service	15 amp circuit
INSTALLATION	
Bottom of Hood to Countertop	30" – 36"

Specifications are subject to change without notice. Visit wolfappliance.com/specs for the most up-to-date information.

Dimensions may vary ±¹/₈" (3). Dimensions in parentheses are millimeters unless otherwise specified.

DIMENSIONS



ELECTRICAL LOCATION

