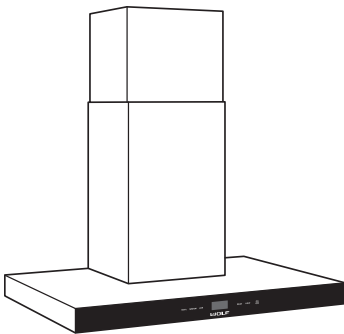


## FEATURES

- Heavy-duty, stainless steel seamless construction with black glass front.
- Internal, in-line or remote blower required (sold separately).
- Telescopic chimney.
- Black glass touch control panel with display.
- Three-speed blower with boost to temporarily increase airflow.
- LED lighting with high and low settings.
- Delay-off feature to automatically turn unit off.
- Filter clean indicator.
- Dishwasher-safe filters.
- Transition with backdraft damper.



Model VW30B

## BLOWER OPTIONS

MODEL VW30B	CFM
Internal	300*, 600
In-line	600
Remote	600

*\*For make-up air restricted applications.*

Cooktop hoods are recommended for use with Wolf induction, electric and gas cooktops and integrated modules. For Wolf ranges and rangetops, a pro ventilation hood is recommended.

## ACCESSORIES

- Internal, in-line and remote blowers (refer to chart).
- Remote control.
- Chimney extension.
- 30" high stainless steel wall shield.
- Recirculating kit and filter for non-ducted applications.
- Make-up air damper.

Accessories available through an authorized Wolf dealer. For local dealer information, visit the find a showroom section of our website, wolfappliance.com.

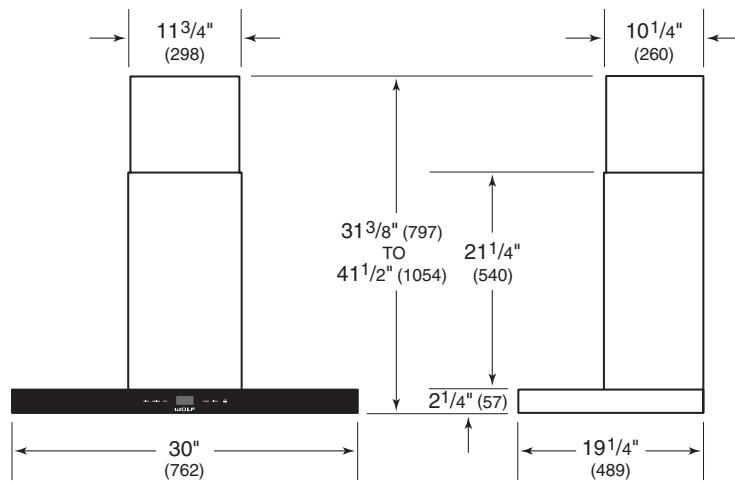
**SPECIFICATIONS**

<b>PRODUCT</b>	
Dimensions	30"W x 2 <sup>1</sup> / <sub>4</sub> "H x 19 <sup>1</sup> / <sub>4</sub> "D
Overall Height	31 <sup>3</sup> / <sub>8</sub> " – 41 <sup>1</sup> / <sub>2</sub> "
Weight	53 lb
<b>DISCHARGE</b>	
Vertical	6" Round
<b>ELECTRICAL</b>	
Supply	110/120 VAC, 60 Hz
Service	15 amp circuit
<b>INSTALLATION</b>	
Bottom of Hood to Countertop	30" – 36"

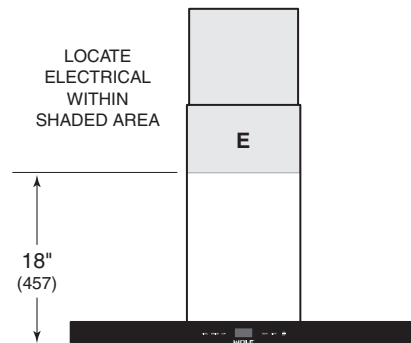
Specifications are subject to change without notice. Visit [wolfappliance.com/specs](http://wolfappliance.com/specs) for the most up-to-date information.

Dimensions may vary ±<sup>1</sup>/<sub>8</sub>" (3). Dimensions in parentheses are millimeters unless otherwise specified.

**DIMENSIONS**



**ELECTRICAL LOCATION**



30" (762) TO 36" (914) BOTTOM EDGE TO COUNTERTOP