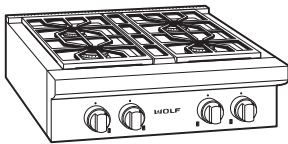


FEATURES

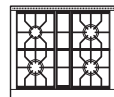
- Dual-stacked sealed surface burners with flame recognition and automatic reignition for safety and ease of use.
- Heavy-duty stainless steel exterior with island trim.
- Individual spark ignition system—only the burner in use will spark.
- Porcelain-coated, cast iron continuous burner grates.
- Signature red control knobs with infinite control.



Model SRT304



MODEL OPTIONS	
Natural Gas	SRT304
LP Gas	SRT304-LP



SRT304

ACCESSORIES

- 5" and 10" stainless steel risers, and 20" riser with shelf.
- Signature red, black or stainless steel control knobs.
- Stainless steel, brass or chrome bezels.
- Cast iron S-grates and wok grate.
- High altitude conversion kit—LP above 8,600' and NG above 10,250'.

Accessories available through an authorized Wolf dealer. For local dealer information, visit the find a showroom section of our website, wolfappliance.com.

SPECIFICATIONS

PRODUCT	
Dimensions	29 ⁷ / ₈ " W x 8 ¹ / ₂ " H x 28 ¹ / ₂ " D
Weight	160 lb
ELECTRICAL	
Supply	110/120 VAC, 60 Hz
Service	15 amp circuit
GAS	
Supply	³ / ₄ " rigid pipe
Inlet	¹ / ₂ " NPT female

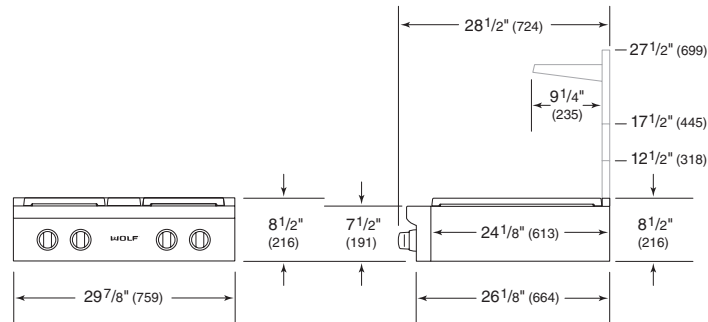
BURNER RATING (Btu)

SURFACE	SIMMER	HIGH
Large (3)	950	15,000
Small	325	9,200

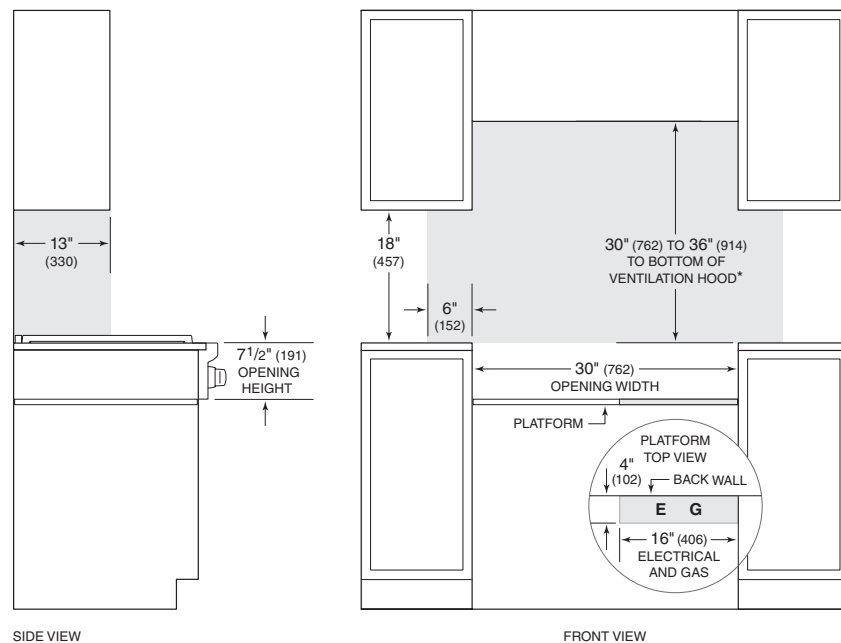
Specifications are subject to change without notice. Visit wolfappliance.com/specs for the most up-to-date information.

Dimensions may vary ±¹/₈" (3). Dimensions in parentheses are millimeters unless otherwise specified.

DIMENSIONS



INSTALLATION



*Without ventilation hood, 36" (914) minimum clearance countertop to combustible materials, 44" (118) for charbroiler.
 NOTE: Shaded area above countertop indicates minimum clearance to combustible surfaces, combustible materials cannot be located within this area.
 Electrical and gas supply located through bottom of platform.
 For island installation, 12" (305) minimum clearance back of range to combustible rear wall above countertop.