

# INSTALLATION GUIDE

Pro Wall Ventilation Hoods



## Contents

Wolf Pro Wall Ventilation Hoods . . . . .	3
Installation Considerations . . . . .	4
Pro Wall Hood Specifications . . . . .	5
Pro Wall Hood Installation . . . . .	10
Service Information . . . . .	18

Features and specifications are subject to change at any time without notice. Visit [wolfappliance.com/specs](http://wolfappliance.com/specs) for the most up-to-date information.

**IMPORTANT NOTE:** Throughout this guide, dimensions in parentheses are millimeters unless otherwise specified.

## Important Note

To ensure the safe and efficient use of Wolf equipment, please take note of the following types of highlighted information throughout this guide:

**IMPORTANT NOTE** highlights information that is especially important.

**CAUTION** signals a situation where minor injury or product damage may occur if instructions are not followed.

**WARNING** states a hazard that may cause serious injury or death if precautions are not followed.



### Pro Wall Hood Installation

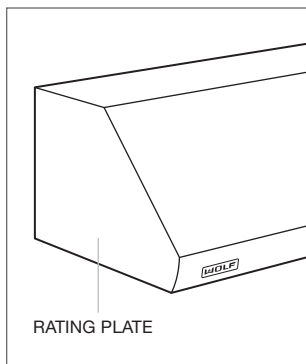
**IMPORTANT NOTE:** This installation must be completed by a qualified installer or Wolf factory certified service.

Read this entire installation guide and blower installation instructions prior to installation and save for the local inspector's reference. The homeowner should keep this installation guide for future reference.

This appliance must be installed in accordance with National Electrical Codes, as well as all state, municipal and local codes. The correct voltage, frequency and amperage must be supplied to the appliance from a dedicated, grounded circuit which is protected by a properly sized circuit breaker or time delay fuse. The proper voltage, frequency and amperage ratings are listed on the product rating plate.

Record the model and serial numbers before installing the ventilation hood. Both numbers are listed on the product rating plate, located inside the left wall of the hood. Refer to the illustration below.

Wolf Pro Ventilation Hood
Model Number
Serial Number



Location of rating plate (inside hood).

## IMPORTANT INSTRUCTIONS

### TO REDUCE THE RISK OF FIRE, ELECTRIC SHOCK OR INJURY, OBSERVE THE FOLLOWING:

- Installation work and electrical wiring must be done by qualified person(s) in accordance with all applicable codes and standards, including fire-rated construction.
- Two installers are recommended due to the size and weight of the pro ventilation hood.
- Install the pro ventilation hood only with a blower manufactured by Wolf.
- When cutting or drilling into wall or ceiling, do not damage electrical wiring and other hidden utilities.
- Ducted fans must always be vented to the outdoors.

#### **⚠ CAUTION**

To reduce the risk of fire and properly exhaust air, be certain to duct air outside. Do not vent exhaust air into spaces within walls or ceilings or into attics, crawl spaces or garages.

### Installation Considerations

Wolf pro ventilation hoods are recommended for use with all Wolf cooking appliances.

- For best performance in wall applications, a 27" (686) deep hood is recommended for models with a char-broiler or griddle.
- Proper installation is the responsibility of the installer. Product failure due to improper installation is not covered under the Wolf warranty. Refer to the Wolf pro ventilation hoods use & care guide for warranty details, or visit the contact & support section of our website, [wolfappliance.com](http://wolfappliance.com).
- Warranty service must be performed by Wolf factory certified service. Wolf is not responsible for service required to correct a faulty installation.

### BLOWER ASSEMBLIES

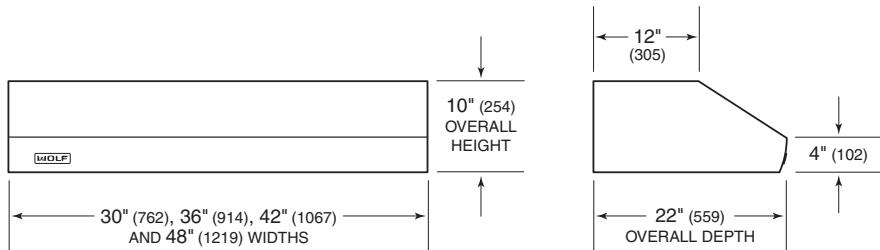
Wolf pro ventilation hoods are shipped without a blower assembly. Internal, in-line and remote blowers are available through your authorized Wolf dealer. For local dealer information, visit the find a showroom section of our website, [wolfappliance.com](http://wolfappliance.com).

Blower size is dependant on the size of the cooking surface, volume of air being moved and length of the duct run. Refer to ventilation recommendations in the Wolf design guide.

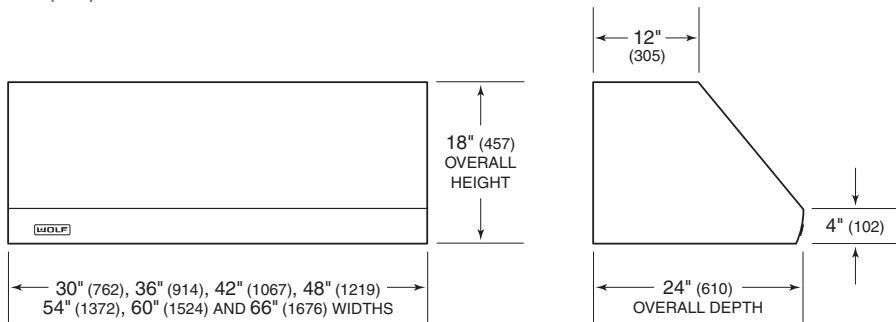
In-line and remote blowers require Romex® (not provided) from the blower to the ventilation hood. For blower installation, refer to specific instructions provided with each blower. Additional information can also be found on our website, [wolfappliance.com](http://wolfappliance.com).

### Overall Dimensions

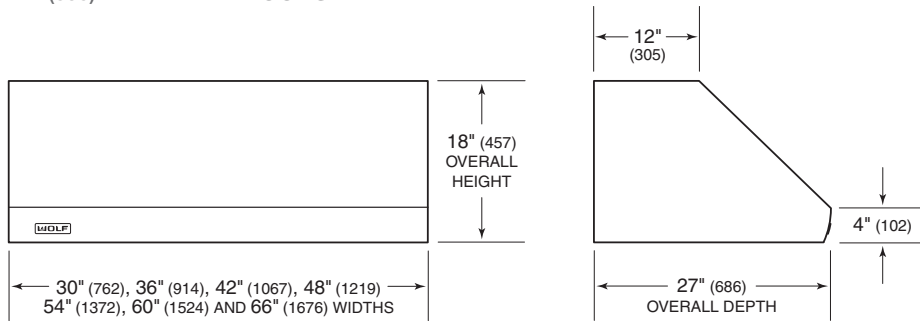
#### LOW-PROFILE WALL HOODS



#### 24" (610) DEEP WALL HOODS

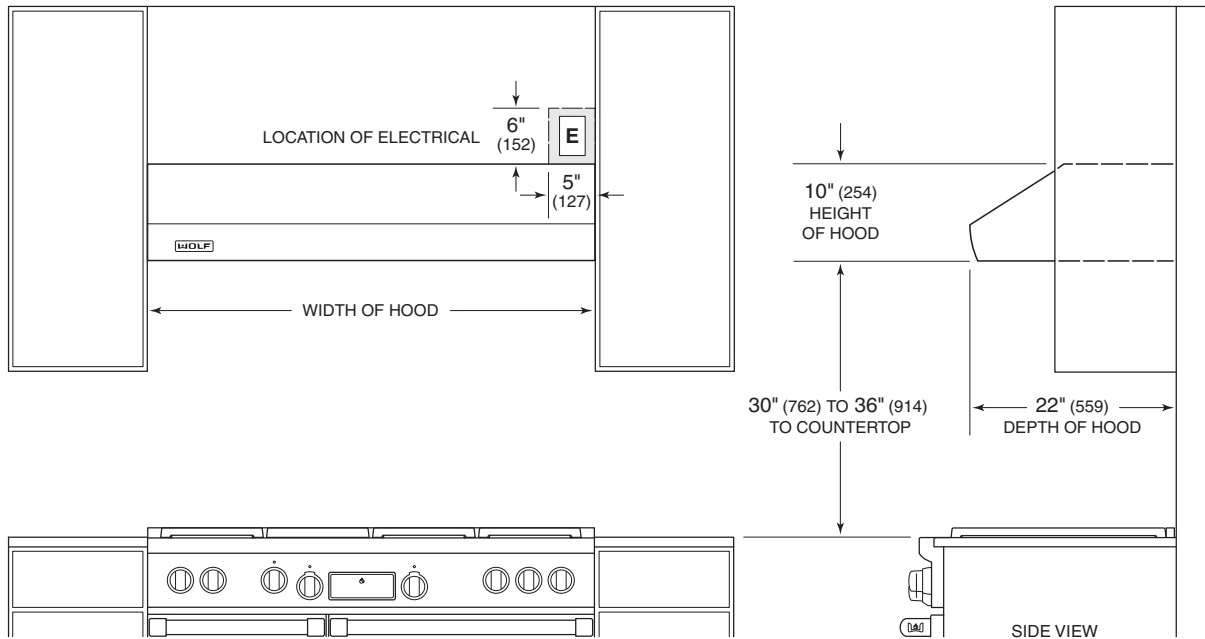


#### 27" (686) DEEP WALL HOODS

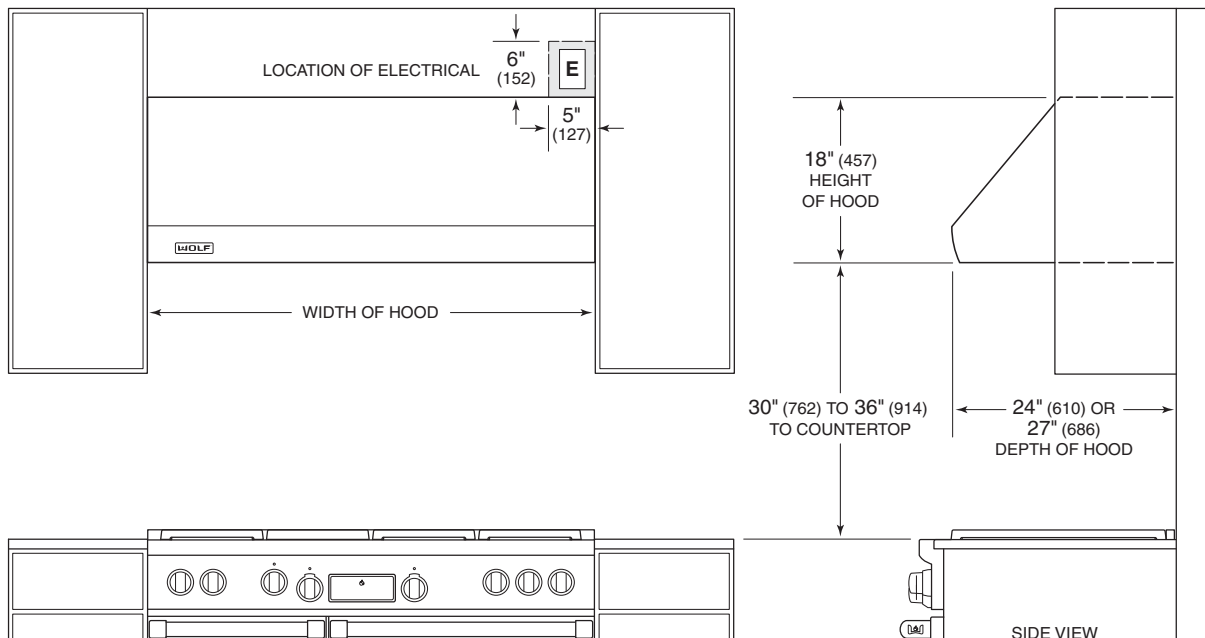


Installation

LOW-PROFILE WALL HOODS



24" AND 27" DEEP WALL HOODS



## Electrical Requirements

Wolf pro ventilation hoods require a separate, grounded 120 V AC, 60 Hz power supply. The service should have its own 15 amp circuit breaker. Locate the electrical supply within the shaded area shown in the installation illustration on the previous page.

In-line and remote blowers require Romex® (not provided) from the blower to the ventilation hood.

**IMPORTANT NOTE:** You must follow all National Electrical Code regulations. In addition, be aware of local codes and ordinances when installing your service.

### **⚠ WARNING**

**Risk of electrical shock. This hood must be properly grounded. Electrical service for the hood must be installed by a qualified electrician in accordance with all applicable national and local electrical codes.**

## Installation Options

### HORIZONTAL DISCHARGE

Pro low-profile wall hoods have an adjustable discharge. Pro 24" (610) and 27" (686) deep wall hoods have a vertical discharge. A horizontal discharge kit is available through your authorized Wolf dealer. For local dealer information, visit the find a showroom section of our website, [wolfappliance.com](http://wolfappliance.com).

### RECIRCULATING INSTALLATION

Pro wall hoods, 30" (762) and 36" (914) wide, with an internal blower (600 CFM or less), can be used in a non-ducted application with a recirculating filter. In this installation, kitchen air is purified through filters and returned as clean air into the room. A recirculation kit available through your authorized Wolf dealer is required. For local dealer information, visit the find a showroom section of our website, [wolfappliance.com](http://wolfappliance.com).

### DUCT COVER

Optional stainless steel duct covers, in multiple heights, are available through your authorized Wolf dealer. Duct covers must be attached to ventilation hood prior to hood installation. For local dealer information, visit the find a showroom section of our website, [wolfappliance.com](http://wolfappliance.com).

### BACKSPLASH

Optional stainless steel backsplashes, in widths to match all pro wall hoods, are available through your authorized Wolf dealer. Backsplash must be installed prior to hood installation. For local dealer information, visit the find a showroom section of our website, [wolfappliance.com](http://wolfappliance.com).

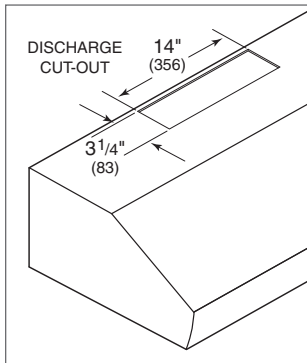
## Discharge Specifications

### LOW-PROFILE WALL HOODS

The illustrations provide dimensions for discharge options for low-profile wall hoods. These dimensions are critical for proper installation. Dimension A in the illustrations will vary with the width of the hood. Refer to the chart below.

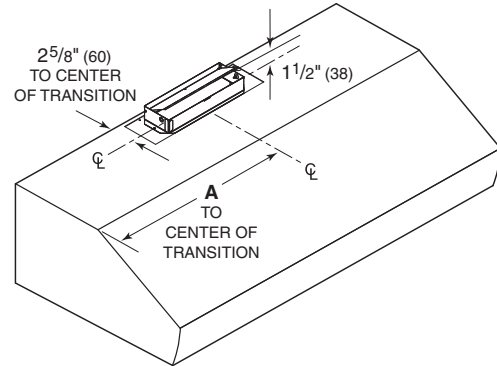
Low-Profile Wall Hoods	
WIDTH OF HOOD	A
30" (762)	14 <sup>3</sup> / <sub>4</sub> " (375)
36" (914)	17 <sup>3</sup> / <sub>4</sub> " (451)
42" (1067)*	20 <sup>3</sup> / <sub>4</sub> " (527)
48" (1219)*	23 <sup>3</sup> / <sub>4</sub> " (603)

\*500 CFM blower not available for these hood widths.

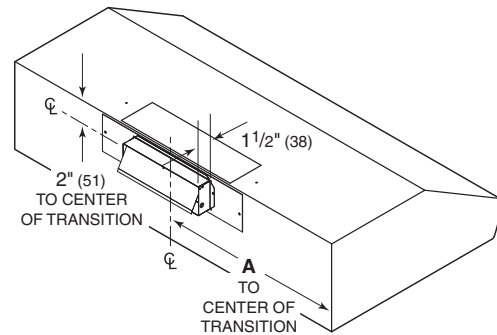


Cut-out without transition.

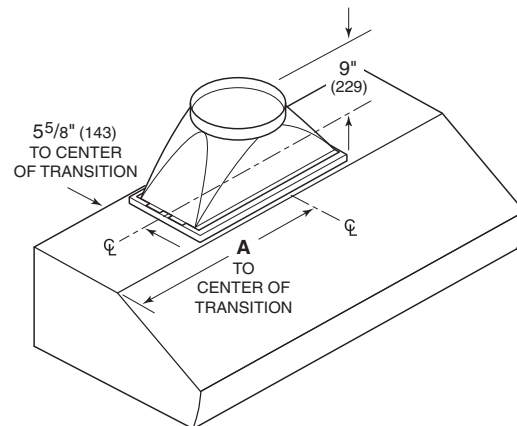
### LOW-PROFILE WALL HOODS DISCHARGE OPTIONS



Vertical discharge.



Horizontal discharge.



Vertical discharge with accessory transition.



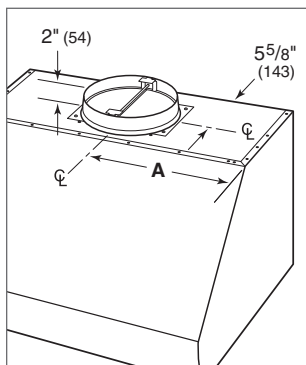
## Discharge Specifications

### 24" AND 27" DEEP WALL HOODS

The illustration below provides dimensions for vertical discharge for 24" (610) and 27" (686) deep wall hoods. These dimensions are critical for proper installation. Dimension A in the illustration will vary with the width of the hood. Refer to the chart below.

An optional horizontal discharge kit is available through your authorized Wolf dealer. For local dealer information, visit the find a showroom section of our website, wolfappliance.com.

24" and 27" Deep Wall Hoods	
WIDTH OF HOOD	A
30" (762)	14 <sup>3</sup> / <sub>4</sub> " (375)
36" (914)	17 <sup>3</sup> / <sub>4</sub> " (451)
42" (1067)*	20 <sup>3</sup> / <sub>4</sub> " (527)
48" (1219)*	23 <sup>3</sup> / <sub>4</sub> " (603)
54" (1372)*	26 <sup>3</sup> / <sub>4</sub> " (679)
60" (1524)*	29 <sup>3</sup> / <sub>4</sub> " (756)
66" (1676)*	32 <sup>3</sup> / <sub>4</sub> " (832)



24" and 27" deep wall hoods—vertical discharge.

## Install Ductwork

### ⚠ WARNING

To reduce the risk of fire, use only metal ductwork.

10" (254) round, rigid metal duct is recommended for pro ventilation hoods.

A straight, short run is most effective and will ensure proper operation. For best results, duct run should not exceed 50' (15 m). For runs exceeding 50' (15 m), a higher CFM blower may be required to maintain proper air flow and performance. A remote blower installed on a short duct run may increase the potential for noise.

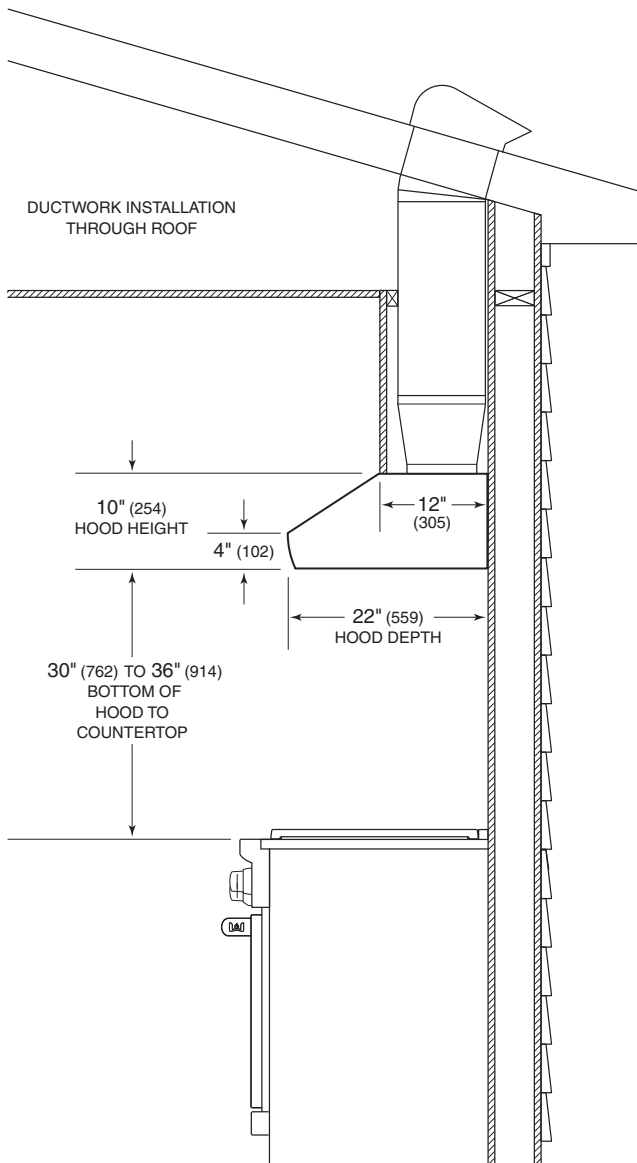
Internal and in-line blowers require a roof or wall cap (not provided). Connect ductwork to the cap and work back towards the ventilation hood. Use sheet metal screws and aluminum tape or high temperature duct tape to seal joints between ductwork sections.

All pro ventilation hoods include a backdraft damper in the transition assembly. Local codes may require the use of an additional backdraft and/or make-up air damper. Contact your local HVAC professional for specific requirements.

Backdraft and make-up air dampers are available through your authorized Wolf dealer. For local dealer information, visit the find a showroom section of our website, [wolfappliance.com](http://wolfappliance.com).

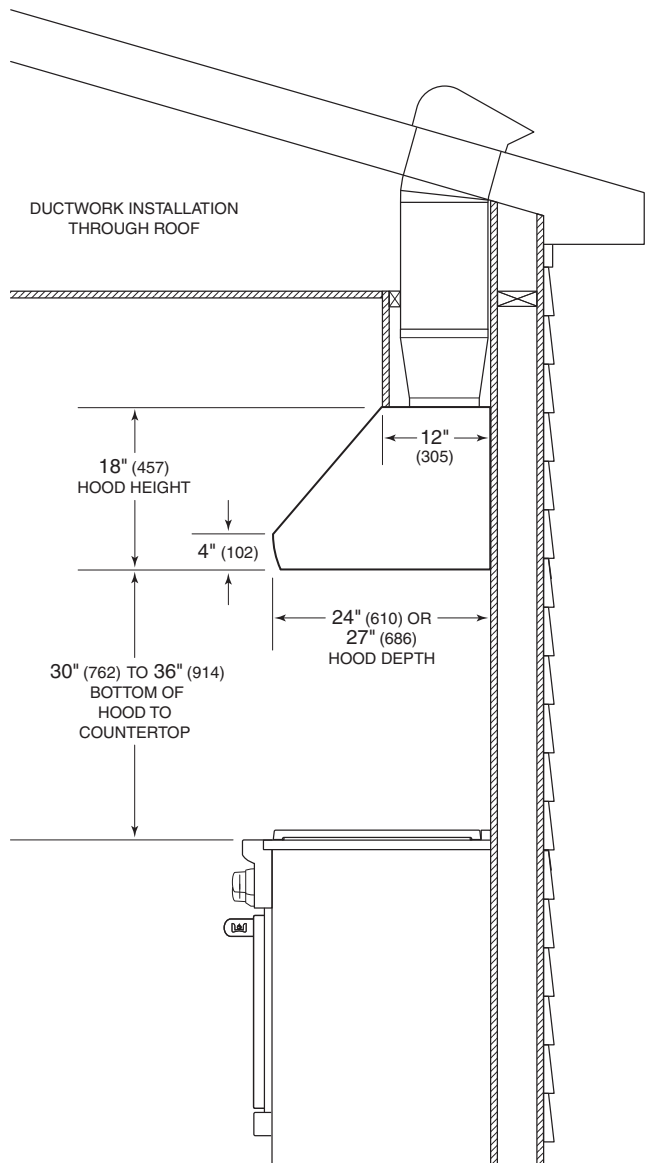
Install Ductwork

LOW-PROFILE WALL HOODS



NOTE: 10" (254) round transition shown in vertical discharge application with in-line or remote blower. Refer to installation instructions included with blower for horizontal discharge.

24" AND 27" DEEP WALL HOODS



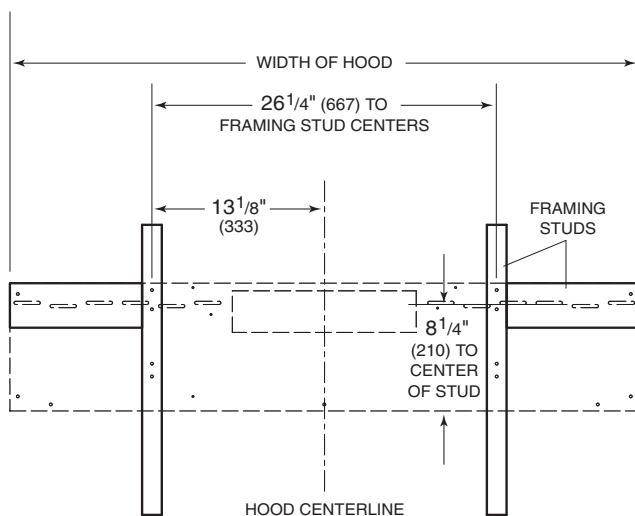
NOTE: Horizontal discharge requires an accessory kit.

### Low-Profile Wall Hoods

#### WALL PREPARATION

Minimum 2" (51) x 4" (102) lumber is required to construct wall framing. Refer to the illustration below for mounting hole locations and a cross-section view of a typical installation.

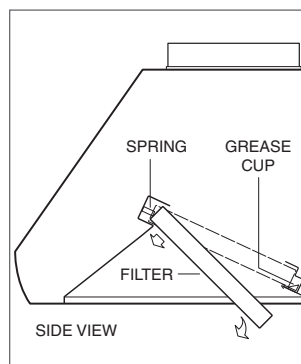
**⚠ WARNING**  
Framing must be able to support the weight of the hood and internal blower, if applicable.



Wall framing.

#### HOOD PREPARATION

To remove filters, press upward then rotate bottom outward. Refer to the illustration below. To aid in removal, remove center filter first. Gloves should be worn when handling filters.



Filter removal.

## Low-Profile Wall Hoods

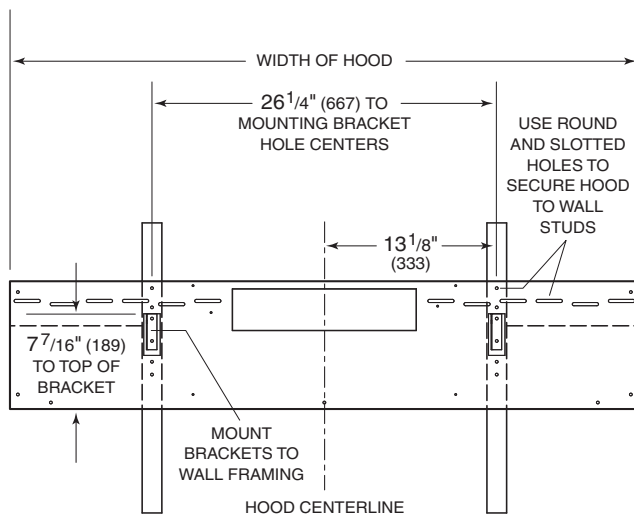
### HOOD INSTALLATION

If a backsplash is being installed, it must be installed prior to mounting the hood.

Install wall mounting brackets. Refer to the illustration below. Position wall hood on brackets in desired location. Insert #10 x 2" (59) screws through the mounting holes on the back plate. Verify the screws engage two wall studs or blocking.

If additional support is required, drill supplementary holes through the back plate and secure with screws.

Refer to page 16 for electrical connection information.



Hood installation.

## 24" and 27" Deep Wall Hoods

### WALL PREPARATION

Minimum 2" (51) x 4" (102) lumber is required to construct wall framing.

#### ⚠ WARNING

Framing must be able to support the weight of the hood and internal blower, if applicable.

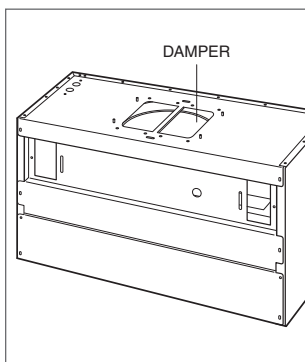
### HOOD PREPARATION

Install internal blower prior to mounting hood (if applicable).

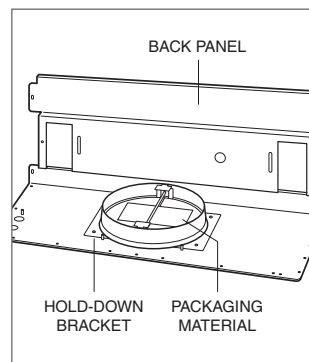
- 1) Hood is shipped with back panel in place. Damper is attached upside down to inside top surface of back panel. Damper must be removed and reinstalled in the proper position. Refer to the illustration below.
- 2) To remove filters, press upward then rotate bottom outward. To aide in removal, remove center filter first. Remove grease cups from bottom edge of hood. Gloves should be worn when handling filters.
- 3) Detach back panel and damper assembly from hood by removing the top and back screws. Do not discard screws.
- 4) Turn assembly over and place on a protected work surface. Separate damper from back panel by removing the hold-down brackets. Do not discard brackets and screws. Refer to the illustration below.

**IMPORTANT NOTE:** Remove packaging material used to prevent flap damage during shipping. Damper will not function properly unless this material is removed prior to mounting the hood.

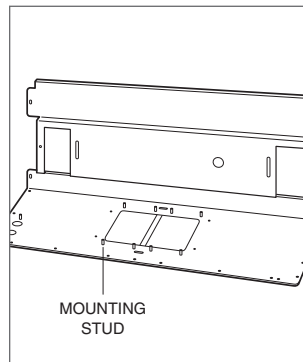
- 5) For internal blowers, mount blower to mounting studs using nuts supplied with blower. Refer to the illustration below.
- 6) Turn back panel assembly upright and reattach using screws previously removed.
- 7) Mount damper and two hold-down brackets to the top of the hood. Damper drops into place and damper tongues drop into slots on the back panel. Hold-down brackets clamp on the damper groove overhang. Secure hold-down brackets using two screws per bracket. Refer to the illustration below. Seal with aluminum tape or high temperature duct tape to ensure a tight seal.



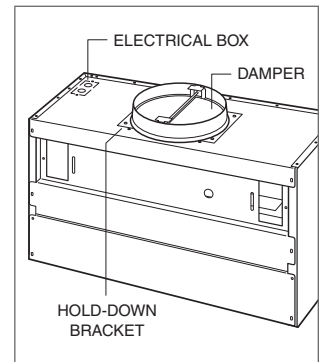
Damper inside hood.



Remove damper.



Mounting stud location.



Mount damper.

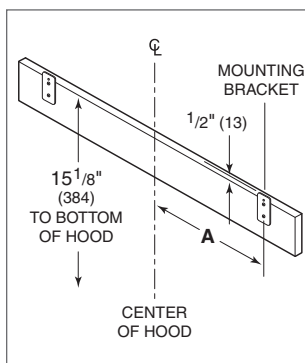
## 24" and 27" Deep Wall Hoods

### HOOD INSTALLATION

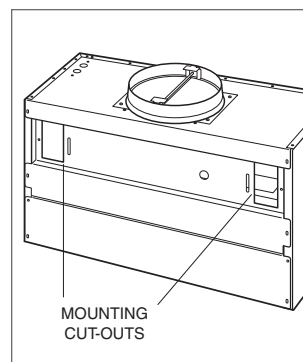
- 1) Attach the wood mounting support provided with the hood. Refer to the illustration below. The mounting support should be centered within the desired location of the hood. Use 3" (76) screws provided to attach the mounting support to the wall.
- 2) Install mounting brackets to mounting support. Refer to the chart and illustration below. Use #10 X 1 1/2" (38) screws and washers provided to secure the brackets. Brackets should be mounted 1/2" (13) above the mounting support.

- 3) Align cut-outs on the back of the hood with the mounting brackets. Refer to the illustration below.
- 4) Position the hood and install #10 x 1 1/2" (38) screws and washers provided through the cut-outs. If additional support is required, drill supplementary mounting holes in the back panel and use these holes to attach the hood assembly to wall framing. Verify screws engage the mounting support.
- 5) Connect damper to duct using sheet metal screws and aluminum tape or high temperature duct tape. Verify screws do not affect operation of the damper.

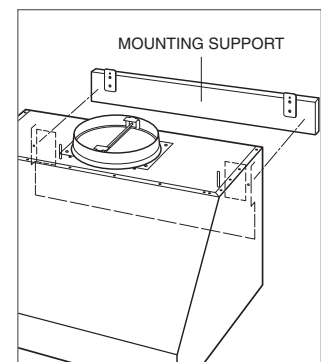
Mounting Support Location	
WIDTH OF HOOD	A
30" (762)	11 3/4" (298)
36" (914)	12 1/4" (311)
42" (1067)*	15 1/4" (387)
48" (1219)*	18 1/4" (464)
54" (1372)*	21 1/4" (540)
60" (1524)*	24 1/4" (616)
66" (1676)*	27 1/4" (692)



Mounting support.



Location of cut-outs.



Hood installation.

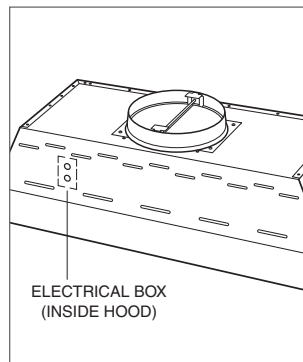
## Electrical Connection

### ⚠ WARNING

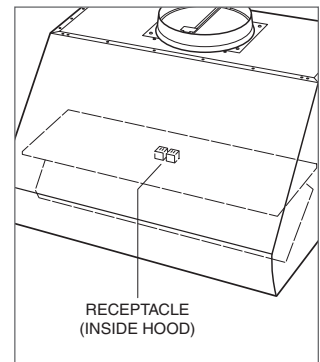
Before making electrical connections, make sure the electrical power is turned off at the service panel.

**IMPORTANT NOTE:** Refer to specific installation instructions provided with each blower assembly for additional mounting and wiring instructions.

- 1) Remove the electrical box cover from inside the hood. Insert Romex® from service panel (and Romex® from in-line or remote blower, if applicable) through the back of the hood and into the electrical box. Secure with an appropriate electrical connector. Refer to the illustration below.
- 2) Use wire connectors provided to connect black to black, white to white and green to green/bare wire. For in-line and remote blowers, attach the cord assembly to Romex® from the blower.
- 3) Place all wiring connections inside the electrical box and reinstall electrical box cover. Verify all wires are secure and not pinched between cover.
- 4) Insert cord assembly plug into hood receptacle. Refer to the illustration below. Turn on power and check operation.



Location of electrical box.



Location of receptacle.



## Complete the Installation

### FILTER INSTALLATION

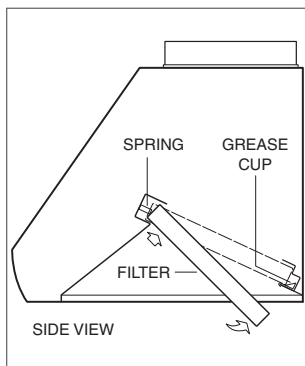
To install filters, press upward then rotate bottom outward. The filter vanes should be placed perpendicular to the front of the hood. Refer to the illustration below. To aide in removal, remove center filter first. Gloves should be worn when handling filters.

### LIGHT BULB INSTALLATION

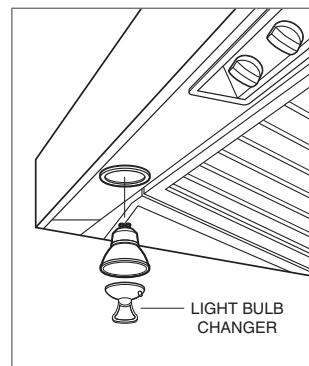
A suction-cup-style light bulb changer is provided with pro ventilation hoods. Use the changer to push the bulb into the receptacle and rotate counterclockwise one-quarter turn. Refer to the illustration below.

### WOLF LOGO

To install the Wolf logo, clean the mounting area with rubbing alcohol. Remove paper backing from the logo, position parallel with the bottom of the hood and press to place.



Filter installation.



Light bulb installation.

## Troubleshooting

**IMPORTANT NOTE:** If the pro ventilation hood does not operate properly, follow these troubleshooting steps:

- Verify electrical power is supplied to the appliance.
- Verify all packaging material has been removed.
- If the appliance does not operate properly, contact Wolf factory certified service. Do not attempt to repair. Wolf is not responsible for service required to correct a faulty installation.

## Service Information

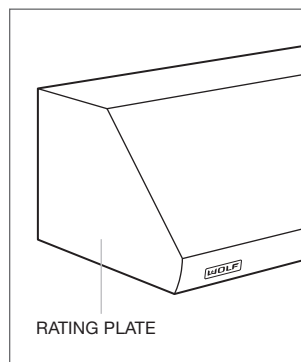
If service is necessary, maintain the quality built into your pro ventilation hood by contacting Wolf factory certified service.

For the name and number of Wolf factory certified service nearest you, check the contact & support section of our website, [wolfappliance.com](http://wolfappliance.com) or call Wolf customer care at 800-222-7820.

When calling for service, you will need the model and serial numbers of the ventilation hood. This information is found on the product rating plate, located inside the left wall of the hood. Refer to the illustration below.

### ⚠ WARNING

Before servicing or cleaning, switch power off at the service panel and lock the service disconnecting means to prevent power from being switched on accidentally. If it cannot be locked, securely fasten a prominent warning tag, to the service panel.



Location of rating plate  
(inside hood).



The information and images in this guide are the copyright property of Wolf Appliance, Inc. Neither this guide nor any information or images contained herein may be copied or used in whole or in part without the express written permission of Wolf Appliance, Inc. ©Wolf Appliance, Inc. all rights reserved.

Wolf, Wolf & Design, Wolf Gourmet, W & Design and the color red as applied to knobs are registered trademarks and service marks of Wolf Appliance, Inc. Sub-Zero, Sub-Zero & Design, Dual Refrigeration, Constant Care and The Living Kitchen are registered trademarks and service marks of Sub-Zero, Inc. (collectively, the "Company Marks.") All other trademarks or registered trademarks are property of their respective owners in the United States and other countries.



WOLF APPLIANCE, INC. P. O. BOX 44848 MADISON, WI 53744 WOLFAPPLIANCE.COM 800.222.7820

821378 REV-A

8/2012

