

INSTALLATION GUIDE

Pro Island Ventilation Hoods

READ AND SAVE THESE INSTRUCTIONS



Contents

Wolf Pro Island Ventilation Hoods	3
Safety Instructions	4
Installation Considerations	5
Pro Island Hood Specifications	6
Pro Island Hood Installation	8
Service Information	18

Features and specifications are subject to change at any time without notice. Visit wolfappliance.com/specs for the most up-to-date information.

IMPORTANT NOTE: Throughout this guide, dimensions in parentheses are millimeters unless otherwise specified.

Important Note

To ensure the safe and efficient use of Wolf equipment, please take note of the following types of highlighted information throughout this guide:

IMPORTANT NOTE highlights information that is especially important.

CAUTION signals a situation where minor injury or product damage may occur if instructions are not followed.

WARNING states a hazard that may cause serious injury or death if precautions are not followed.



Pro Island Hood Installation

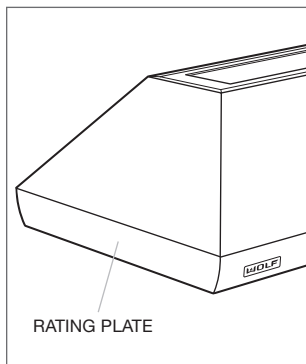
IMPORTANT NOTE: This installation must be completed by a qualified installer or Wolf authorized service center technician.

Read this entire installation guide prior to installation and save for the local inspector's reference. The homeowner should keep this installation guide for future reference.

This appliance must be installed in accordance with National Electrical Codes, as well as all state, municipal and local codes. The correct voltage, frequency and amperage must be supplied to the appliance from a dedicated, grounded circuit which is protected by a properly sized circuit breaker or time delay fuse. The proper voltage, frequency, and amperage ratings are listed on the product rating plate.

Record the model and serial numbers before installing the ventilation hood. Both numbers are listed on the product rating plate, located inside the left wall of the hood shell. Refer to the illustration below.

Wolf Pro Island Hood
Model Number
Serial Number



Location of rating plate (inside hood).

IMPORTANT INSTRUCTIONS

TO REDUCE THE RISK OF FIRE, ELECTRIC SHOCK OR INJURY, OBSERVE THE FOLLOWING:

- Installation work and electrical wiring must be done by qualified person(s) in accordance with all applicable codes and standards, including fire-rated construction.
- Two installers are recommended due to the size and weight of the pro ventilation hood.
- Install the pro ventilation hood only with a blower manufactured by Wolf.
- When cutting or drilling into wall or ceiling, do not damage electrical wiring and other hidden utilities.
- Ducted fans must always be vented to the outdoors.

⚠ CAUTION

To reduce the risk of fire and properly exhaust air, be certain to duct air outside. Do not vent exhaust air into spaces within walls or ceilings or into attics, crawl spaces or garages.

⚠ CAUTION

The hood motor has a thermal overload which will automatically shut off the motor if it becomes overheated. The motor will restart when it has cooled down. If the motor continues to shut off and restart, have the hood serviced.

⚠ WARNING

TO REDUCE RISK OF RANGE TOP GREASE FIRE:

- A) Never leave surface units unattended at high settings. Boilovers cause smoking and greasy spillovers that may ignite. Heat oils slowly on low or medium settings.
- B) Always turn the ventilation hood on when cooking at high heat or when flambeing foods such as crepes suzette or cherries jubilee.
- C) Clean ventilation fans frequently. Grease should not be allowed to accumulate on fan or filter.
- D) Use proper pan size. Always use cookware appropriate for the size of the surface burner.

TO REDUCE THE RISK OF INJURY TO PERSONS IN THE EVENT OF A RANGE TOP GREASE FIRE, OBSERVE THE FOLLOWING:

- Smother flames with close-fitting lid, cookie sheet, or metal tray, then turn off the burner. Be careful to prevent burns. If the flames do not go out immediately, evacuate and call the fire department.
- Never pick up a flaming pan—you may be burned.
- Do not use water, including wet dishcloths or towels—a violent steam explosion will result.

USE AN EXTINGUISHER ONLY IF:

- You know you have a class ABC extinguisher and you already know how to operate it.
- The fire is small and contained in the area where it started.
- The fire department is being called.
- You can fight the fire with your back to an exit (NFPA fire safety tips).

Installation Considerations

Wolf pro ventilation hoods are recommended for use with all Wolf cooking appliances. Island hoods should be larger than the cooking surface by 3" (76) on each side. The ventilation hood should be installed 30" (762) to 36" (914) above the countertop.

- Proper installation is the responsibility of the installer. Product failure due to improper installation is not covered under the Wolf warranty. Refer to the Wolf pro ventilation hoods use & care guide for warranty details, or visit the contact & support section of our website, wolfappliance.com.
- Make sure you have the tools and materials necessary for proper installation.
- Warranty service must be performed by a Wolf authorized service center. Wolf is not responsible for service required to correct a faulty installation.

MATERIALS INCLUDED WITH HOOD:

- Transition with backdraft damper—attached inside hood (needs to be removed)
- Two control knobs
- Filters and grease cups (installed in hood)
- Installation package and hardware
- Installation guide, use & care guide and product registration card
- Wolf logo nameplate

⚠ CAUTION

When performing installation, servicing or cleaning the ventilation hood, it is recommended that safety glasses and gloves be worn.

BLOWER ASSEMBLIES

Wolf pro ventilation hoods are shipped without the blower assembly. Internal, in-line and remote blowers are available through your authorized Wolf dealer. For local dealer information, visit the find a showroom section of our website, wolfappliance.com.

The blower will vary in size and is dictated by the cooking surface, the volume of air that needs to be moved and the length of the duct run. Refer to ventilation recommendations in the Wolf design guide.

IMPORTANT NOTE: Use only a Wolf blower with the pro ventilation hood.

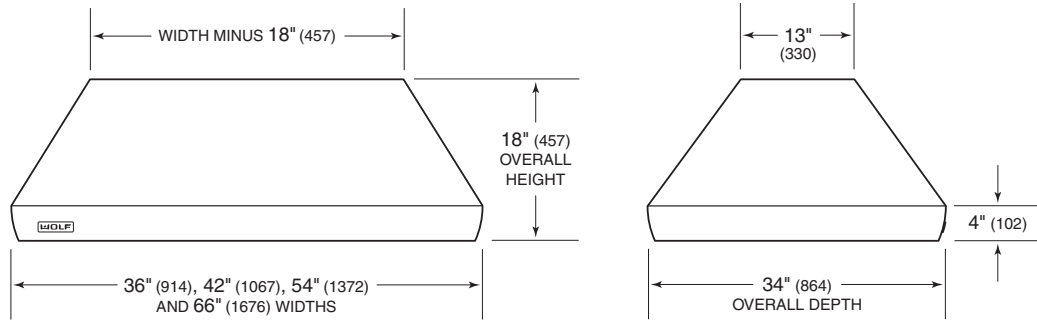
DUCT COVER

Optional stainless steel duct covers are available in a variety of heights for all pro ventilation hoods through your authorized Wolf dealer. For local dealer information, visit the find a showroom section of our website, wolfappliance.com.

IMPORTANT NOTE: Installing a duct cover will impact all aspects of the hood installation including hood location, ducting, electrical placement and the mounting surface.

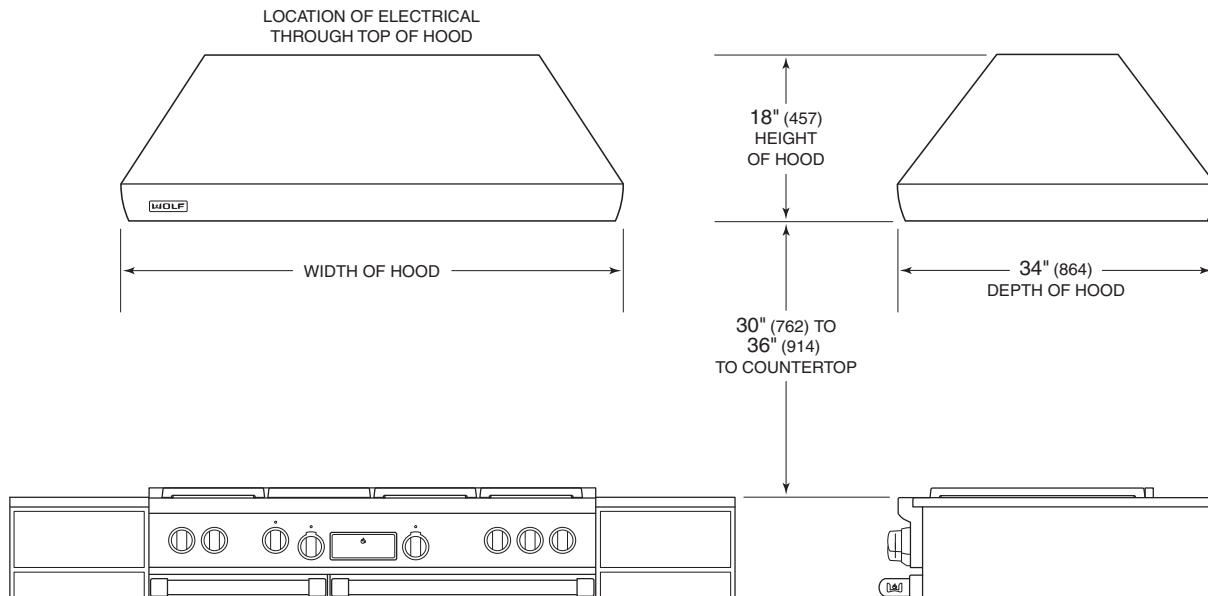
Overall Dimensions

PRO ISLAND HOODS



Installation Specifications

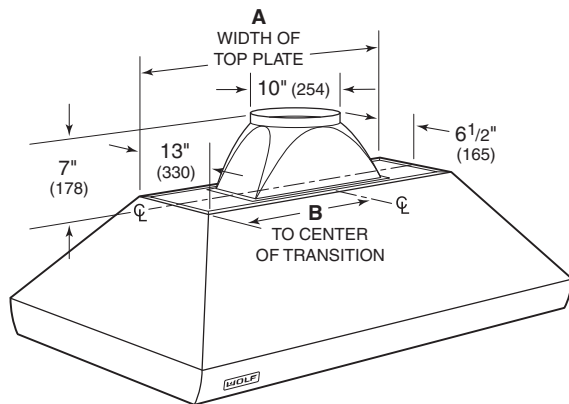
PRO ISLAND HOODS



Installation Specifications

The illustration below provides dimensions critical for proper installation of the pro island hood. Dimensions A and B in the illustration will vary with the width of the hood. Refer to the chart below.

Pro Island Hoods		
WIDTH OF HOOD	A	B
36" (914)	18" (457)	9" (228)
42" (1067)	24" (610)	12" (304)
54" (1371)*	36" (914)	18" (457)
66" (1676)*	48" (1219)	24" (610)



Pro island hoods.

Electrical Requirements

Wolf pro ventilation hoods require a separate, grounded 120 V AC, 60 Hz power supply. The service should have its own 15 amp circuit breaker. Locate the electrical supply in the ceiling through the top of the island hood. Refer to the installation specifications illustration on the previous page.

IMPORTANT NOTE: You must follow all National Electrical Code regulations. In addition, be aware of local codes and ordinances when installing your service.

⚠ WARNING

Risk of electrical shock. This ventilation hood must be properly grounded. Electrical service for the hood must be installed by a qualified electrician in accordance with all applicable national and local electrical codes.

Install Ductwork

⚠ WARNING

To reduce the risk of fire, use only metal ductwork.

IMPORTANT NOTE: Pro ventilation hoods must exhaust to the outdoors.

Wolf recommends that the pro island hood be installed 30" (762) to 36" (914) above the countertop. Consult a qualified HVAC engineer for specific ducting applications.

A 10" (254) round duct is recommended for pro ventilation hoods. Use only rigid metal ductwork, do not use flex ducting.

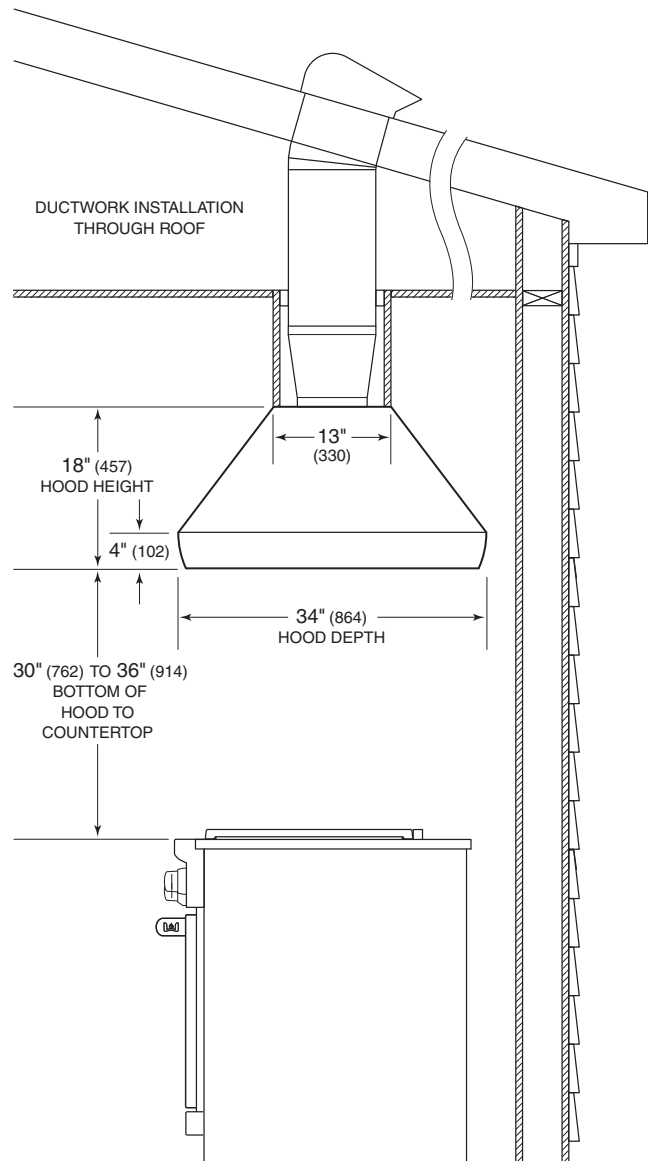
Decide where the ductwork will run between the island hood and the outside. Pro island hoods have a vertical discharge. A straight, short duct run will allow the ventilation hood to perform most efficiently. Limit the number of elbows and transitions. The duct run should be no longer than 50' (15 m). There is a possibility of noise issues, if a remote blower is used with a short duct run.

Unless you are using a remote blower, a roof or wall cap must be installed. Connect 10" (254) round metal ductwork to the cap and work back towards the hood. Use duct sealing tape to seal joints between ductwork sections.

Pro island hoods have a backdraft damper included in the transition assembly. Local codes may require the use of an additional backdraft damper. Contact your local HVAC professional for specific requirements. In cold weather installations, a backdraft damper is necessary to minimize the backflow of cold air into the room.

Local building codes may require the use of make-up air. Consult your local HVAC professional for specific requirements in your area.

PRO ISLAND HOODS



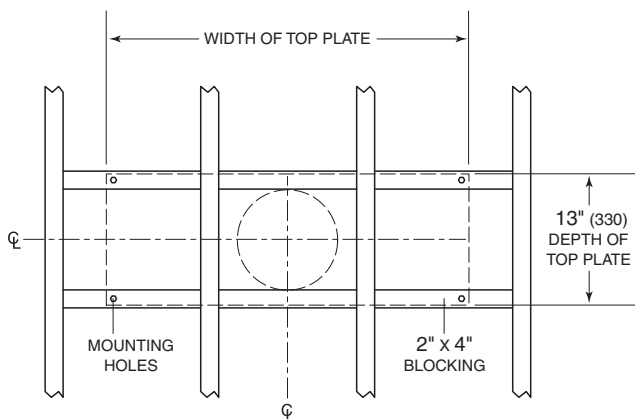
Ceiling Framing

IMPORTANT NOTE: A minimum 10" (254) opening in the ceiling is required to accommodate the ductwork necessary for proper ventilation.

- 1) Layout dimensions of the top plate of the hood (or top of duct cover) on the ceiling. The top plate dimensions will vary with the width of the island hood. Refer to the illustration and chart on page 7.
- 2) Construct the ceiling framing using minimum 2" x 4" lumber. Proper structural support is required to accommodate the weight of the hood.
- 3) Mark the center location of the hood. Install 2" x 4" blocking between ceiling joists. Refer to the illustration below.
- 4) Drill four $\frac{5}{32}$ " diameter holes in the framing to match mounting holes in the top plate of the hood (or top of duct cover).

⚠ WARNING

Framing must be fastened together and to ceiling joists to provide enough structural strength to support the weight of the hood and internal blower, if applicable.



Ceiling framing.

Duct Cover

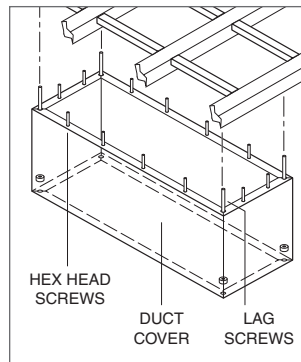
IMPORTANT NOTE: If an optional duct cover is to be used with the pro island hood, it must be attached before installing the hood.

⚠ CAUTION

Installing a duct cover will impact all aspects of the hood installation, including hood location, ducting, electrical placement and the mounting surface.

DUCT COVER INSTALLATION

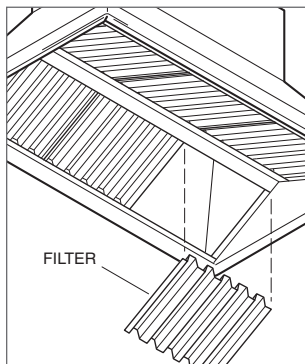
- 1) Use the four 1/4" x 3" (76) lag screws and washers (provided with hood) to attach the duct cover to ceiling framing. The width of the duct cover should be the same as the top plate of the island hood. Refer to the illustration and chart on page 7.
- 2) Install additional #10 x 2" (51) hex head screws (provided with hood) along the top edge of the duct cover for support. Refer to the illustration below.
- 3) Proceed with hood preparation and installation.



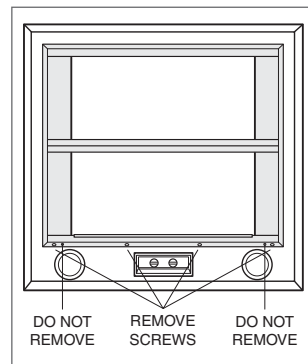
Duct cover installation.

Hood Preparation

- 1) Remove the filters of the pro island hood by pushing each filter up at the angle it is placed in, and rotate the bottom of the filter down. Refer to the illustration below. Gloves should be worn when handling filters.
- 2) Slide the grease cups out from the bottom edges of the front and back of the hood.
- 3) Using a Phillips screwdriver, remove the screws retaining the hood's internal frame shown in the shaded area of the illustration below. Be sure to leave the other two screws in place. Do not discard the screws. They will be used to reinstall the internal frame after installation is complete. Remove the internal frame from the hood and set aside.
- 4) The hood assembly is shipped with the transition attached. The transition is shipped upside down in the top of the hood and must be removed and reinstalled in the proper position. Separate the transition from the hood assembly by removing the four shipping screws. Invert and reattach the transition to the hood with the shipping screws.
- 5) If you are installing an in-line or remote blower, punch out the knockout hole located on the top of the hood. Install a wire clamp (provided with hood) for the remote blower cable. Install another wire clamp in the hole on top of the hood for the Romex® wire. Refer to the in-line and remote blowers section on page 16 and follow installation instructions provided with the blower.



Remove filters.



Internal frame.

Hood Installation

⚠ CAUTION

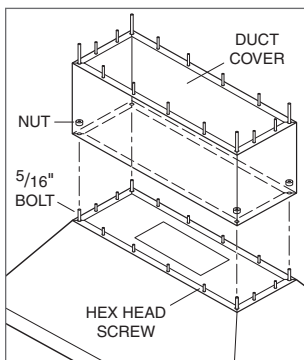
Due to the weight of the hood, be sure to have adequate assistance for installation.

IMPORTANT NOTE: If an optional duct cover is to be used, it must be installed before installing the island hood. Refer to duct cover installation on page 10.

The filters and internal frame must be removed from the hood prior to installation. Refer to hood preparation on the previous page.

INSTALLATION WITH DUCT COVER

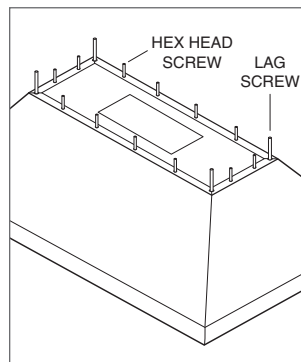
- 1) If a duct cover has been installed, install the four $\frac{5}{16}$ " bolts (provided with duct cover) through the mounting holes on each corner of the hood and into the bottom edge of the duct cover. Attach the duct cover to the hood assembly with the #12 x $\frac{7}{8}$ " (22) self-tapping hex head screws (provided with duct cover). Refer to the illustration below.
- 2) Connect the 10" (254) round ductwork to the transition using sheet metal screws and duct sealing tape.
- 3) If you are installing an internal blower, do not reinstall the internal frame and filters until blower installation is complete. Refer to internal blower information on page 15.
- 4) Proceed with hood wiring connections.



Installation with duct cover.

INSTALLATION WITHOUT DUCT COVER

- 1) Lift the hood and align the hood mounting holes with the predrilled holes in the ceiling framing. Install the four $\frac{1}{4}$ " x 3" (76) lag screws with the washers (provided with hood) through the mounting holes on each corner of the island hood and into framing. Do not overtighten screws.
- 2) Connect the 10" (254) round ductwork to the transition using sheet metal screws and duct sealing tape.
- 3) Adjust the positioning of the hood if necessary, and tighten the four lag screws until the hood is flush with the ceiling. Install additional #10 x 2" (51) hex head screws (provided with hood) through the remaining mounting holes in the top plate of the hood for additional support. Refer to the illustration below.
- 4) If you are installing an internal blower, do not reinstall the internal frame and filters until blower installation is complete. Refer to internal blower information on page 15.
- 5) Proceed with hood wiring connections.



Installation without duct cover.

Blower Assemblies

Pro ventilation hoods are shipped without the blower assembly. Internal, in-line and remote blowers are available through your authorized Wolf dealer. For local dealer information, visit the find a showroom section of our website, wolfappliance.com.

The blower will vary in size and is dictated by the cooking surface, the volume of air that needs to be moved and the length of the duct run. Refer to ventilation recommendations in the Wolf design guide.

IMPORTANT NOTE: Use wire connectors or wire nuts approved by UL or C/UL.

⚠ CAUTION
To reduce the risk of fire and electric shock, install this ventilation hood only with a blower manufactured by Wolf.

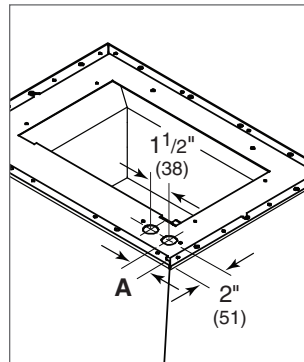
⚠ WARNING
Before making electrical connections, make sure the electrical power is turned off at the service panel.

Internal Blower

WIRING FOR INTERNAL BLOWER

- 1) Remove the hood electrical box cover. Run Romex® wire from a 120 V AC, 15 amp circuit to the hood installation location. Insert the Romex® wire into the electrical box by running it through the wire clamp previously installed. Tighten the wire clamp to secure the wire. Refer to the illustration and chart below for the location of wiring for your specific hood. Do not remove the wire connector on the orange wire in the hood electrical box.
- 2) Using the wire connectors provided, connect black wire to power supply black wire, white wire to power supply white wire and green or bare wire from power supply to green ground screw in the electrical box.
- 3) Place all wiring connections inside the electrical box and reinstall the cover. Make sure all wires are secure and that no wires are pinched between the cover and electrical box.

Location of Hood Wiring	
WIDTH OF HOOD	A
36" (914)	2" (51)
42" (1067)	3" (76)
54" (1371)	4" (102)
66" (1676)	4" (102)



Location of hood wiring.

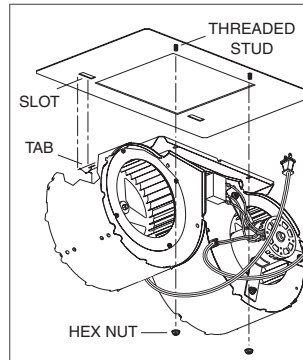
Internal Blower

IMPORTANT NOTE: Refer to specific installation instructions provided with each blower assembly for additional mounting and wiring instructions.

BLOWER INSTALLATION

- 1) Discard the hex nuts provided with the blower.
- 2) Lift the blower assembly into position inside the hood.
- 3) Engage the two tabs on the blower into the two slots in the top plate of the island hood. Secure the blower to the threaded studs with two hex nuts (provided with blower). Refer to the illustration.
- 5) Plug the blower power cords into receptacles located near the center of the hood shell. Use the clips on the interior of the hood to secure excess power cord.
- 6) Once installation of the blower is complete, reinstall the internal frame and filters. Refer to complete the installation on page 17.

IMPORTANT NOTE: Before turning electrical power on to the ventilation hood, make sure the blower is off.



Internal blower.

In-Line and Remote Blowers

WIRING FOR IN-LINE OR REMOTE BLOWER

- 1) Remove the hood electrical box cover. Run Romex® wire from a 120 VAC, 15 amp circuit to the hood installation location. Insert the Romex® wire into the electrical box by running it through the wire clamp previously installed. Tighten the wire clamp to secure the wire. Refer to the illustration and chart on the previous page for the location of wiring for your specific hood.
- 2) Run the blower cable to the installation location. Insert the blower cable into the electrical box by running it through the other wire clamp previously installed. Tighten the wire clamp to secure the cable.
- 3) Cut off the butt crimp connector from the end of orange wire in hood. Strip orange wire about $\frac{3}{8}$ " (10). Using an appropriate wire connector (not included), connect black wire from blower to orange wire in hood.
- 4) Using the wire connectors provided, connect black wire to power supply black wire, all white wires together and green or bare wires from power supply and blower to green ground screw in the electrical box.
- 5) Place all wiring connections inside the electrical box and reinstall the cover. Make sure all wires are secure and that no wires are pinched between the cover and electrical box.

⚠ WARNING

Before making electrical connections, make sure the electrical power is turned off at the service panel.

⚠ WARNING

Do not run wiring through the ductwork.

In-Line and Remote Blowers

BLOWER INSTALLATION

IMPORTANT NOTE: Refer to specific installation instructions provided with each blower assembly for additional mounting and wiring instructions.

Locate the blower so that the length of the duct run and number of elbows and transitions are kept to a minimum. The duct run should be no longer than 50' (15 m). Remote blowers should be located between wall studs or roof rafters. Avoid pipes, wires and other ductwork.

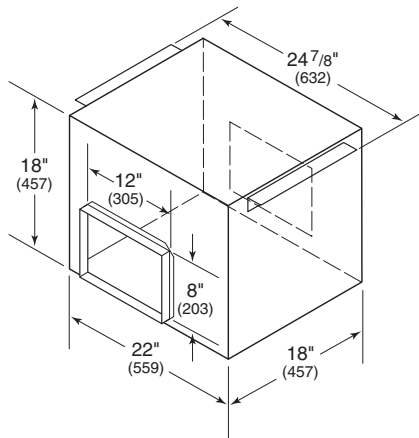
Allow enough space for transitions needed between the blower and connecting ductwork. For best performance, locate transitions nearest the blower.

Refer to the illustrations below for overall dimensions of Wolf in-line and remote blowers. Installation instructions shipped with each Wolf ventilation product provide detailed specifications. These instructions can also be found on our website, wolfappliance.com/specs.

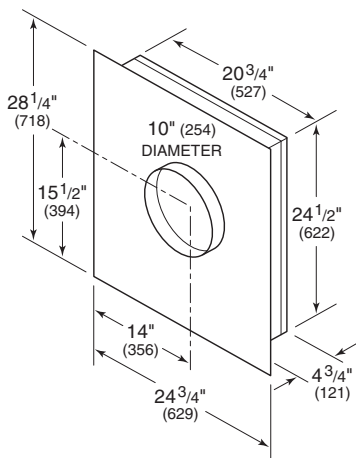
⚠ WARNING

Before making electrical connections, make sure the electrical power is turned off at the service panel.

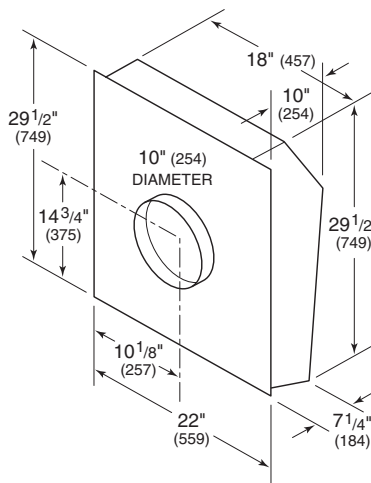
IN-LINE AND REMOTE BLOWER DIMENSIONS



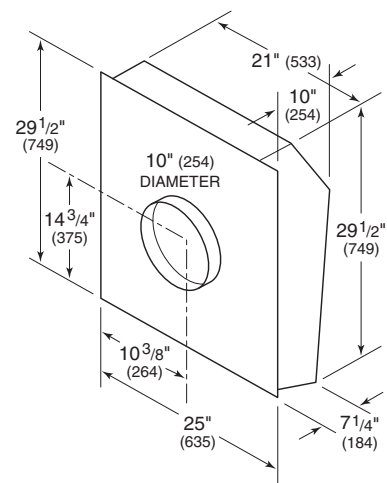
1100 CFM in-line blower.



900 CFM remote blower.



1200 CFM remote blower.



1500 CFM remote blower.

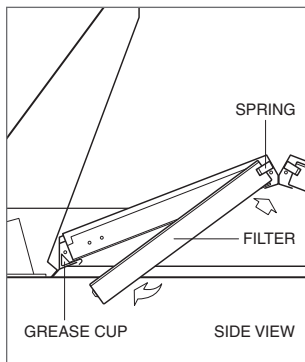
Complete the Installation

INSTALL FILTERS

Reinstall the internal frame on the island hood. Refer to hood preparation on page 11.

Slide the grease cups along the bottom edge of the hood so that the lip of the grease cup overhangs slightly.

To install the filters, orient each filter with lines running vertically. Position the top edge of the filter as shown in the illustration below. While pressing up against the spring, rotate the bottom edge of the filter into position next to the grease cup. Gloves should be worn when handling filters.



Filter installation.

LOGO NAMEPLATE

The Wolf logo nameplate does not come installed on the island hood since there are various locations that the nameplate can be attached.

Once you've decided on the location for the nameplate, clean the mounting area with rubbing alcohol. Remove the backing paper from the nameplate. Position the nameplate aligned parallel with the bottom edge of the hood and press into place.

Troubleshooting

IMPORTANT NOTE: If the pro ventilation hood does not operate properly, follow these troubleshooting steps:

- Verify that electrical power is being supplied to the ventilation hood.
- Check electrical connections to ensure that the installation has been completed correctly.
- Refer to the troubleshooting guide in the Wolf pro ventilation hoods use & care guide.
- If the ventilation hood still does not operate properly, contact a Wolf authorized service center. Do not attempt to repair the ventilation hood yourself. Wolf is not responsible for service required to correct a faulty installation.

Service Information

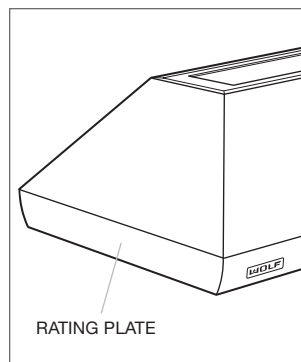
If service is necessary, maintain the quality built into your ventilation hood by calling a Wolf authorized service center.

To obtain the name and number of a Wolf authorized service center, check the contact & support section of our website, wolfappliance.com or call Wolf customer service at 800-332-9513.

When calling for service, you will need the model and serial numbers of the ventilation hood. This information is found on the product rating plate, located inside the left wall of the hood shell. Refer to the illustration below.

⚠ WARNING

Before servicing or cleaning, switch power off at the service panel and lock the service disconnecting means to prevent power from being switched on accidentally. If it cannot be locked, securely fasten a prominent warning tag, to the service panel.



Location of rating plate
(inside hood).



The information and images in this guide are the copyright property of Wolf Appliance, Inc. Neither this guide nor any information or images contained herein may be copied or used in whole or in part without the express written permission of Wolf Appliance, Inc. ©Wolf Appliance, Inc. all rights reserved.

Wolf, Wolf & Design, Wolf Gourmet, W & Design and the color red as applied to knobs are registered trademarks and service marks of Wolf Appliance, Inc. Sub-Zero, Sub-Zero & Design, Dual Refrigeration, Constant Care and The Living Kitchen are registered trademarks and service marks of Sub-Zero, Inc. (collectively, the "Company Marks.") All other trademarks or registered trademarks are property of their respective owners in the United States and other countries.



WOLF APPLIANCE, INC. P. O. BOX 44848 MADISON, WI 53744 WOLFAPPLIANCE.COM 800.332.9513

817001 REV-A

8/2010

