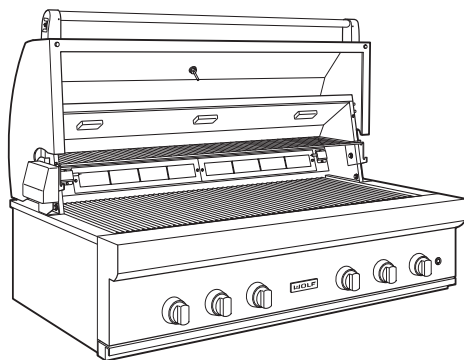


FEATURES

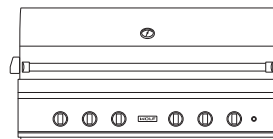
- Built in application only.
- Crafted of heavy-duty stainless steel.
- Each grill burner is individually contained for independent heat control.
- Infrared sear zone—direct heat sears meats to seal in juices.
- Radiant heat from ceramic briquettes mixes with direct heat for more thorough grilling.
- Two-position rotisserie system with infrared burner.
- Stainless steel burner grates provide more heat contact for even grilling.
- Halogen lights illuminate the grilling surface.
- Signature red control knobs are LED lit for night grilling.
- Electric hot surface ignitors operate by pushing in control knobs.
- Double wall hood front for insulation.
- Hood assist system with concealed springs for easy opening and closing.
- Three-position warming rack stows away when not in use.



Model OG54

MODEL OPTIONS

Natural Gas	OG54
LP Gas	OG54-LP



OG54

ACCESSORIES

- Black control knobs.
- Canvas cover.
- Insulating liner.
- Stainless steel doors and drawers for built-in enclosure.

Accessories available through an authorized Wolf dealer. For local dealer information, visit the find a showroom section of our website, wolfappliance.com.

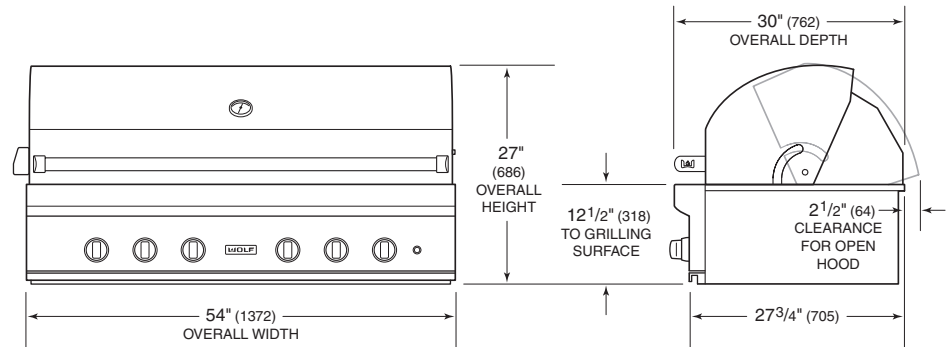
SPECIFICATIONS

PRODUCT	
Dimensions	54"W x 27"H x 30"D
Weight	350 lb
ELECTRICAL	
Supply	120 VAC, 60 Hz
Service	15 amp circuit
GAS	
Supply	3/4" rigid pipe
Inlet	1/2" NPT female

BURNER RATING (Btu)

Grill Burners	25,500
Sear Zone	25,500
Rotisserie (2)	14,000

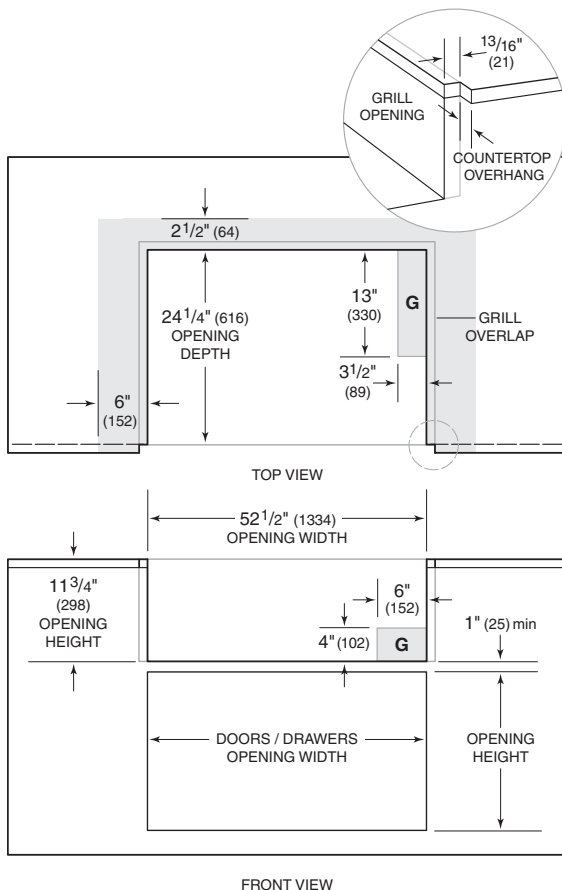
DIMENSIONS



Specifications are subject to change without notice. Visit wolfappliance.com/specs for the most up-to-date information.

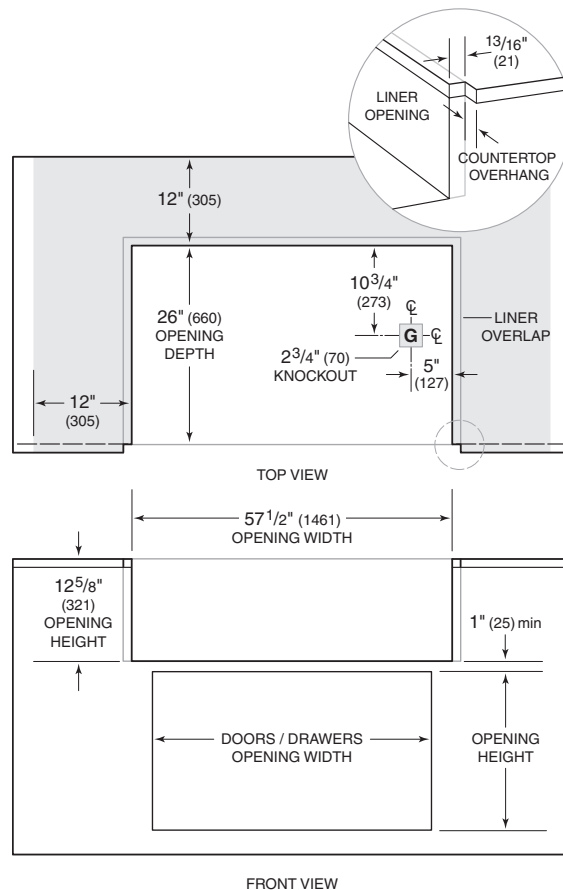
Dimensions may vary $\pm 1/8"$ (3). Dimensions in parentheses are millimeters unless otherwise specified.

INSTALLATION—NON-COMBUSTIBLE ENCLOSURE



NOTE: Shaded area above countertop indicates minimum clearance to combustible surfaces, combustible materials cannot be located within this area.

INSTALLATION—COMBUSTIBLE ENCLOSURE



NOTE: Shaded area above countertop indicates minimum clearance to combustible surfaces, combustible materials cannot be located within this area.